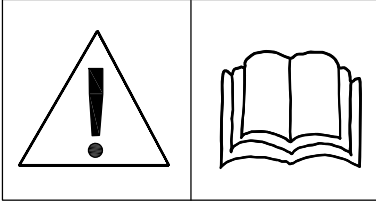


**DANCOVER<sup>®</sup>** .com

Manual  
for  
Retractable Awning w/Half Cassette  
and  
Retractable Awning w/Remote Control

# Precautions and safety warning for installation and operation



ATTENTION, PLEASE READ THE INSTRUCTIONS BEFORE USING THE PRODUCT

Attention! ⚠  
Before opening the awning, make sure all the fixing bolts and security devices are properly installed and tightened.  
Always close the awning during rainy days, windy days or the awning is not in use.  
Failed to observe the instruction may lead to material and constructional damage of the awning.  
The folding arms of the awning are under tension and can cause damage and injury when they are open up suddenly.  
Never try to disassemble the awning or repair the awning by yourself. Consult a competent technician for help.

## Symbol explanation:

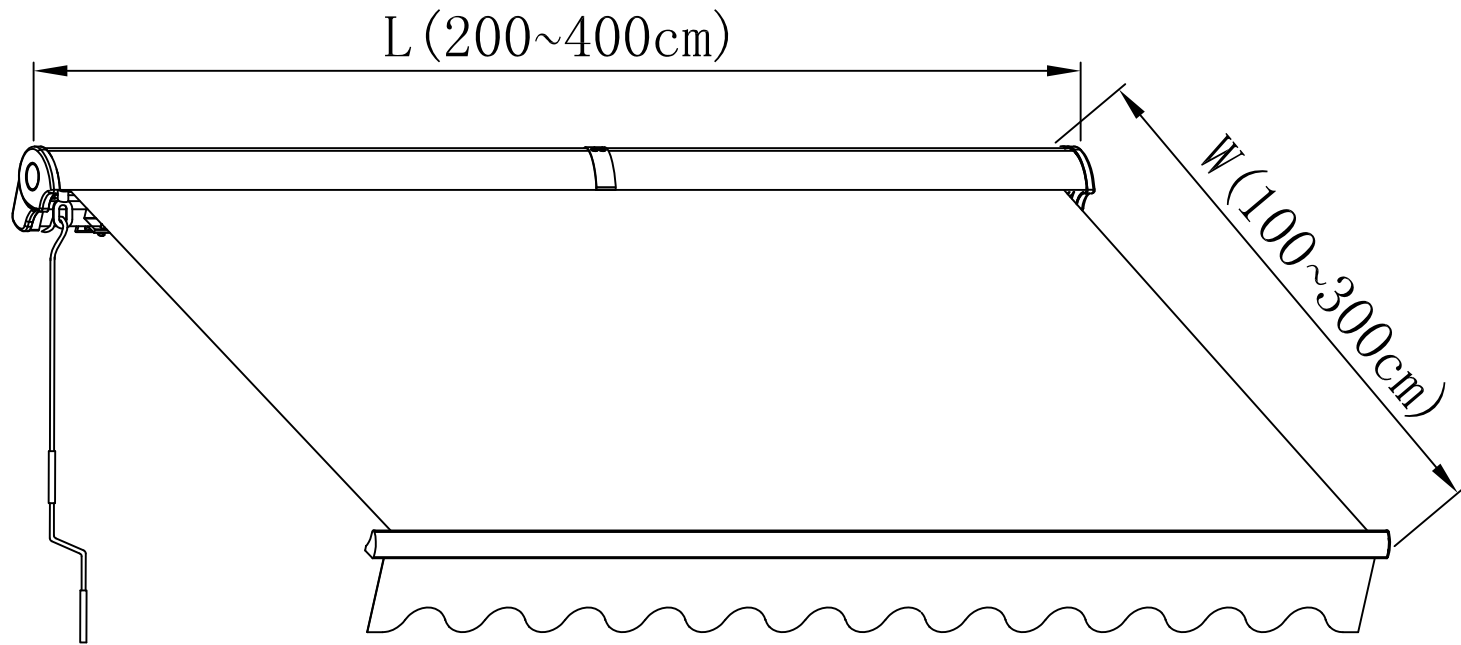
- ⊘ Means it is forbidden
- ⚠ Means important


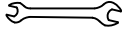
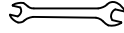
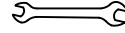
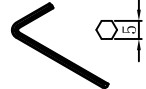
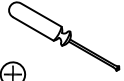
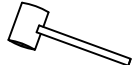

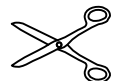

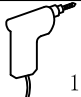
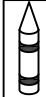
- ⊘ Never install it in high and windy places, as the sunshade may drop and hurt people.
- ⚠ When you are ready to unpack and assemble the awning, make sure that you have the appropriate tools, sufficient operators (2 persons are suggested) and space, and a clean and dry area to perform the installation.
- ⚠ Don't use it in places that have vibrations or impulsions.
- ⚠ The installation can be made by non-professionals assuming the instruction is followed correctly. Should you have any trouble during assembly, please consult a qualified person for help.
- ⚠ Please use all the screws and nuts correctly during installation as it is very dangerous if you leave it loose.
- ⊘ Be careful with your finger during installation.
- ⚠ Don't use it in places of high temperature such as walls near furnaces.
- ⚠ Don't hang anything on the frame or on the folding arms as the awning may fall down and cause damage or personal injury.
- ⊘ Never use it in rainy and windy days.
- ⊘ Never use it for other purposes.
- ⊘ The operation in frosty conditions may damage the awning.
- ⊘ Please close the awning in windy and rainy days.
- ⊘ No modification of the awning in any kind is allowed.
- ⚠ Save enough free space around the awning while rolling or unrolling.
- ⊘ Do not barbecue under the awning or ignite a fire near to the awning.
- ⊘ Do not open the awning when maintenance, such as window cleaning, is being carried out in the vicinity.
- ⚠ Check the awning every 3 months to ensure all fixing are tightened and no damage on the products.
- ⚠ Do not use the awning if repair is needed. Do not try to repair the product by yourself, contact qualified person for repairing.







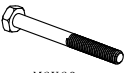
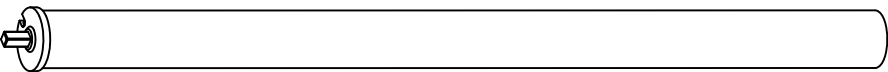
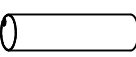

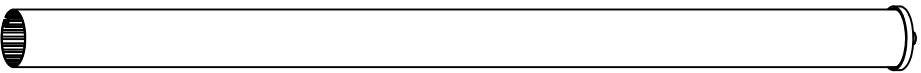





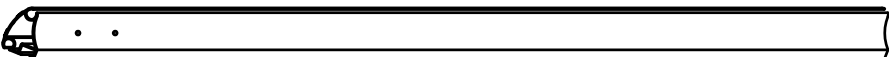

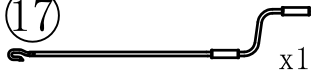


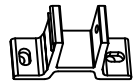
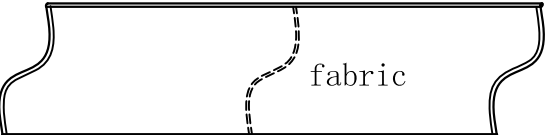
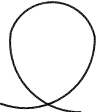

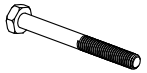




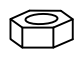


## Instructions before use:

Awning for manual operation: Page 1-20

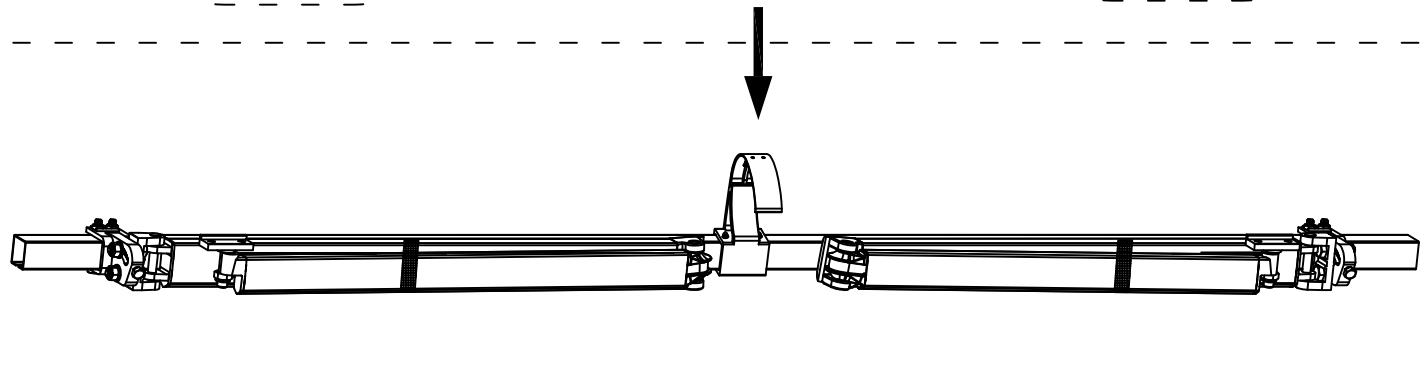
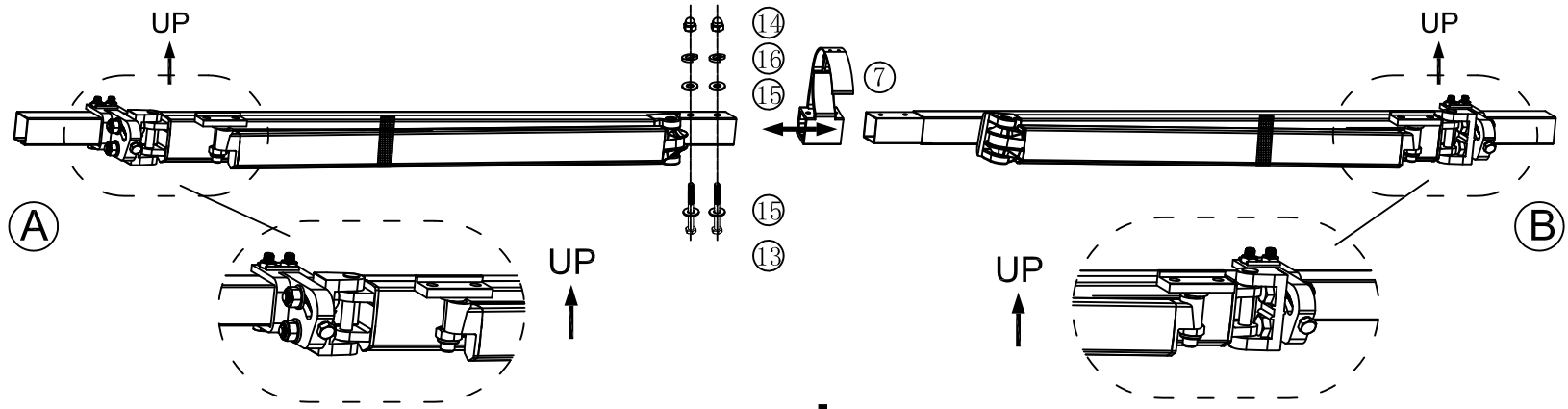
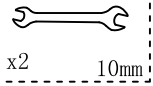
Awning for remote operation: Page 21-26







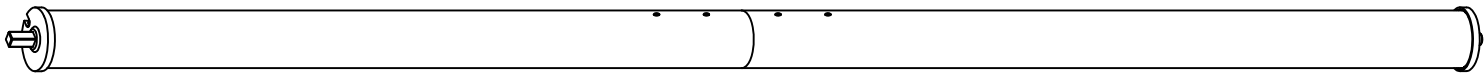
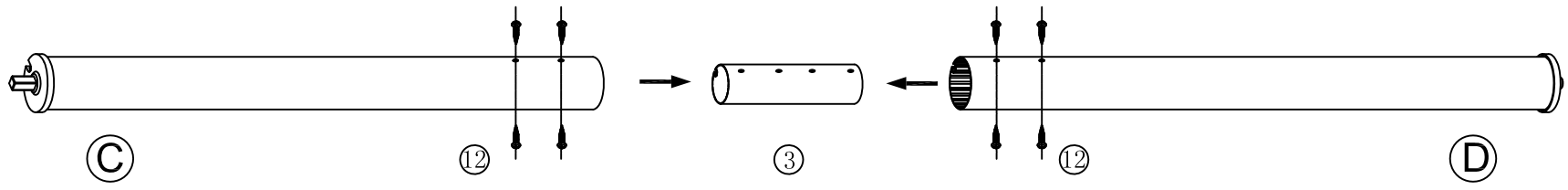
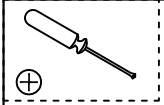
- |   |  |  |  |   |   |   |   |   |   |  |   |
|---|--|--|--|---|---|---|---|---|---|--|---|
|  x2<br>>1.5m |  x2<br>10mm |  13mm |  17mm |  |  ⊕ |  |  >5m |  |  |  14mm |  |
|---|--|--|--|---|---|---|---|---|---|--|---|

<p><b>A</b></p>  <p>x1</p>		<p><b>2 a</b></p>  <p>x1</p>	<p><b>1</b></p>  <p>x1</p> <p><b>12</b></p>  <p>x12+(2) st4. 2X13</p>
<p><b>B</b></p>  <p>x1</p>		<p><b>2</b></p>  <p>x1</p>	<p><b>13</b></p>  <p>x2 M6X60</p>
<p><b>C</b></p>  <p>x1</p>		<p><b>3</b></p>  <p>x1</p>	<p><b>14</b></p>  <p>x2 M6</p>
<p><b>D</b></p>  <p>x1</p>		<p><b>4</b></p>  <p>x1</p>	<p><b>15</b></p>  <p>x4 φ6</p>
<p><b>E1</b></p>  <p>x1</p>		<p><b>5</b></p>  <p>x1</p>	<p><b>16</b></p>  <p>x2 φ6</p>
<p><b>E2</b></p>  <p>x1</p>		<p><b>6</b></p>  <p>x1</p>	<p><b>17</b></p>  <p>x1</p>
<p><b>F</b></p>  <p>x2</p>		<p><b>7</b></p>  <p>x1</p>	<p><b>18</b></p>  <p>x2 (Length:200-350cm) x3 (Length:360-400cm)</p>
<p><b>G</b></p>  <p>x1</p> <p>fabric</p>	<p><b>I</b></p>  <p>x3</p> <p>plactic rope</p>	<p><b>8</b></p>  <p>x2 st4. 2X10</p>	<p><b>19</b></p>  <p>x2 (Length:200-350cm) x3 (Length:360-400cm) M8X60</p>
<p><b>H</b></p>  <p>x1</p>		<p><b>9</b></p>  <p>x2 st2. 9X8</p>	<p><b>20</b></p>  <p>x2 (Length:200-350cm) x3 (Length:360-400cm) φ8</p>
		<p><b>10</b></p>  <p>x4 M5X10</p>	<p><b>21</b></p>  <p>x2 (Length:200-350cm) x3 (Length:360-400cm) M8</p>
		<p><b>11</b></p>  <p>x4 φ5</p>	<p><b>22</b></p>  <p>x4 (Length:200-350cm) x6 (Length:360-400cm) M10x100</p>

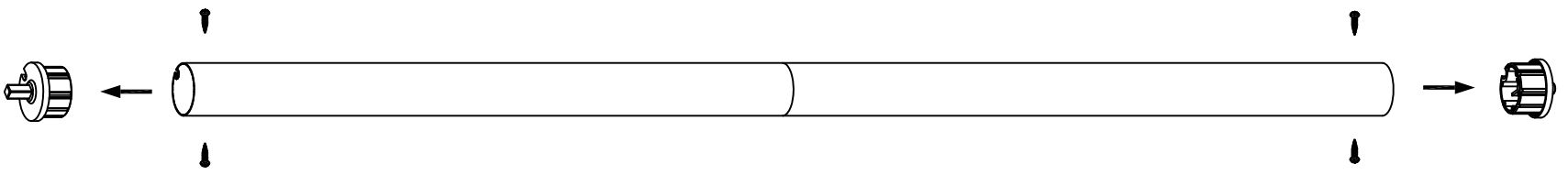
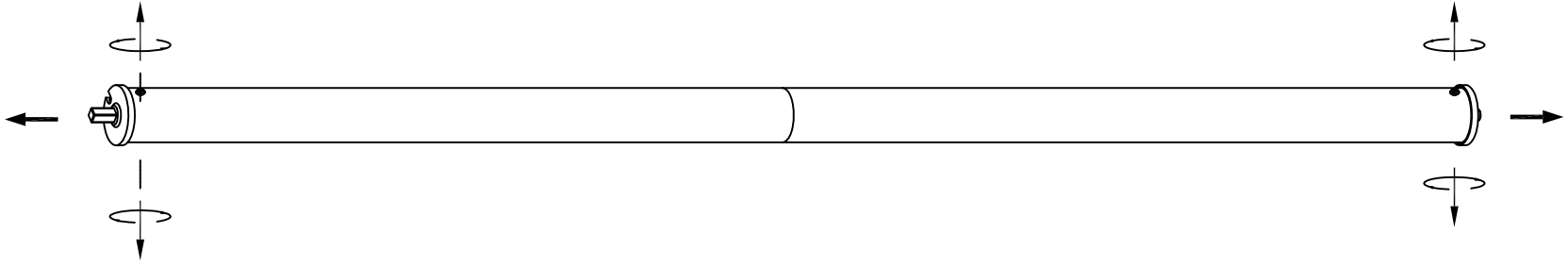
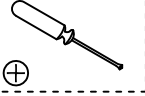
Ⓐ x1	Ⓑ x1	⑦ x1	⑬ x2	⑭ x2	⑮ x4	⑯ x2
------	------	------	------	------	------	------



 <span style="font-size: 2em; vertical-align: middle;">C</span> x1	 <span style="font-size: 2em; vertical-align: middle;">D</span> x1	 <span style="font-size: 2em; vertical-align: middle;">3</span> x1	 <span style="font-size: 2em; vertical-align: middle;">12</span> x8
---	---	---	--

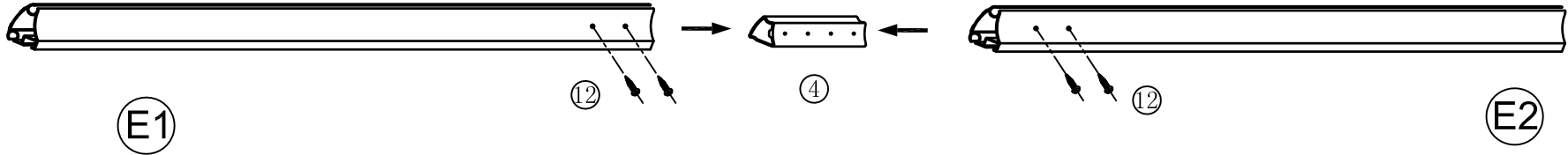
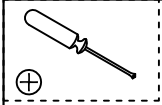


**2** x1



**3**

- |              |              |             |              |
|--------------|--------------|-------------|--------------|
| <b>E1</b> ×1 | <b>E2</b> ×1 | <b>4</b> ×1 | <b>12</b> ×4 |
|--------------|--------------|-------------|--------------|

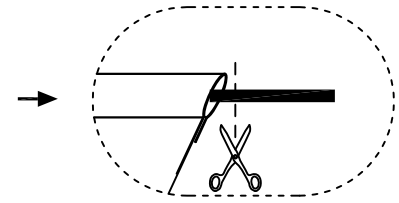
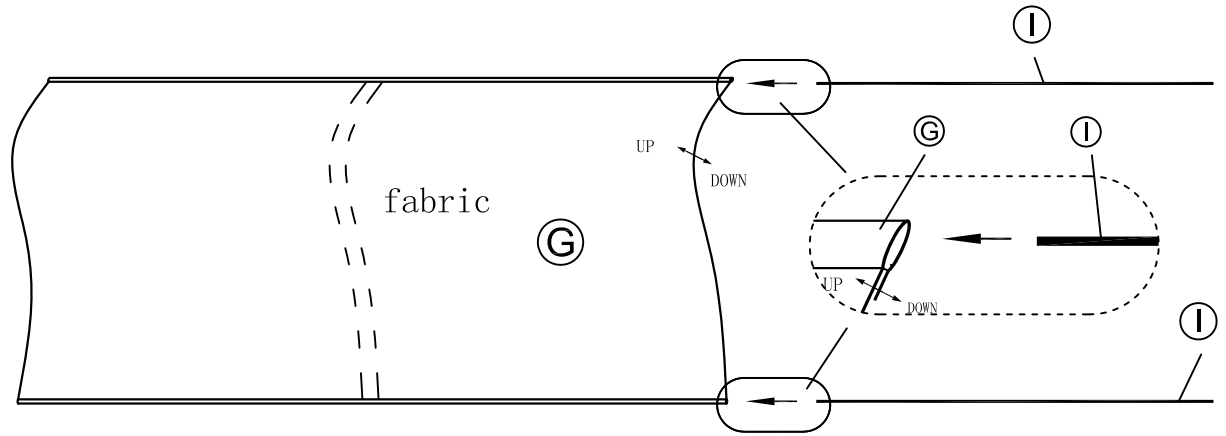




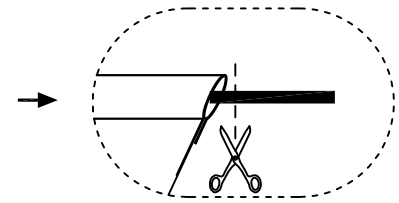
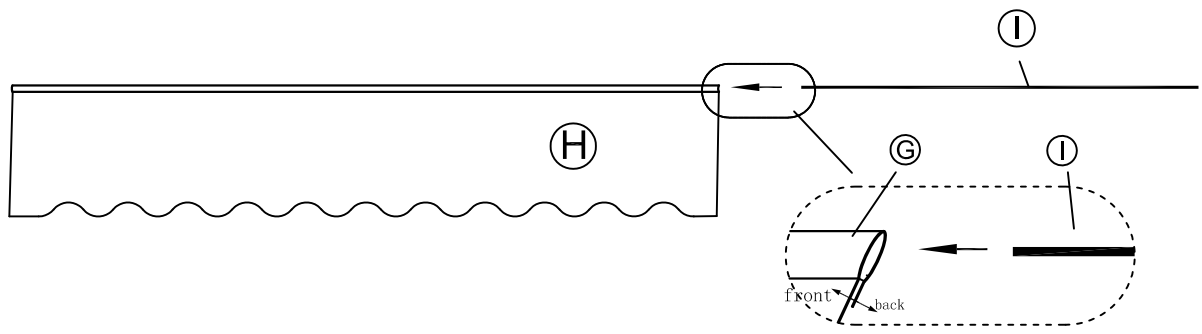
ⓐ x1

ⓑ x1

ⓒ x3



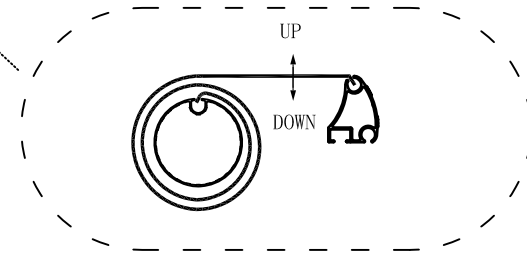
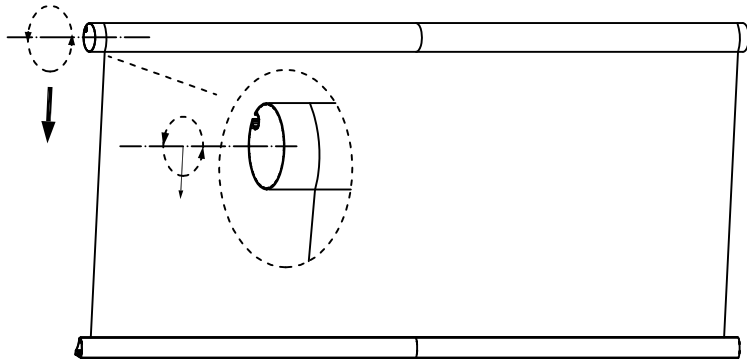
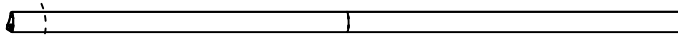
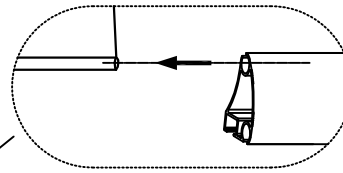
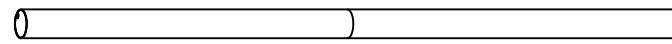
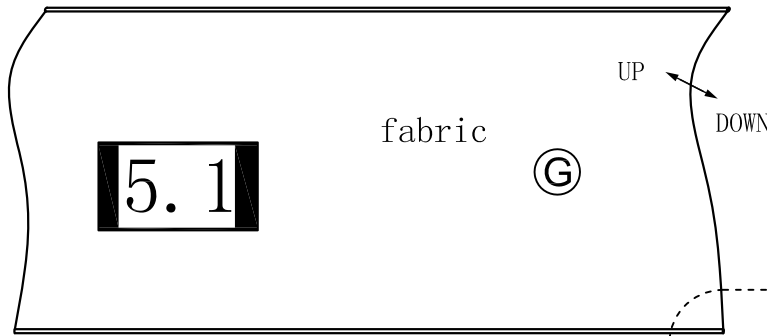
5.1



5.2

**5.1** ×1

**4** ×1



**6**

x1

**3**

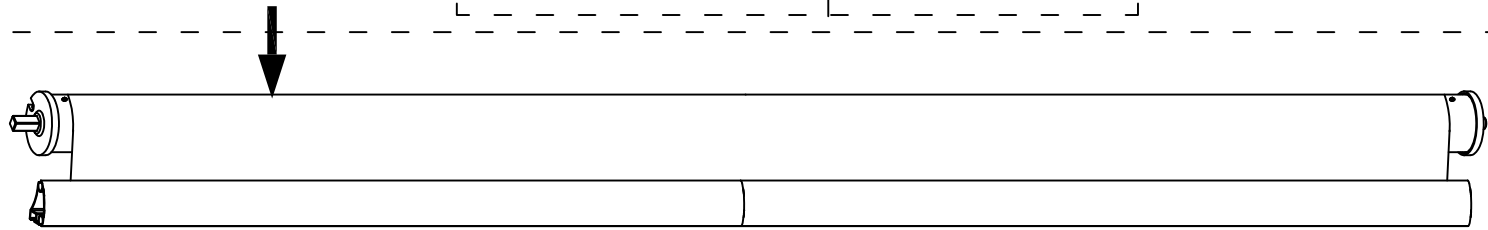
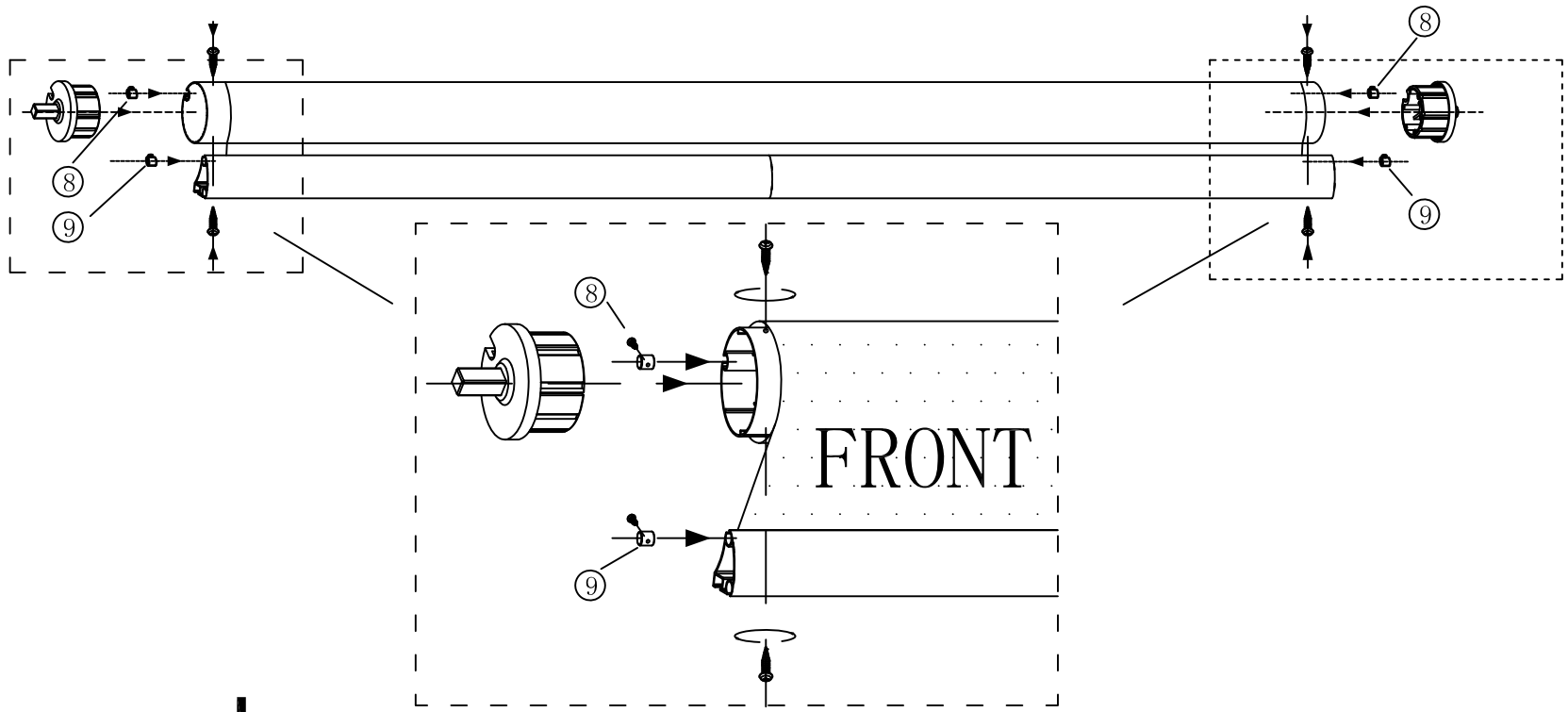
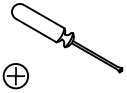
x1

8

x2

9

x2

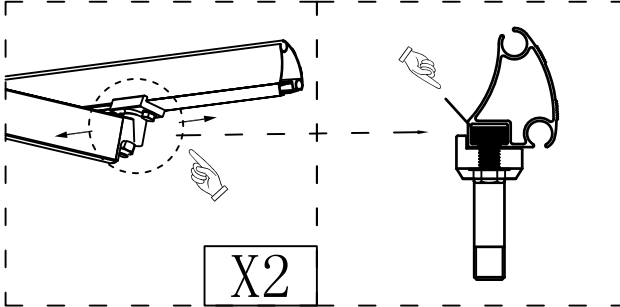
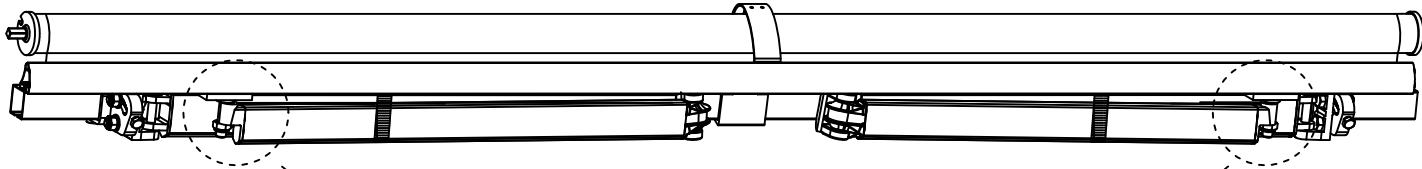
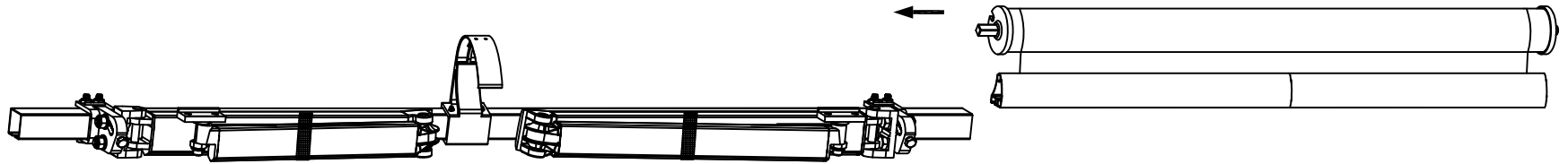


1

x1

7

x1



8

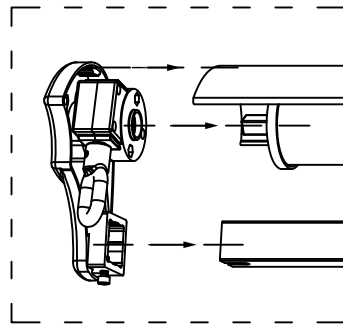
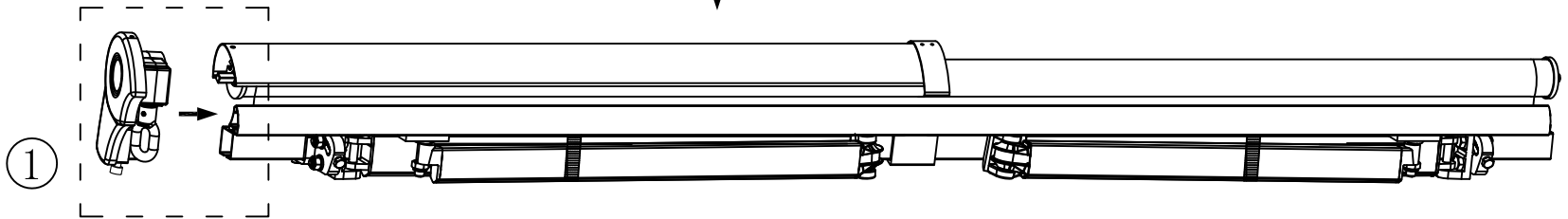
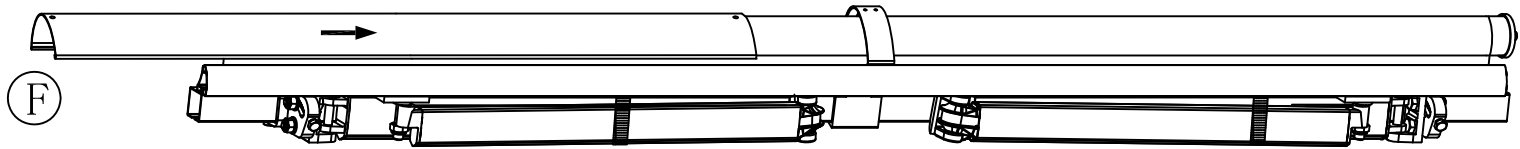
x1

F

x1

1

x1



9

9

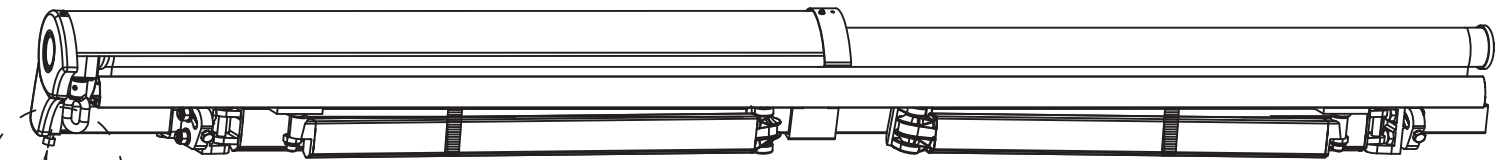
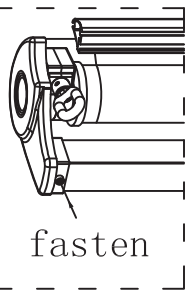
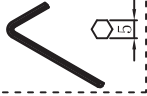
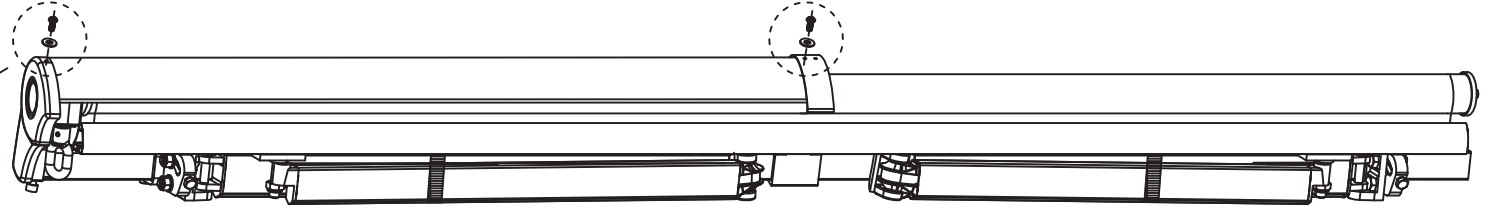
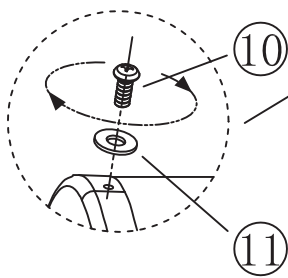
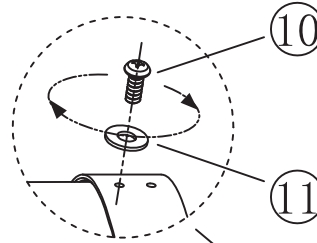
x1

10

x2

11

x2



10

x1

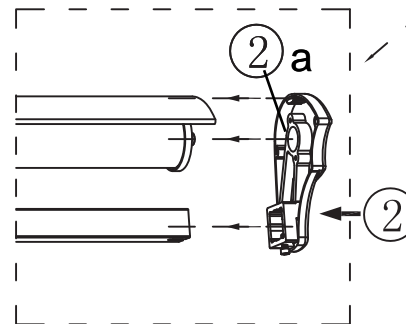
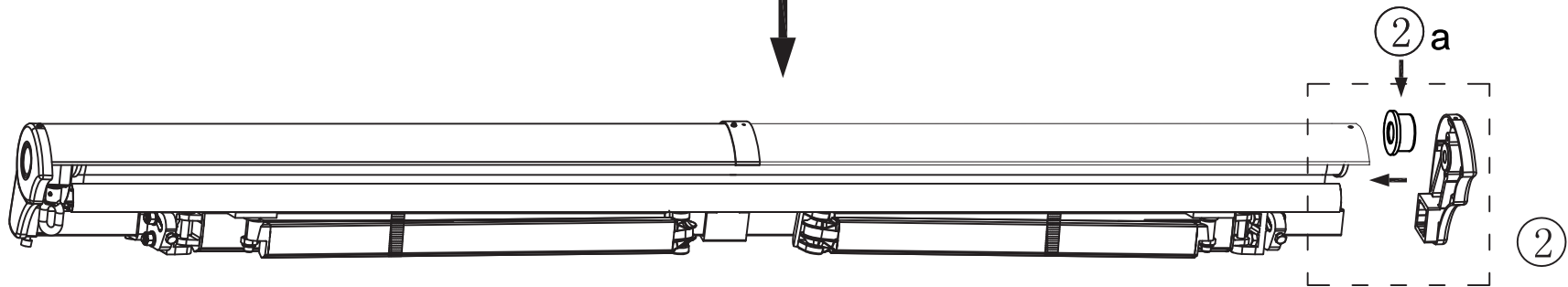
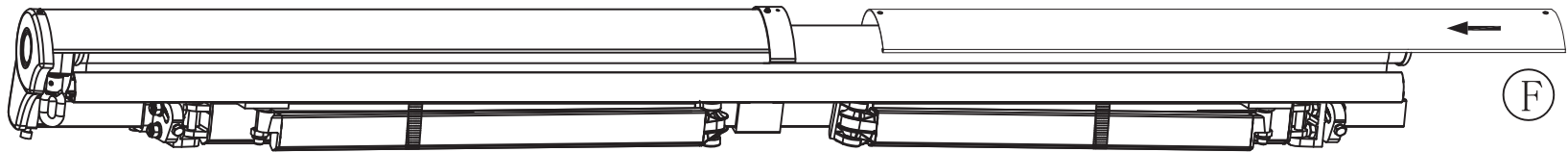
F

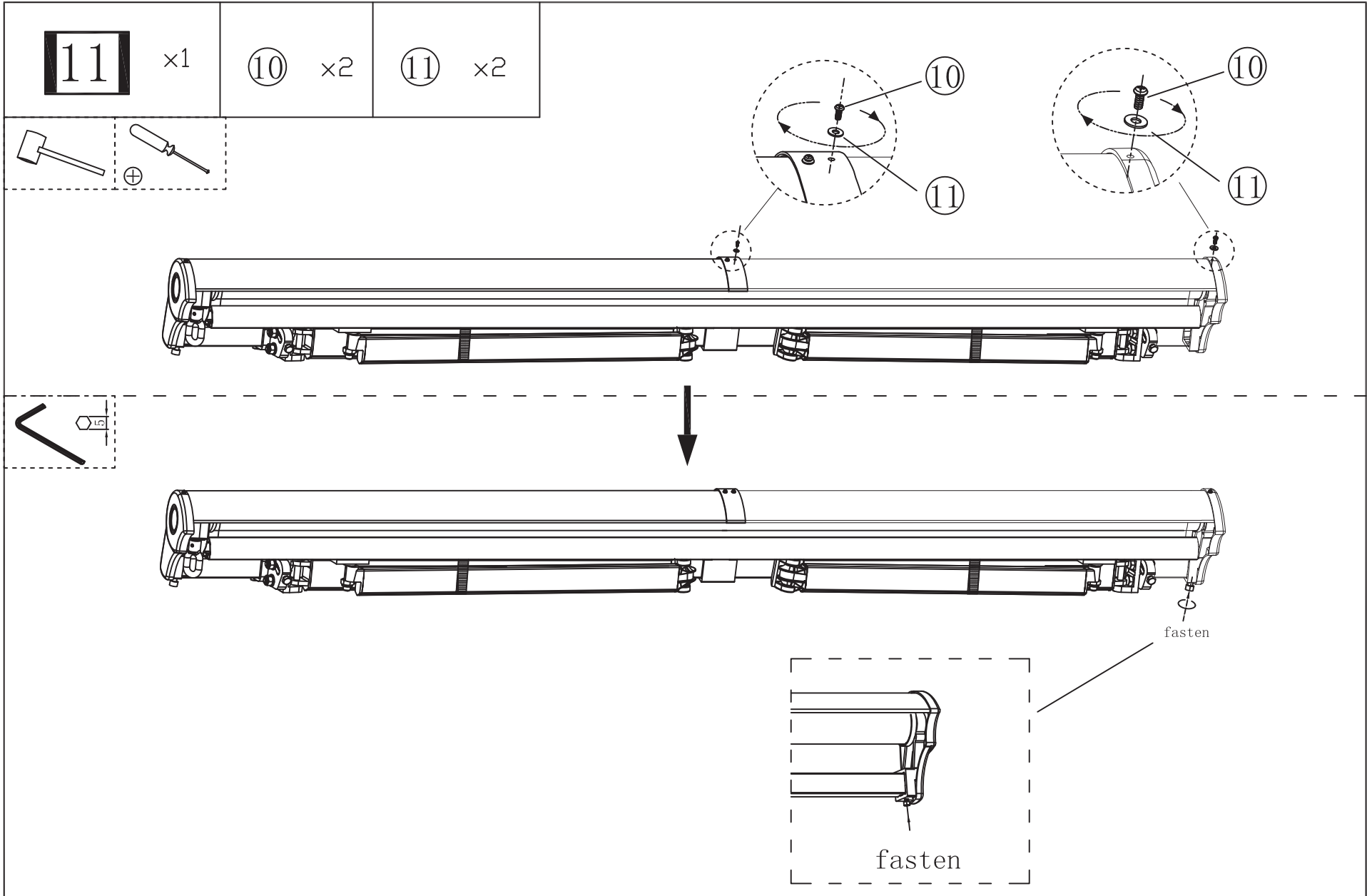
x1

2

x1

2a x1





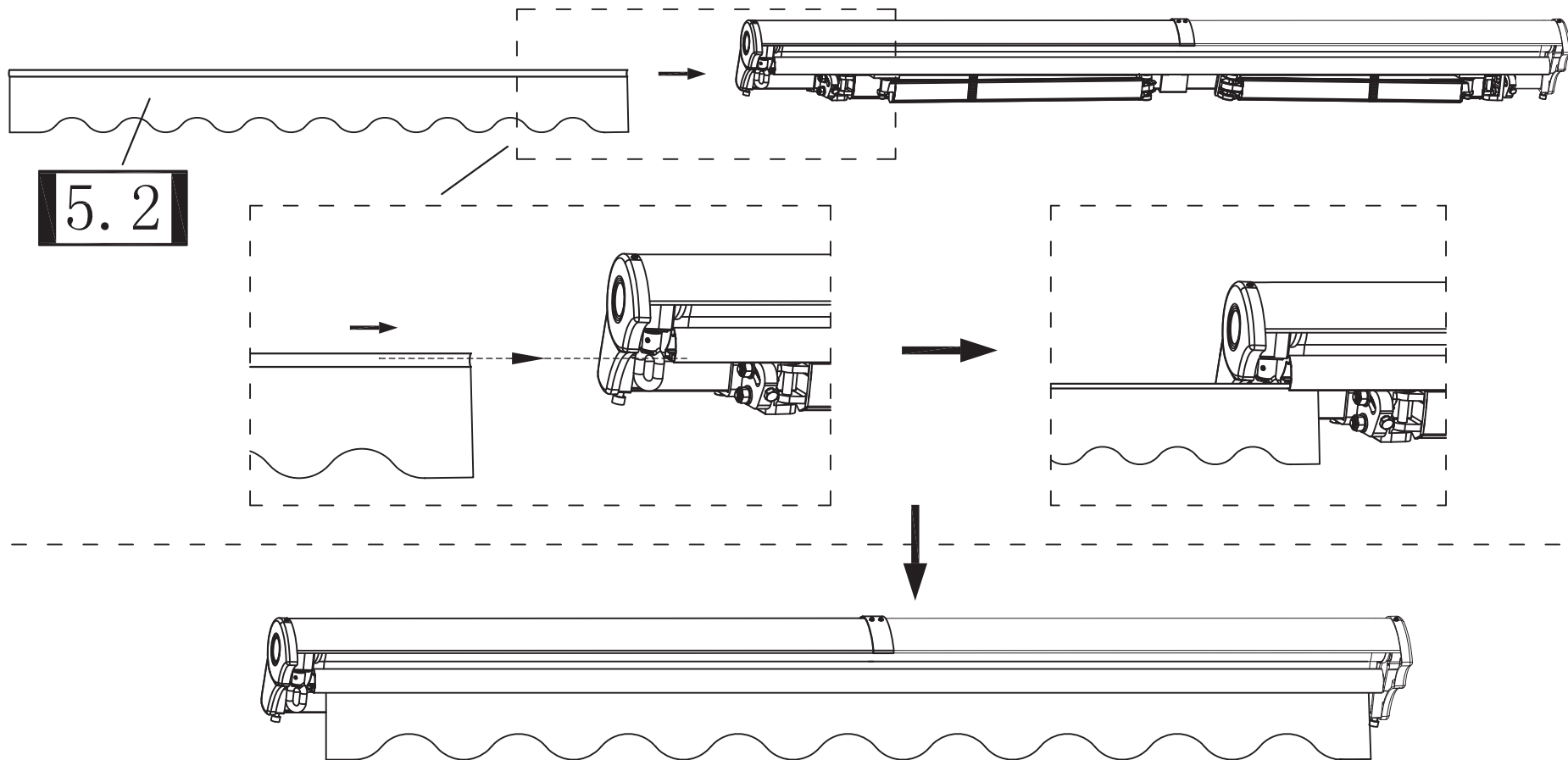


12

x1

5.2

x1



13

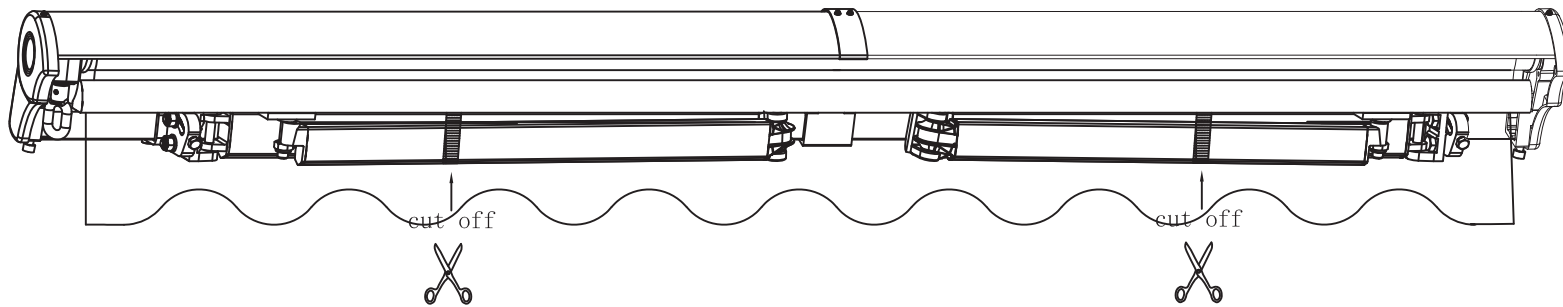
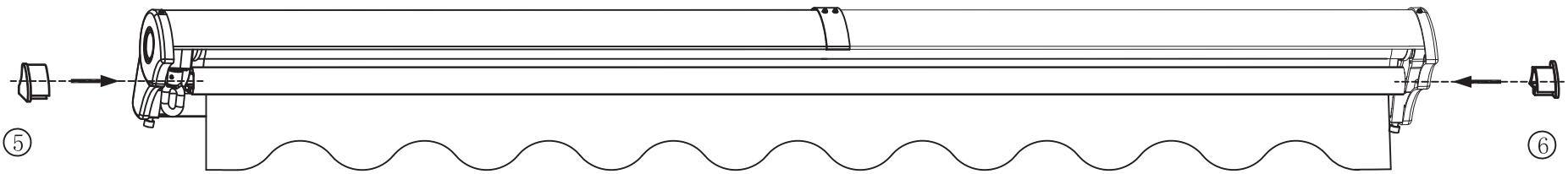
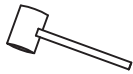
×1

5

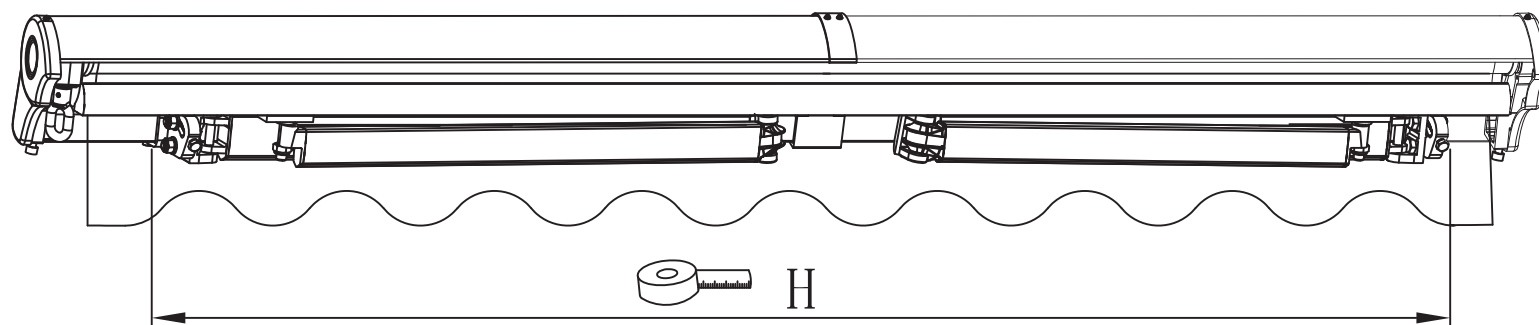
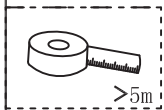
×1

6

×1



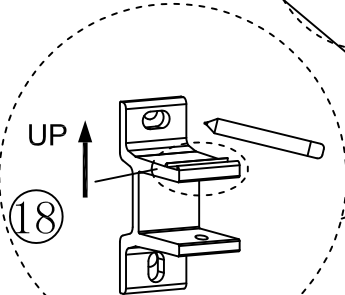
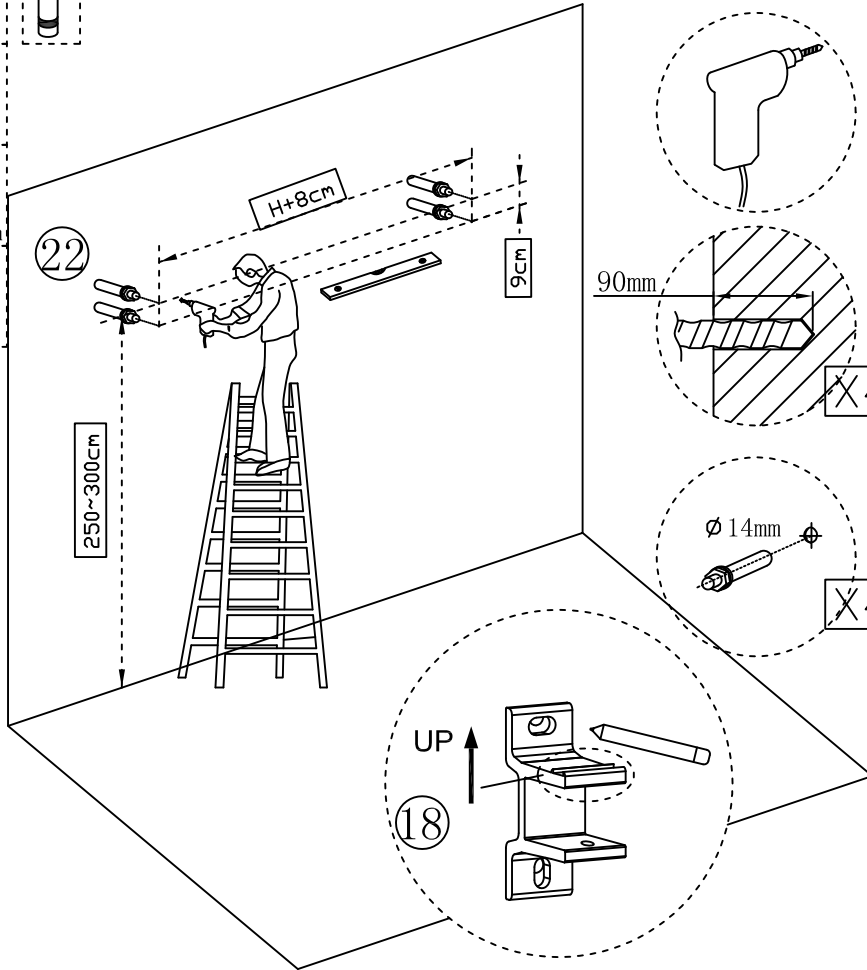
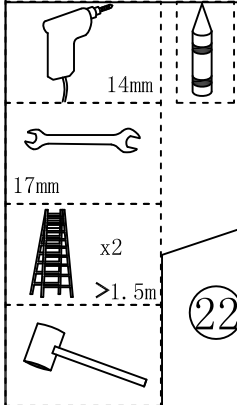
OK, Assembly Complete!



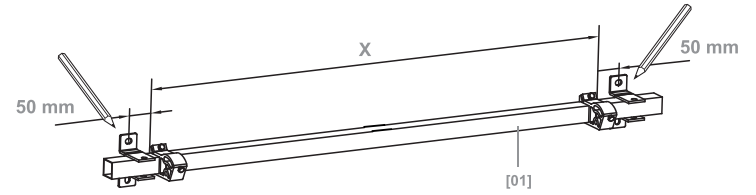
15 x2

18 x2 (Length:200-350cm)  
x3 (Length:360-400cm)

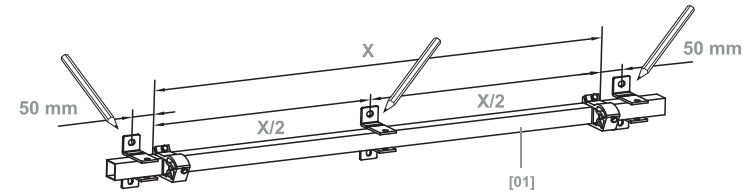
22 x2 (Length:200-350cm)  
x3 (Length:360-400cm)



Length : 200-350cm



Length : 360-400cm



14

×1

19

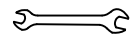
x2 (Length:200-350cm)  
x3 (Length:360-400cm)

20

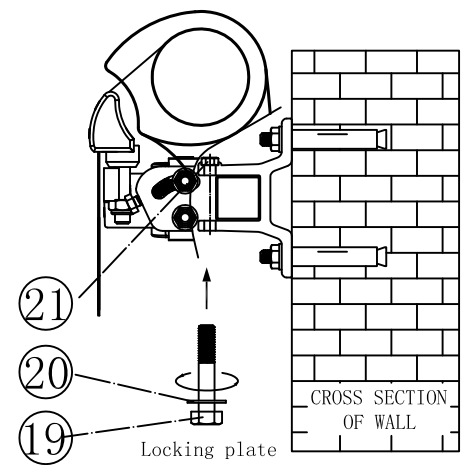
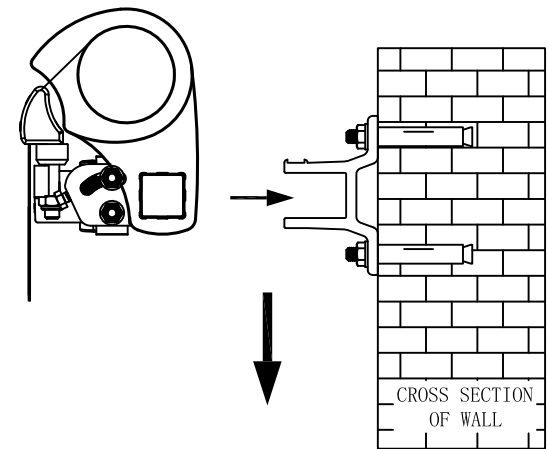
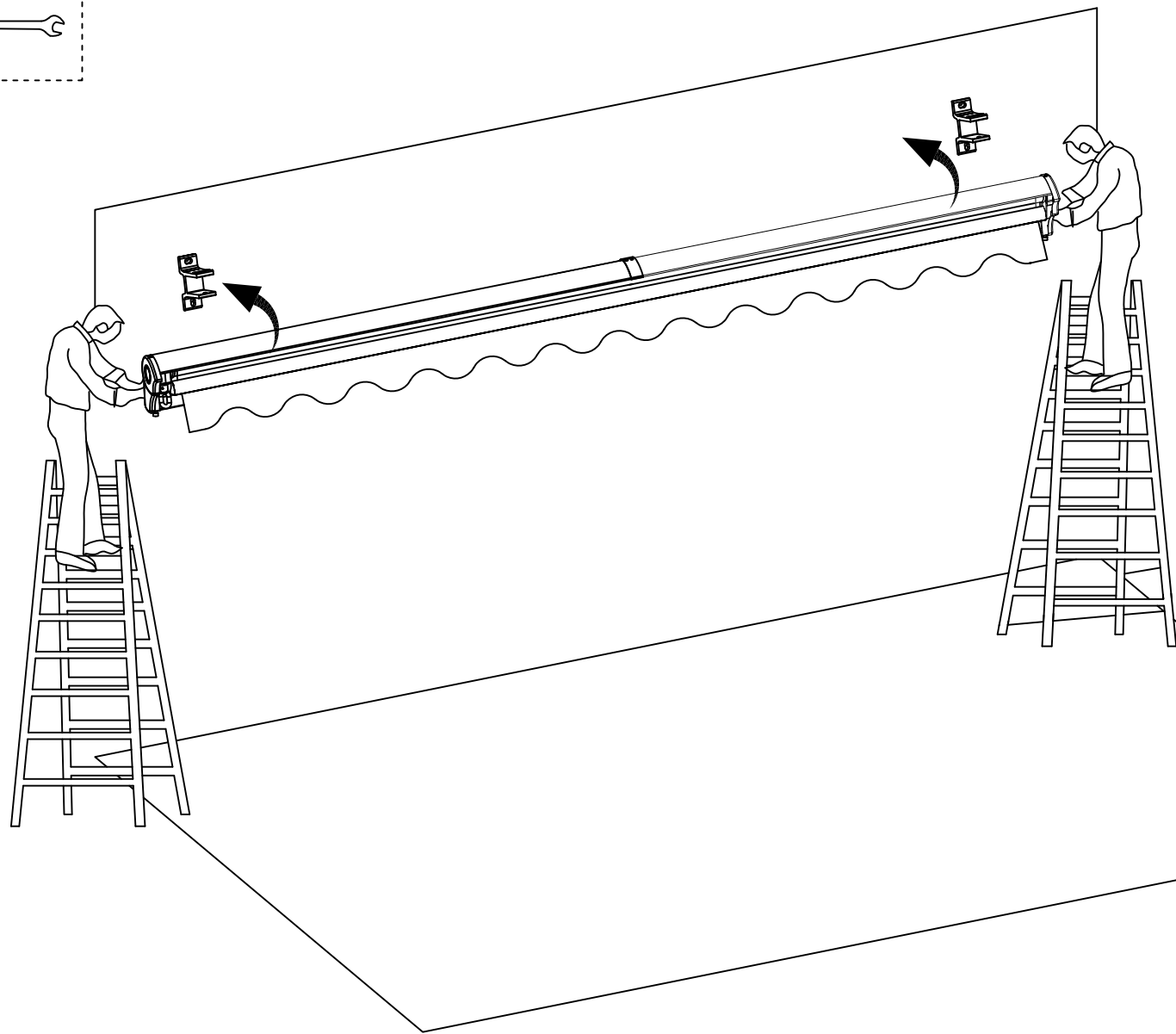
x2 (Length:200-350cm)  
x3 (Length:360-400cm)

21

x2 (Length:200-350cm)  
x3 (Length:360-400cm)



13mm

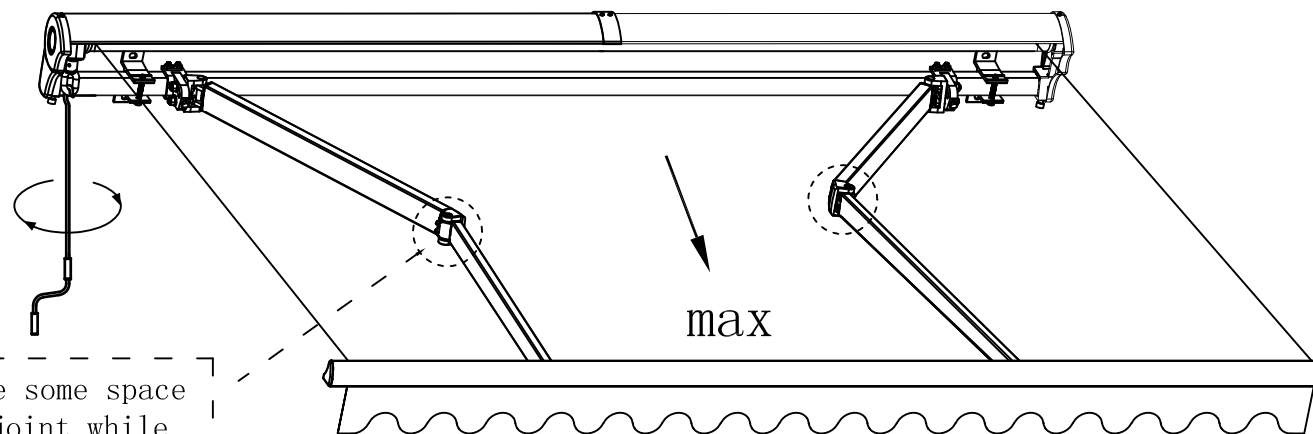
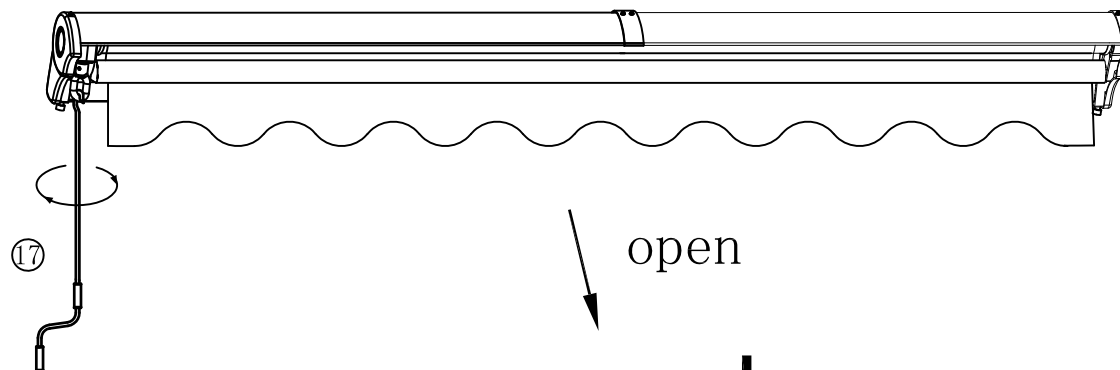


17

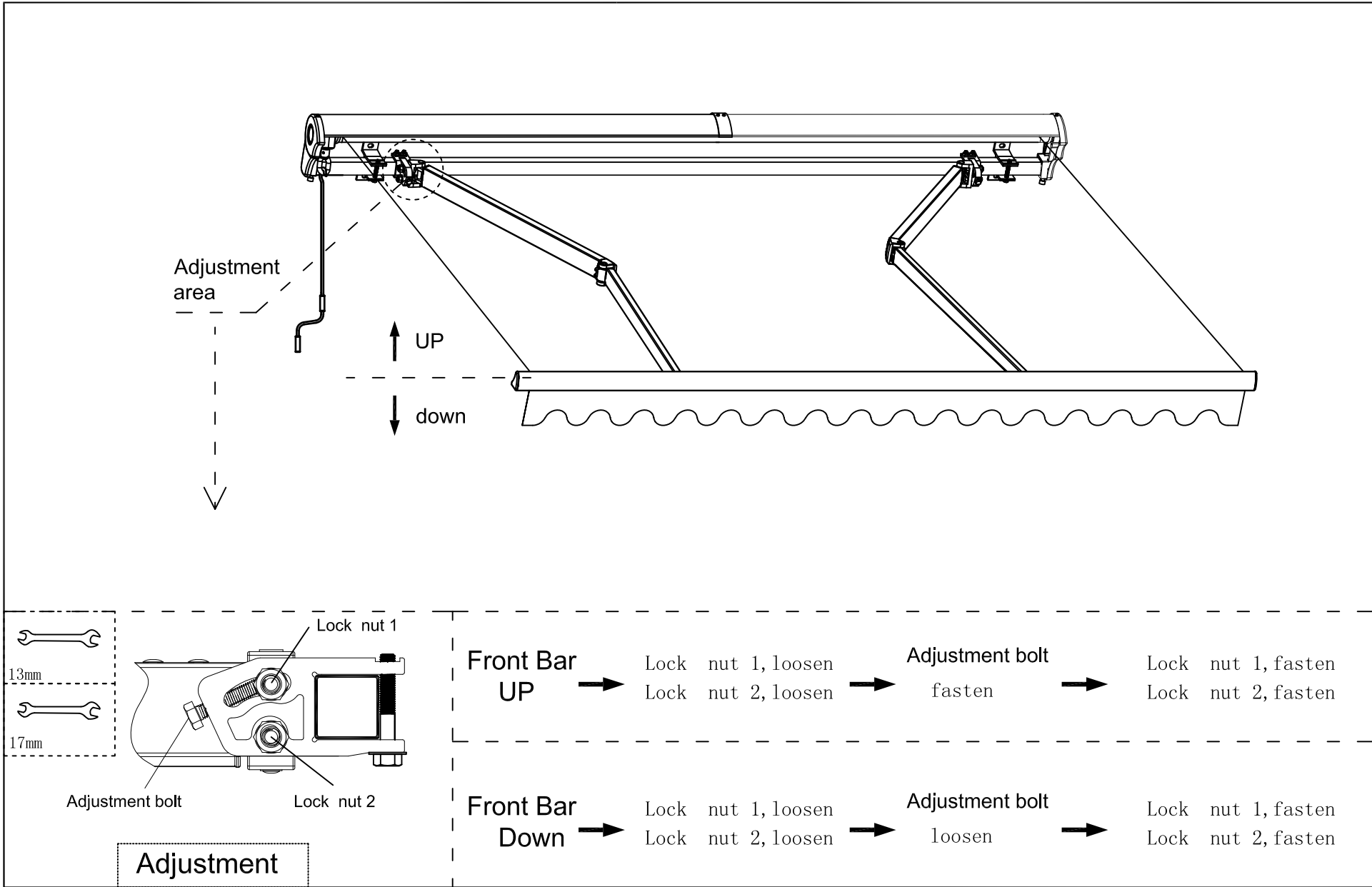
x1

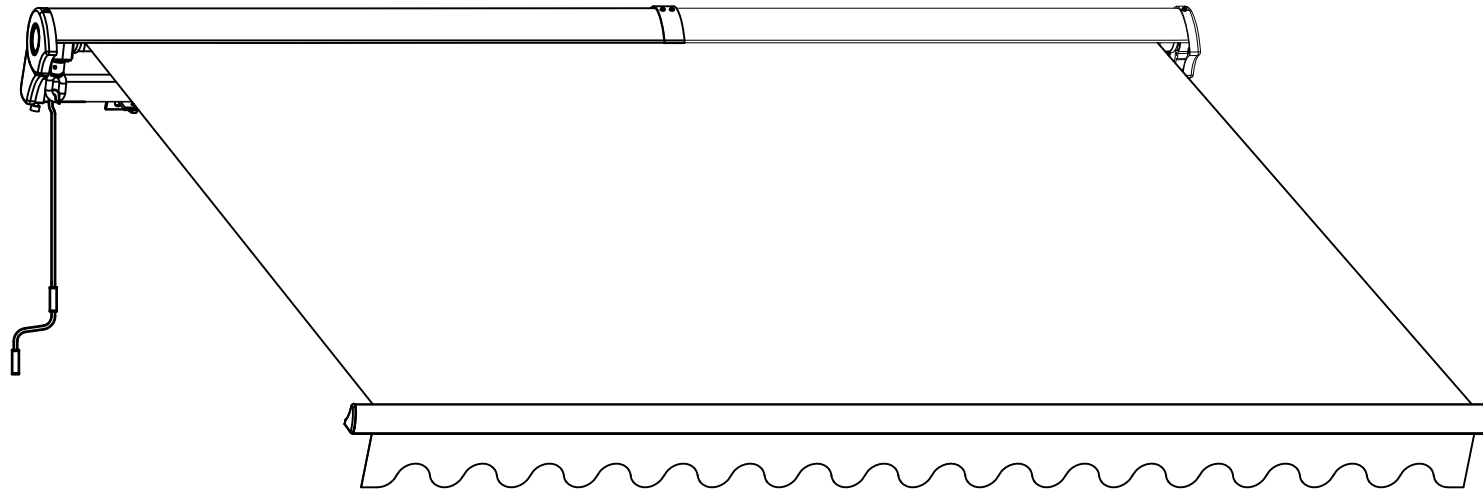
17

x1



⚠ Notice: leave some space for the arm joint while opening!

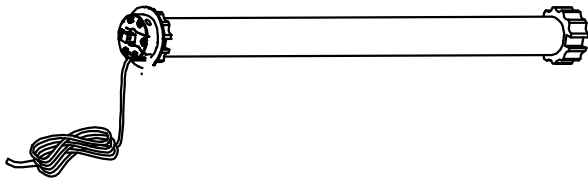




**OK, Thank You!**

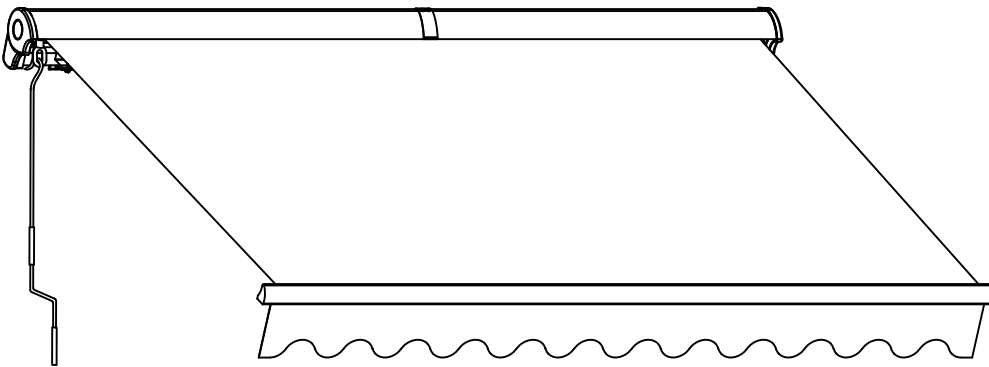


# Awning for remote operation



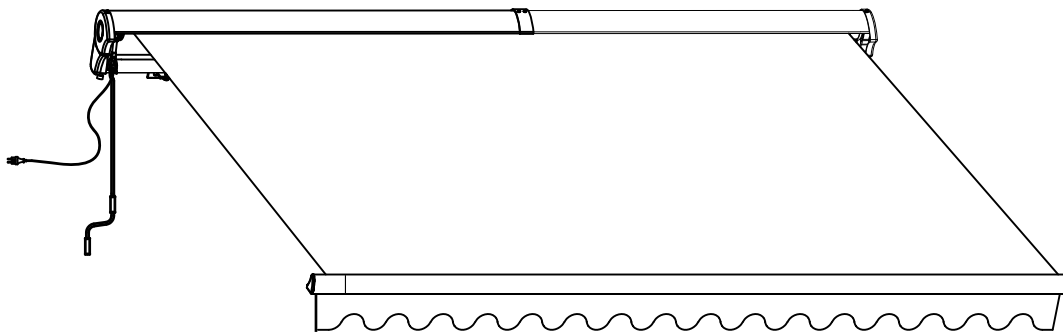
Motor

+



Manual  
Retractable awning


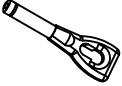


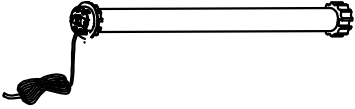
||



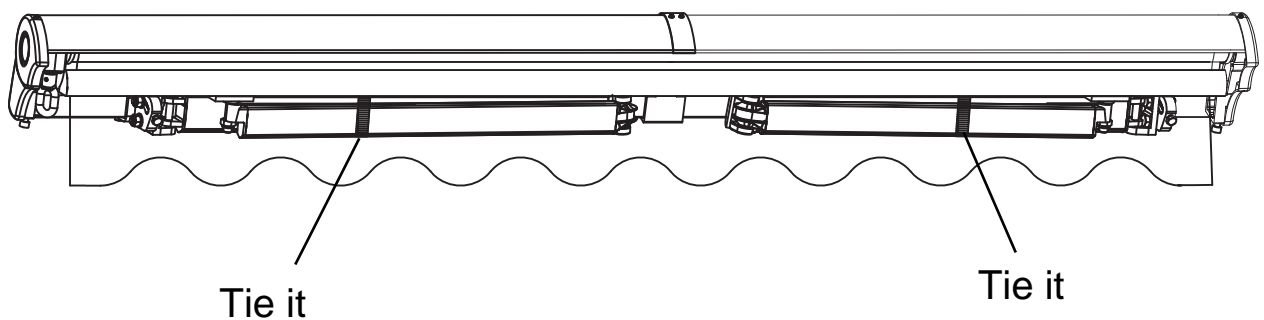
Motorised  
Retractable awning

# Changing manual awning to motorised awning

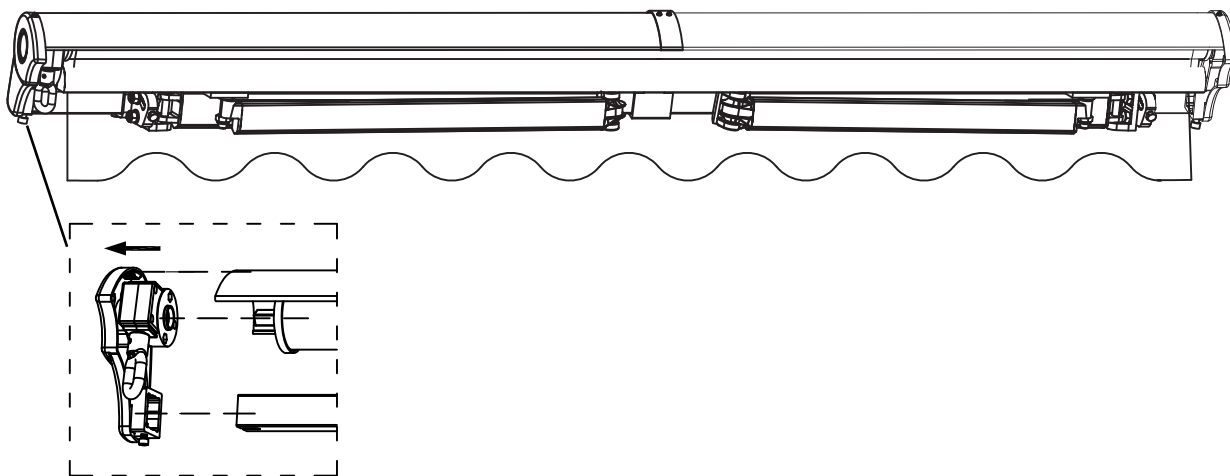
## Accessories in the motor parcel

17		x1
18		x1
19		x1
23		x1
24		x1

## Step 1 : Tie the retractable awning's arm

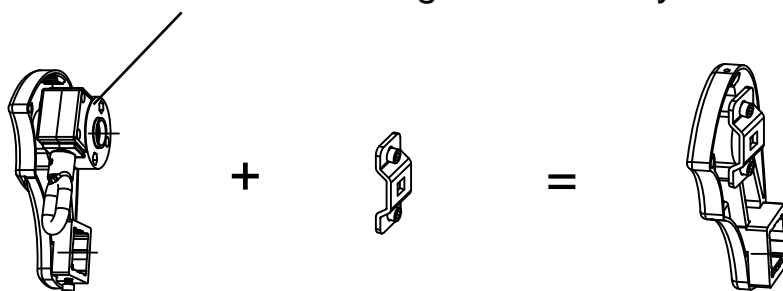


Step 2 :

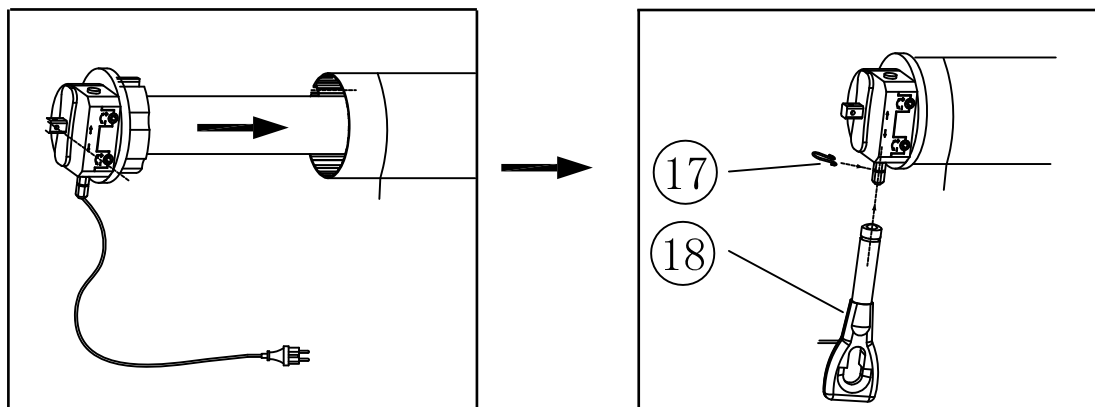


Step 3 :

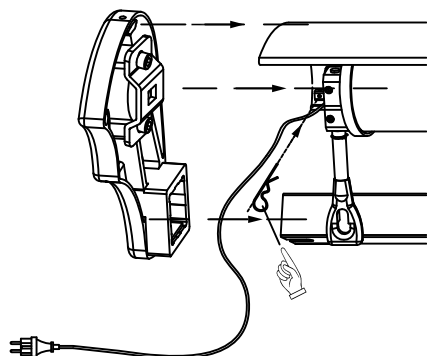
Take off the gear box firstly



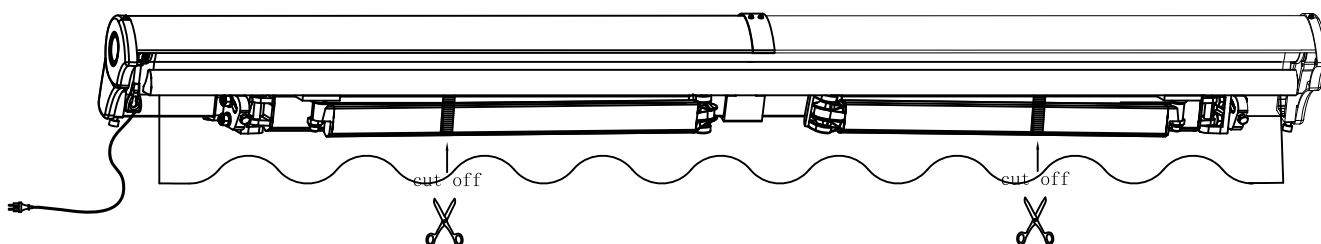
Step 4 :



Step 5 :

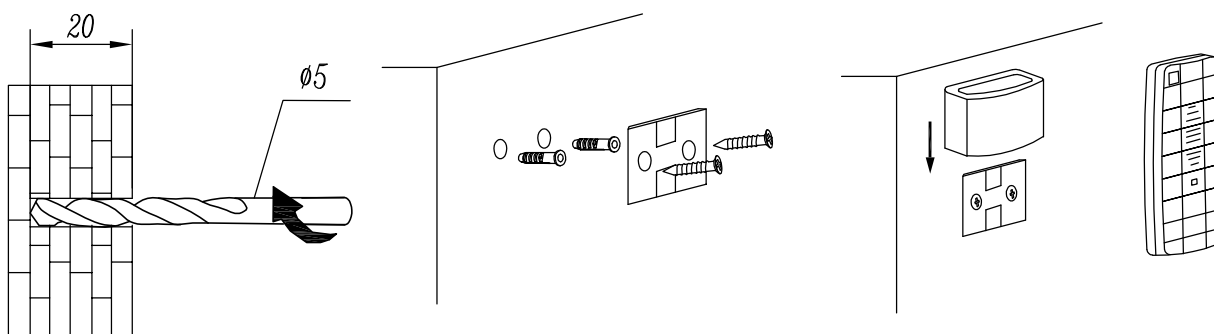


Step 6 :

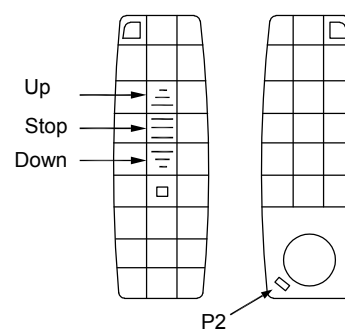


OK, Assembly Complete!

## Remote control

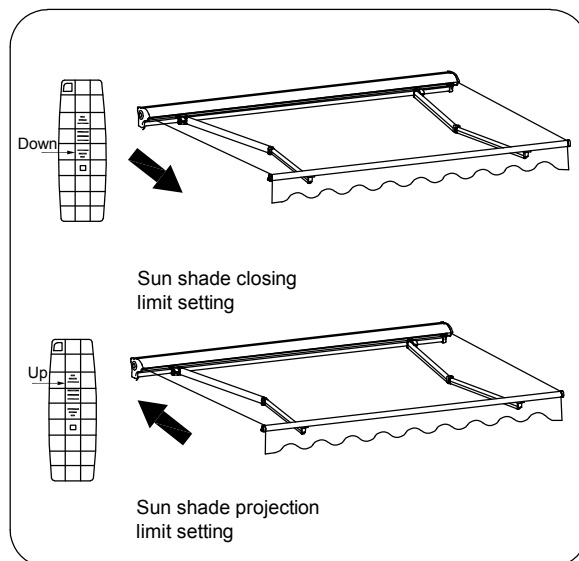
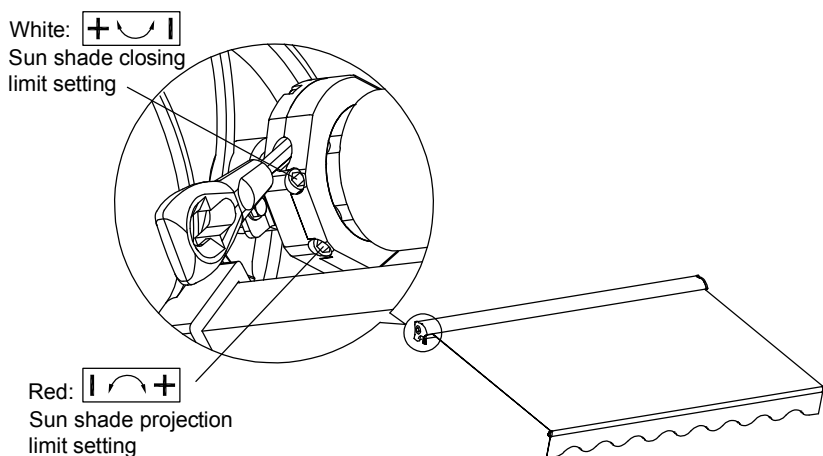


Press button	Function
Up	Retract / close the awing stop opening/closing process extract / open the awing
Stop	
Down	



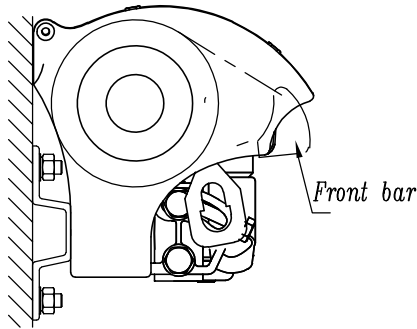
## Shade travel limit adjustment

1. Customers can adjust and set the positions of sun shade travel limit by themselves.
2. According to motor rotating direction, adjust the travel limit with the use of the 4mm hex wrench: the direction of "+" is increasing the travel limit and "-" is to reduce the travel limit.
3. After setting, open and close the awning with the switch and check if the setting is satisfactory. If not, repeat step 2.

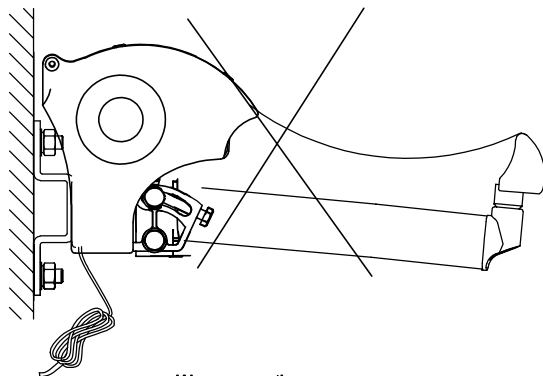


4. After setting, open and close the awning with the remote control and check if the setting is satisfactory. If not, repeat step 1.

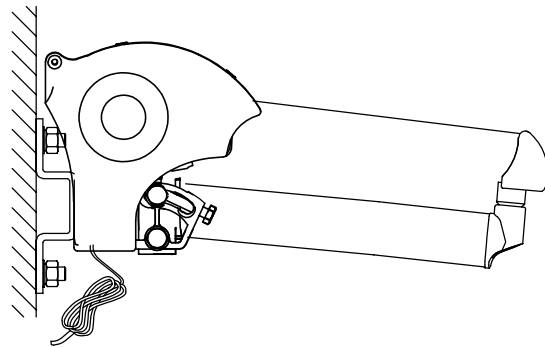
## Description of mistake



Warning: When the front bar touches the roller as shown in the figure, don't try to make them closer, otherwise the product might be damaged.



Wrong operation

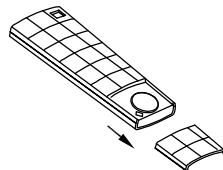
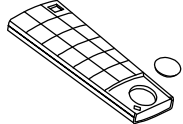
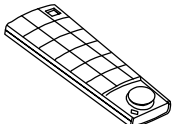


Correct operation

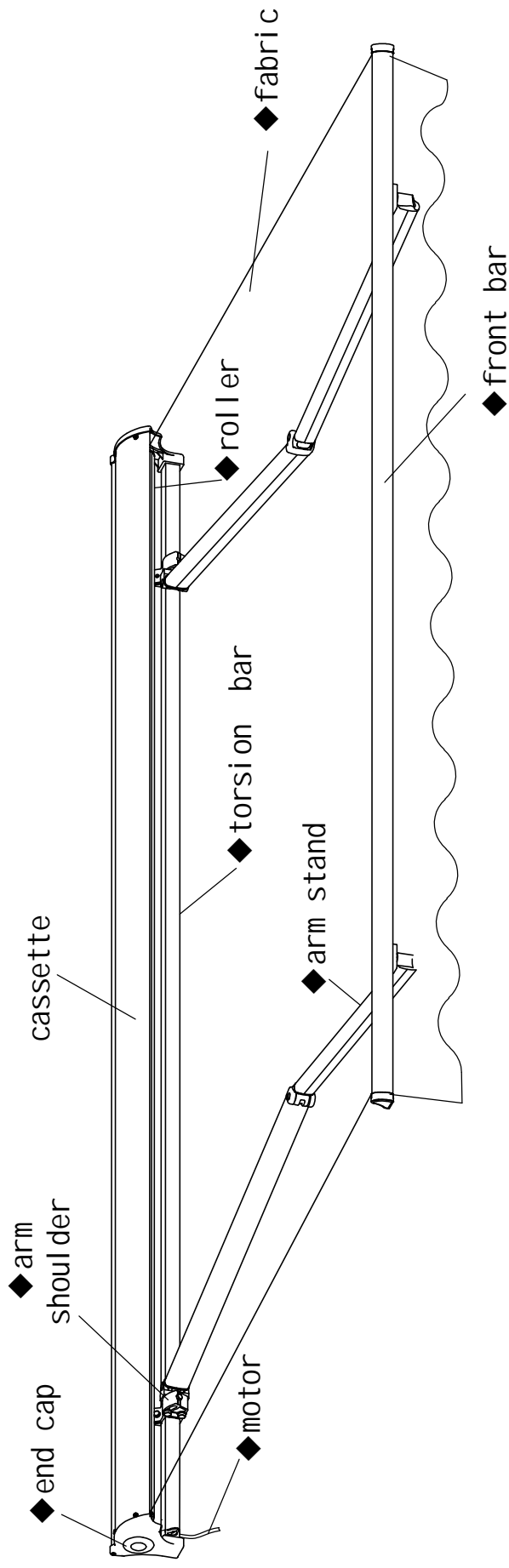
### Re-initialization of the remote control

Turn off the power supply for about 10s, then power on. Press "P2" key of the remote control twice, afterward press the "UP" button for the set up of retraction. Repeat the above steps, except press the "DOWN" button for the set up of extraction.

### Change the batteries of the remote control

<p>1. Open the lid of the battery.</p>	
<p>2. Get out the battery, pay attention to the direction of installation.</p>	
<p>3. Put in a new battery. Close the lid of the battery.</p>	

## *Names of the parts*



### ※ Note:

1. When the parts with ◆ are damaged, don't use the product before they are replaced.

## Contact information

Head office:

Dancover A/S  
Lyngevej 16A, Nørre Herlev  
3400 Hillerød  
Denmark

For more information  
please visit:  
[www.dancovershop.com](http://www.dancovershop.com)

## National contact

Denmark:

[denmark@dancover.com](mailto:denmark@dancover.com)

UK:

[uk@dancover.com](mailto:uk@dancover.com)

Germany:

[germany@dancover.com](mailto:germany@dancover.com)

France:

[france@dancover.com](mailto:france@dancover.com)

Sweden:

[sverige@dancover.com](mailto:sverige@dancover.com)

Finland:

[suomi@dancover.com](mailto:suomi@dancover.com)

Poland:

[polska@dancover.com](mailto:polska@dancover.com)

Luxembourg:

[luxembourg@dancover.com](mailto:luxembourg@dancover.com)

Portugal:

[portugal@dancover.com](mailto:portugal@dancover.com)

Spain:

[espana@dancover.com](mailto:espana@dancover.com)

Italy:

[italia@dancover.com](mailto:italia@dancover.com)

Switzerland:

[schweiz@dancover.com](mailto:schweiz@dancover.com)

Austria:

[austria@dancover.com](mailto:austria@dancover.com)

Norway:

[norge@dancover.com](mailto:norge@dancover.com)

Nederland:

[nederland@dancover.com](mailto:nederland@dancover.com)

Ireland:

[ireland@dancover.com](mailto:ireland@dancover.com)

Belgium:

[belgique@dancover.com](mailto:belgique@dancover.com)