

DANCOVER[®]

.com

Manual
for
Tunnel Garage (Car)
2,5x4,12x2,15m

TABLE OF CONTENTS

1. GENERAL INFORMATION.....	3
1.1 Introduction.....	3
2. BOX DESCRIPTION AND TECHNICAL SHEET.....	4
2.1 General description.....	4
2.2 Components.....	5
2.3 Fabric's characteristics.....	7
3. INSTALLATION.....	8
3.1 Handling and transport.....	8
3.2 Place and requirements for the installation.....	8
3.3 Installation.....	9
3.3.1 Package opening.....	9
3.3.2 Box installation.....	9
4. BOX UTILIZATION.....	11
5. CHECKS AND MAINTENANCE.....	12
6. DISASSEMBLY.....	12

1. GENERAL INFORMATION

1.1. Introduction

This manual is an integral part of the product; it is addressed to the installer and to the final user of the box, and enables a correct installation and use. For this reason it must be held with the box until proper disposal.

In this manual you will find the instructions to:

- correctly install the box
- understand the functions of the box and of the whole thereof
- correctly do the box scheduled maintenance processes
- take care of the basic safety rules



ATTENTION: the installer and the final user must read the whole manual in each part of it. Keep this manual in a safe and accessible place.

Before using the box, please read carefully the technical information contained in this manual and follow them strictly.

1. BOX DESCRIPTION AND TECHNICAL SHEET

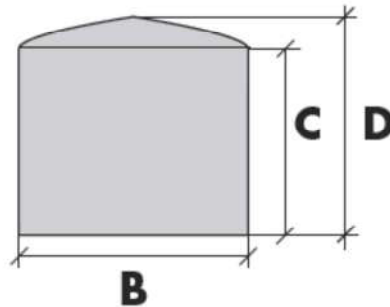
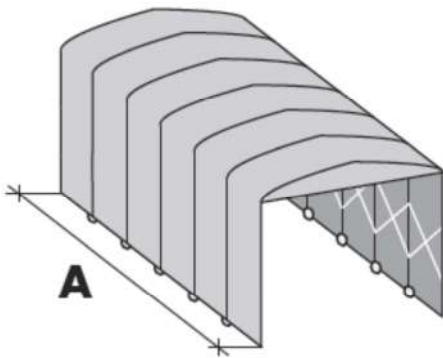
1.1. General description

The box must be used only as an ordinary protection cover, for purely temporary use. In case of bad weather conditions (wind, snow), the box must be removed. Given that the box can not be fixed to the ground - but only bound to it - its use in these conditions can cause damages to people and things.

It is particularly important for safety not to hang or apply any type of load at the structure or at the top cover of the box.

In particular, children must not handle the structure. The failure to respect the conditions of use and warnings immediately voids the warranty.

BOX TUNNEL / BOX TUNNEL €CO

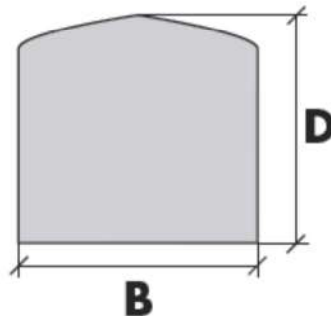
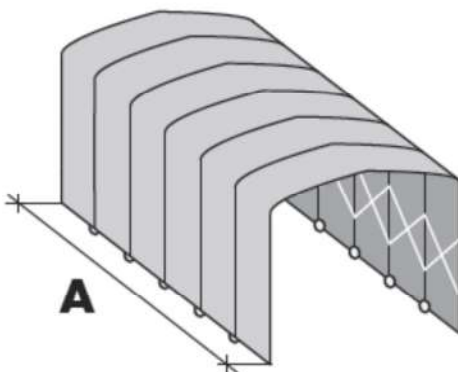


A (cm): 412/515/618/721/824/...

B (cm): 250/280/300

C (cm): 185/200/205

STADIO BOX



A (cm): 412/515/618/721/824/...

B (cm): da 150 a 300

D (cm): da 180 a 240

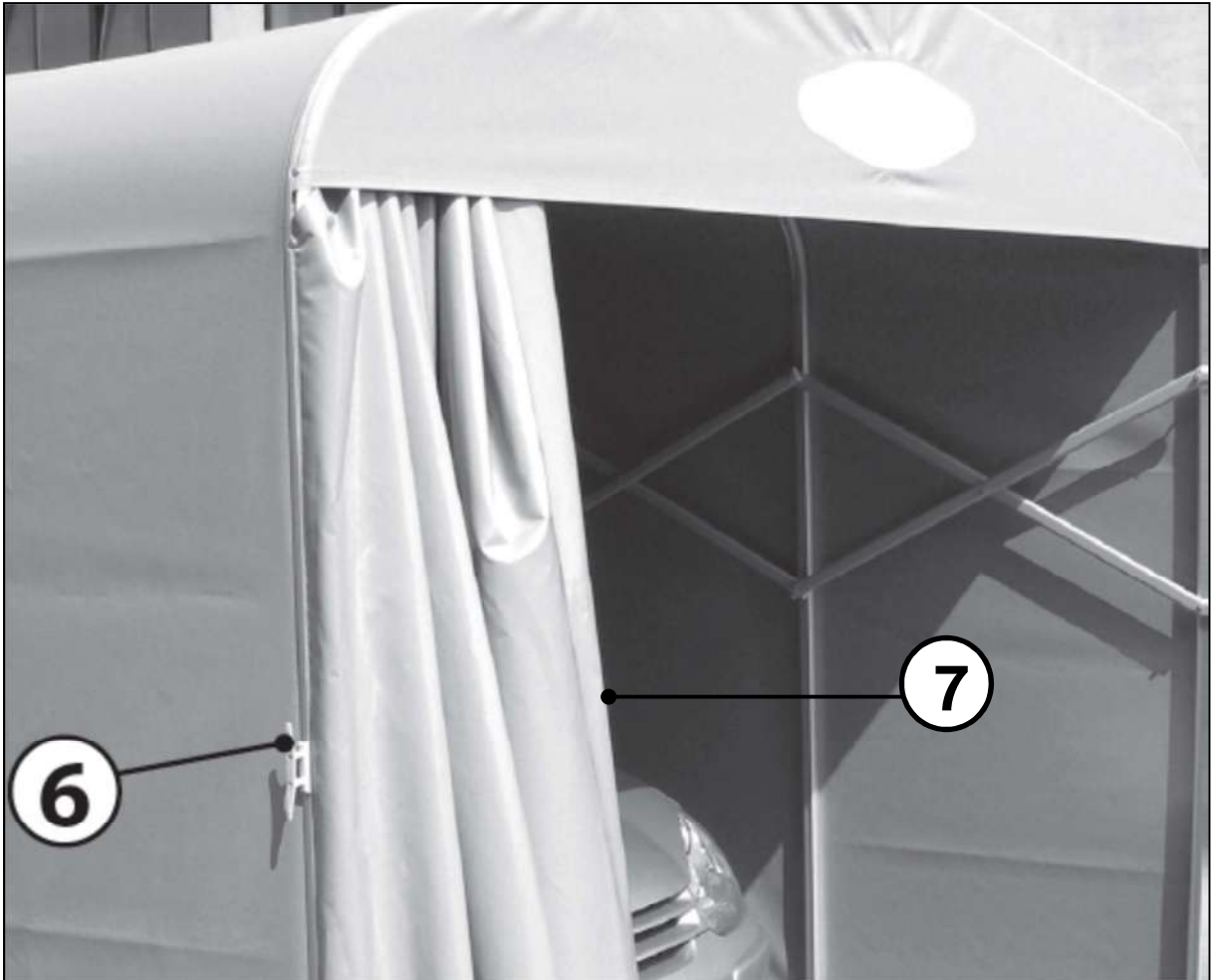
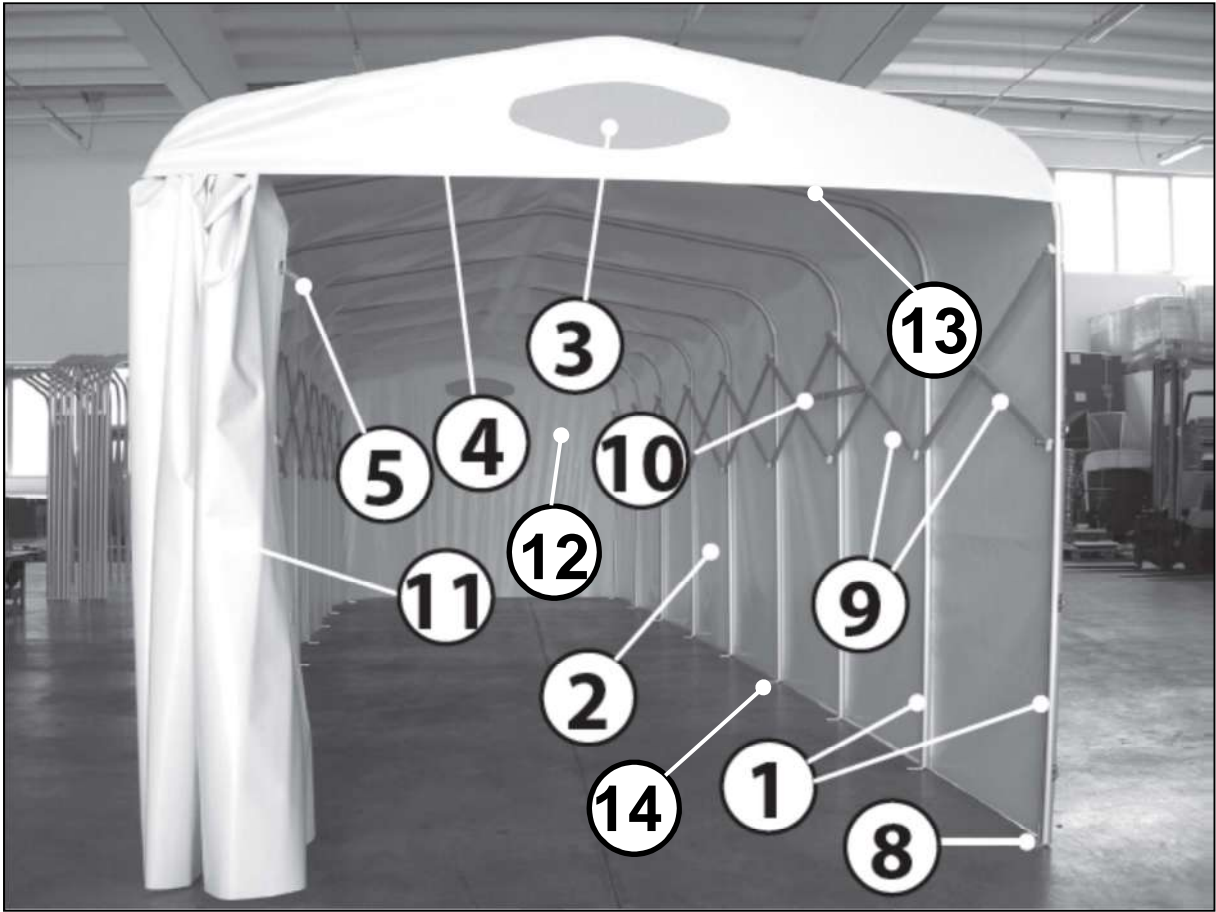
NB. Starting from the length (A) of cm 700 (only for mobile version): eyelets placed on the lateral profile for ground-fixation through straps and stakes/ballasts (not supplied by the supplier)

1.2. **Components**

<u>N.</u>	<u>DESCRIPTION</u>
1	ALUMINIUM PROFILE MM 40x35
2	PVC LG 550/STARPOL ECO TOP COVER
3**	WINDOW IN MICRO-PERFORATED MATERIAL
4**	PVC GABLE END WITH WINDOW IN MICRO-PERFORATED MATERIAL
5*	PVC BUCKLE
6*	STRING FASTENER HANDLE IN PVC
7*	NYLON STRING DIAM. MM 5
8*	GROUND-FIXING BRACKETS (base v.), CARABINER (mobile v.)
9	CROSSES CM 120X120 (in the mobile v. includes also tension bar)
10*	TENSION BARS
11*	PVC SLIDING CURTAIN
12*	PVC WALL WITH WINDOW IN MICRO-PERFORATED MATERIAL
13*	ALUMINIUM CROSSBEAM
14*	GROUND-FIXING BRACKETS* (base v.), NYLON WHEELS (mobile v.)

***Only for Box Tunnel and Box Tunnel Eco**

***Only for Box Tunnel**



1.3. *Fabric's characteristics*

POLY LG 550/LAC 2L FLAME-RETARDANT

BOX TUNNEL – STADIO BOX

Yarn	<i>Warp:</i> 100% PES 1100 Dtex <i>Weft:</i> 100% PES 1100 Dtex
Fabric's weight	550 gr/m ²
Characteristics	ABUV
Finishing	gloss lacquered
Breaking strength (DIN 53354)	<i>Warp:</i> ca 250 DaN/5 cm <i>Weft:</i> ca 180 DaN/5 cm
Tear strength (DIN 53363)	<i>Warp:</i> 25 DaN <i>Weft:</i> 20 DaN
Grip (IVK/PKT 14)	10 DaN/5 cm
Temperature resistance	+70° C/- 30° C
Light resistance (DIN 53388)	<i>Level:</i> 7/8
Fire-proofing	ADR cl. II

STARPOL ECO

BOX TUNNEL ECO

Yarn	<i>Warp:</i> 100% PES/1100 Dtex <i>Weft:</i> 100% PES/1100 Dtex
Fabric's weight	Ca 610 gr/m ²
Finishing	PVC coated
Breaking strength (DIN 53354)	<i>Warp:</i> ca. 235 DaN/5 cm <i>Weft:</i> ca. 220 DaN/5 cm
Tear strength (DIN 53363)	<i>Warp:</i> ca. 23 DaN <i>Weft:</i> ca. 22 DaN
Grip (DIN 53357)	9 DaN/5 cm
Temperature resistance	+70° C /- 30° C

3. INSTALLATION

3.1. Handling and transport

The box installation should only be done by qualified staff.

The products must be unloaded through appropriate lifting equipment, which must be used only by authorized staff.

If the unloading operation is made by hand, it is important to consider that the weight limit that each male person can handle is 25 Kg; moreover, the operators should be equipped with gloves and safety shoes.

3.2. Place and requirements for the installation

Before the arrival of the installers the user must arrange:

- any permits required by local regulations
- appropriate ground

3.3. Installation

Before starting the installation, if electrical equipment utilization is needed:

- make sure you do not work in wet areas
- use only intact extension cords, according to the place of use
- use shoes with rubber soles



ATTENTION: It is necessary for the operators to use appropriate personal protective equipment such as safety shoes and gloves, in order to avoid injuries provoked by the fall of the packaging or of components that it contains, perforation and cutting due to cutting or hanging parts

3.3.1. Package opening

Packaging must be opened only with scissors with rounded tips, using the best care not to cut the cloth of the article (Photo 1).



P
H
O
T
O
1

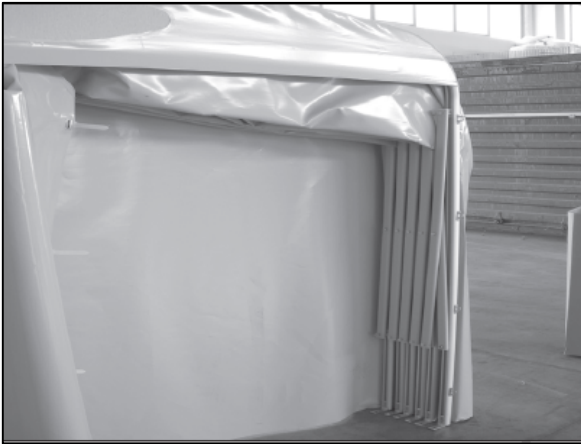
NOTE: The packaging material disposal is at user's charge, who will perform it in accordance with existing environmental norms.

3.3.2 Box installation

The sliding door must be opened (photo 2) and only the screws of the lower part of the crosses must be released with an Allen key (photo 3).



ATTENTION: if the screws in the crosses top are released, it can provoke serious damages to the structure and to the cloth of the box. The supplier is not responsible for this kind of damages.



P
H
O
T
O

2



P
H
O
T
O

3

Subsequently, the box must be opened by pushing the crosses from the bottom to the top (photo 4/a and 4/b).



P
H
O
T
O

4/A



P
H
O
T
O

4/B

The top cover must be stretched:

- **BASE VERSION:** using the stretching device (not included) and tightening the screws of the lower part of the crosses (photo 5/a, 5/b and 5/c)
- **MOBILE VERSION:** putting the tension bars in regular position, at 180° (photo 6/a and 6/b); through the regulation of the tensor screws, there will be a better top cover tensioning



P
H
O
T
O

5/A



P
H
O
T
O

5/B



P
H
O
T
O

5/C



P
H
O
T
O

6/A



P
H
O
T
O

6/B

Finally, the box can be fixed to the basement through appropriate anchorage systems.



ATTENTION: other installation ways which are not contained in this manual are not allowed, if not previously authorized.



ATTENTION: the box must be fixed to the ground and/or to a wall. The installer must verify the ground type and conditions and choose the appropriate anchoring system, also considering the typical meteorological conditions of that particular place (strong wind,...).

4. BOX UTILIZATION

Before using the box you need to check that installation and ground fixation operations have been carried out properly.

5.CHECKS AND MANTAINANCE

It is necessary to periodically check the general status of the structure, of the links between components, of the hinges and the top cover. In case of holes or tears in the fabric, damages or cracks of metal components, it is necessary to contact the dealer.

The top cover can be washed with neutral detergent and then rinsed with water. After cleaning, the fabric must be dried before being folded, in order to prevent mold.

6.DISASSEMBLY

Disassembling operations are done backward to the assembly.

The eventual disposal of the box must be made in accordance with the existing environmental norms.

DANCOVER[®]

.com

Contact information

Head office:

Dancover A/S
Nordre Strandvej 119 G
3150 Hellebæk
Denmark

For more information
please visit:
www.dancovershop.com

National contact

Denmark: 70 26 76 20
denmark@dancover.com

UK: 020 8099 7570
uk@dancover.com

Germany: 041 0266 7040
germany@dancover.com

France: 0975 181 800
france@dancover.com

Sweden: 040 233 262
sverige@dancover.com

Finland: 0 931 581 720
suomi@dancover.com

Poland: 22 300 8602
polska@dancover.com

Luxembourg: +49 041 0266 7040
luxembourg@dancover.com

Portugal: 308 800 899
portugal@dancover.com

Spain: 911 436 828
espana@dancover.com

Italy: 02 479 21 198
italia@dancover.com

Switzerland: 0840 000125
schweiz@dancover.com

Austria: 0662 626935
austria@dancover.com

Norway: 231 00 690
norge@dancover.com

Nederland: 0 858 880 524
nederland@dancover.com

Ireland: 0 151 33 003
ireland@dancover.com

Belgium: 0 28 08 08 09
belgique@dancover.com