

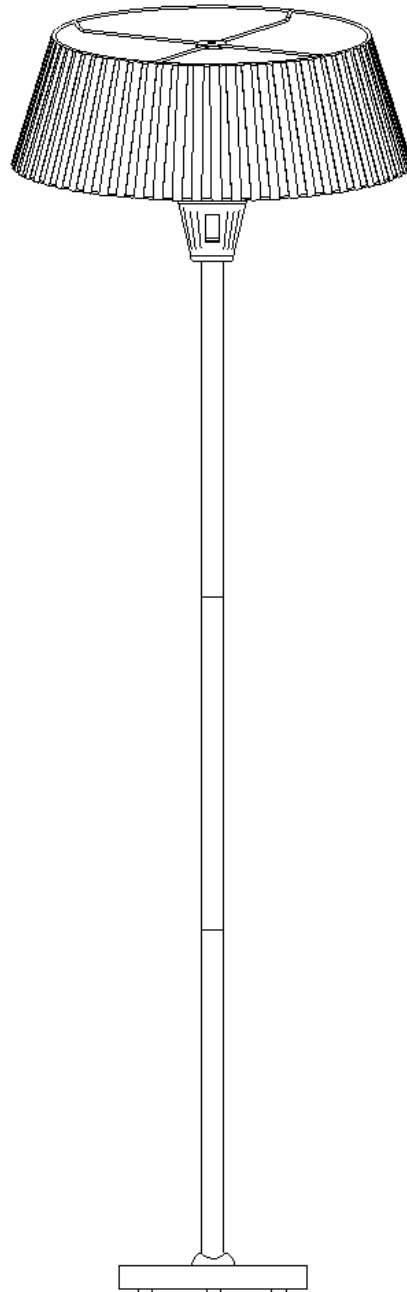
DANCOVER[®]



Manual
for
Patio Heater IKEMA

Electric Patio Heater

Assembly and operation instruction



Please keep the manual for future reference.

Dear customer,

Congratulations on your purchase of our electrical patio heater. You have chosen a superb quality product, which you will enjoy very much. Your product is carefully designed and manufactured from the best materials. In this manual you will find the main features of the product you purchased, useful maintenance advice and practical tips.

SAFETY INFORMATION

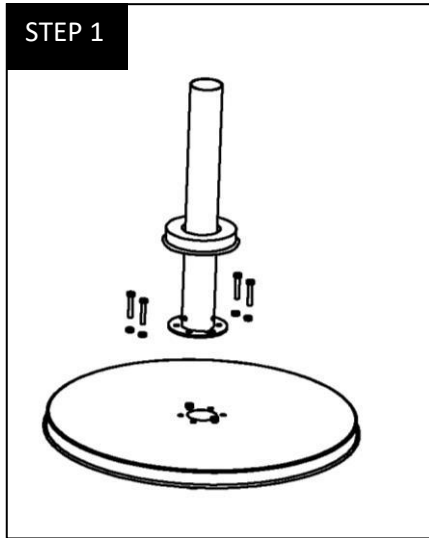
Only use the heater on a firm solid horizontal area where all the feet on the base are in contact with the floor.

(Should the heater be tilted or fall over, the auto cut off switch will activate.)

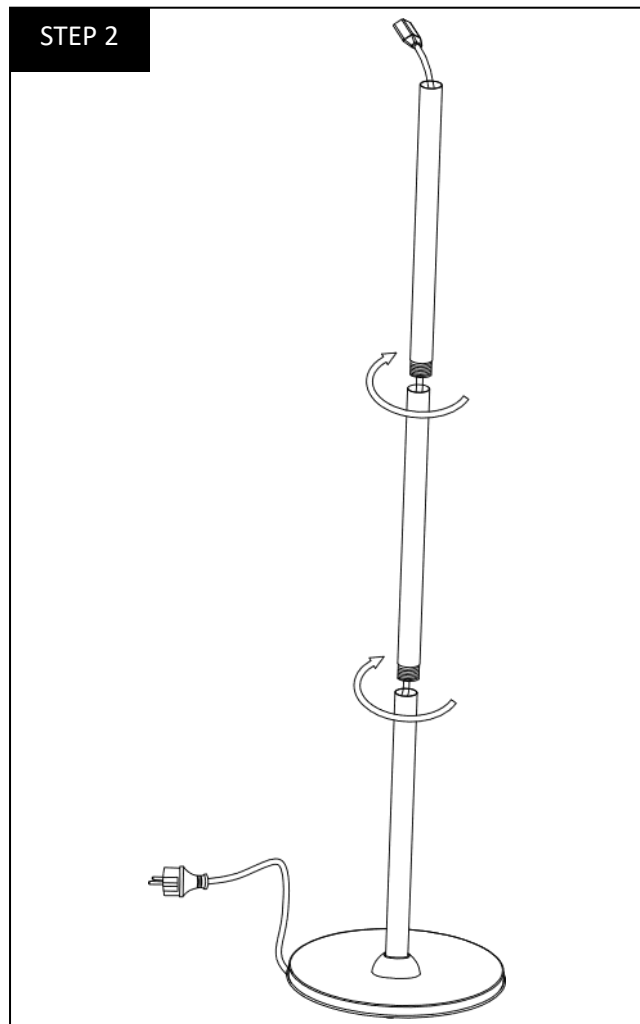
- Site the heater outside or in a large open area and well away from any obstructions such as branches or where the heater is near any objects that can be effected by heat, such as furniture, curtains or other inflammable objects (minimum distance 1 meter).
- Unpack the heater, making sure that all the items are present and that there are no components left in the box and that the heater head is free from any packing material.
- Do not use near bath tubs, wash areas or swimming pools.
- Do not use in unventilated areas.
- Do not use where gas, petrol, paint or other inflammable goods are stored. Do not push any items through, obstruct or cover the grill of the heater head.
- Do not use the heater with a programmer, timer, separate remote-control system or any other device that switches the heater on automatically, since it may cause a fire.
- It's dangerous to install the appliance close to curtains and other combustible materials.
- Do not use the heater in reach of a shower, bath or a swimming pool.
- Heater shall not be located immediately below a socket-outlet.
- Do not move when connected to an electrical supply and always wait for the patio heater to cool down before storing away.
- Do not touch the heater head when in use.
- Do not leave turned on and unattended especially when children and or animals are in the vicinity.
- The unit must be fixed with the clearance of 100cm to the wall and 30cm to the ceiling.
- The unit is at high temperature during operation. It keeps hot for a period after shut down. Potential danger would occur when touching it during this period.
- Don't cover the unit with anything during operation or a short time after it's shut down.
- Don't wrap the power supply cord on the unit.
- The unit must be handled with care, and avoid vibration or hitting.
- The unit must be securely grounded during operation.
- If the unit gets damaged, it must be repaired by professional electricians.
- When the power supply cord is damaged, it must be replaced by authorized agent or other professional people to avoid danger.
- Don't use this unit in place where causticity or volatile air exists, i.e. dust, steam, gas, etc.
- Don't use this unit as a cloth drier or towel drier. Don't use this unit as a sauna heater or a room heater.
- Don't use this unit in place of animal propagating and raising.
- Don't immerse this unit into water for cleaning.
- Connect the power cable to a 13 amp supply that is located in a safe, dry area.
- Although patio heater is shower proof, do not use when raining or in wet conditions.
- Always disconnect power cable from electrical supply, when the patio heater is not in use.
- In order to avoid overheating, please do not cover the heater.
- Keep the appliance and its cord out of reach of children.
- **WARNING:** This heater is not equipped with a device to control the temperature. Do not use this heater in small rooms when they are occupied by persons not capable of leaving the room on their own, unless constant supervision is provided.
- Pay attention that, no combustible material, wind or other environmental influences covers or obstructs the appliance, such as curtains, marquees, flags, plastic foil etc.
- Do not connect the heater to electrical supply until all the assembly is complete.
- Do not connect the heater to the electrical supply if any of the components or power cord is damaged in any way.
- Children of less than 3 years should be kept away unless continuously supervised.
- Children aged from 3 years and less than 8 years shall only switch on/off the appliance provided that it has been placed or installed in its intended normal operating position and they have been given supervision or instruction concerning use of the appliance in a safe way and understand the hazards involved. Children aged from 3 years and less than 8 years shall not plug in, regulate and clean the appliance or perform user maintenance.
- This appliance can be used by children aged from 8 years and above and persons with reduced physical, sensory or mental capabilities or lack of experience and knowledge if they have been given supervision or instruction concerning use of the appliance in a safety way and understand the hazards involved. Children shall not play with the appliance. Cleaning and user maintenance shall not be made by children unless they are older than 8 and supervised.
- **CAUTION** — Some parts of this product can become very hot and cause burns. Particular attention has to be given where children and vulnerable people are present.
- The heater must be installed at least 1,8 m above the floor.
- If in doubt, contact your local supplier.

ASSEMBLY

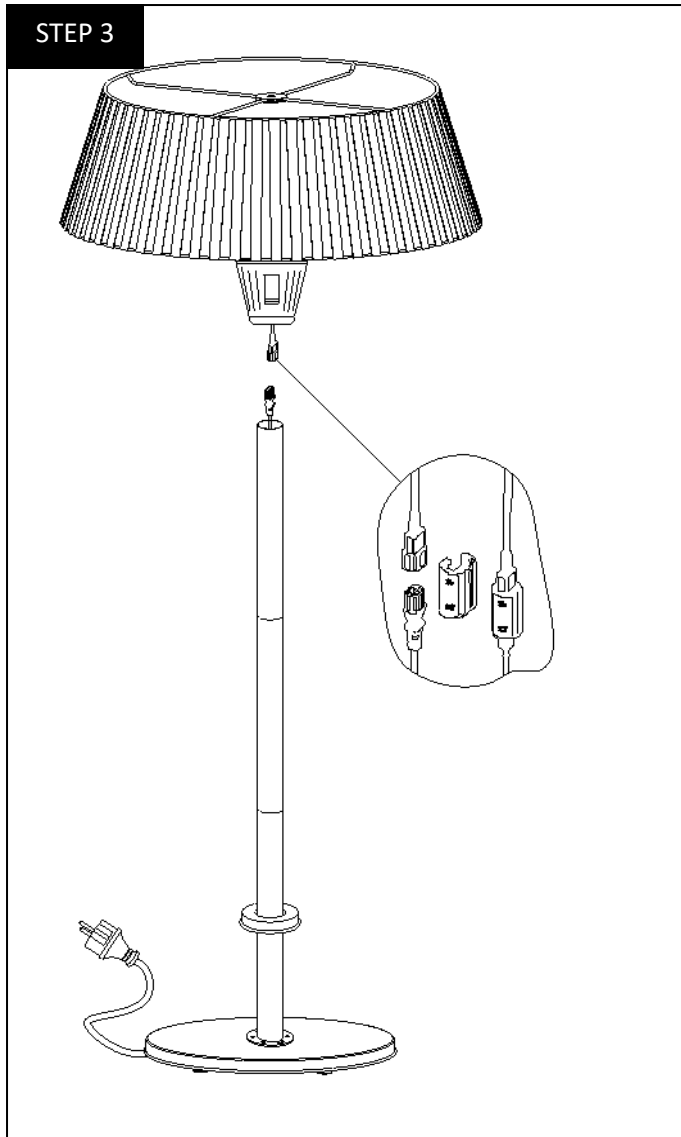
Step 1: Insert 4pcs M6 nut onto the backside of base. Align bottom pole with the base, then insert 4pcs M6x30 screw and fully tighten them. Lastly place Deco ring onto the base.



Step 2: Pull gently power cord through bottom tube, then middle tube. Then screw middle tube onto bottom tube and screw top tube with middle tube, tighten all tubes properly.



Step 3: Connect plug with cable socket and secure it with plastic lock. Then lock heater head with top tube using 2pcs M3x8 screw.



Step 4: Pull power cord from under the base and lock it inside the groove under the base with plastic pin and 2pcs 3.5x13 screw.

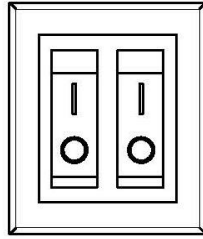


OPERATION

Place this unit on a firm, level surface and plug into a grounded 230/50Hz power outlet. Only operate this heater when it is in upright position and the base is attached. This unit is equipped with two switches for 3 settings.

Left: 800W

Right: 1200W



CARE AND MAINTENANCE

- Unplug the unit and let it cool completely.
- Keep this unit clean, the outer shell may be cleaned with a soft, damp cloth. You may use a mild detergent if necessary. After cleaning, dry the unit with a soft cloth.
- Do not use alcohol, gasoline, abrasive powders, furniture polish, or rough brushes to clean the heater. This may cause damage or deterioration to the surface of the heater.
- Although this heater can be used outdoors, for your safety, do not immerse the heater in water or allow it to get wet.
- Wait till the unit is completely dry before use.
- Any maintenance or repairs including replacing the halogen tube should only be carried out by a qualified electrician or by a recommended service center.

SPECIFICATION

Rating: 230V/50Hz

Power: 2000W

IP rating: IPX4

Item size: 220cm (H) x 74cm (D)

DISPOSAL

Environmental Protection

Waste electrical production should not be disposed of with household waste. Please recycle where facilities exist. Check with your Local Authority or retailer for recycling advice.



Contact information

Austria



Belgium



Croatia



Denmark



Estonia



Finland



France



Germany



Ireland



Italy



Latvia



Lithuania



Nederland



Norway



Poland



Portugal



Spain



Sweden



Switzerland



UK

