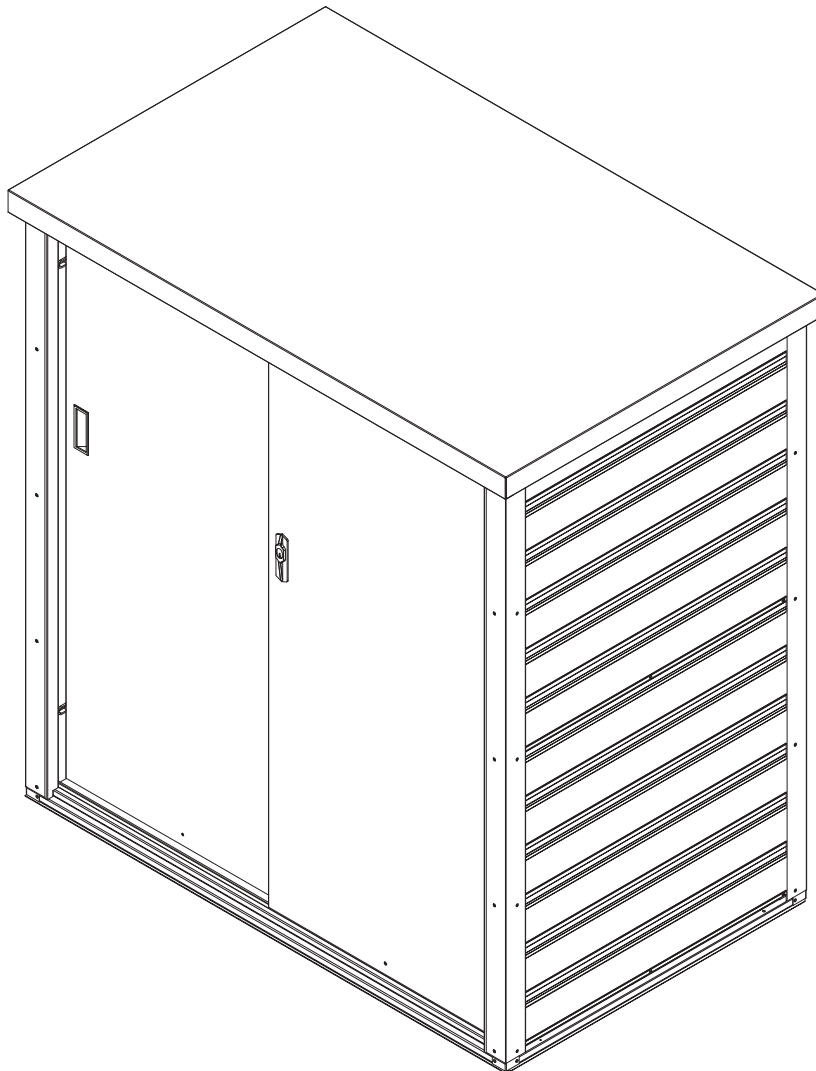


Manual
for
ProShed Cabinet Storage
1,25x0,8x1,31m



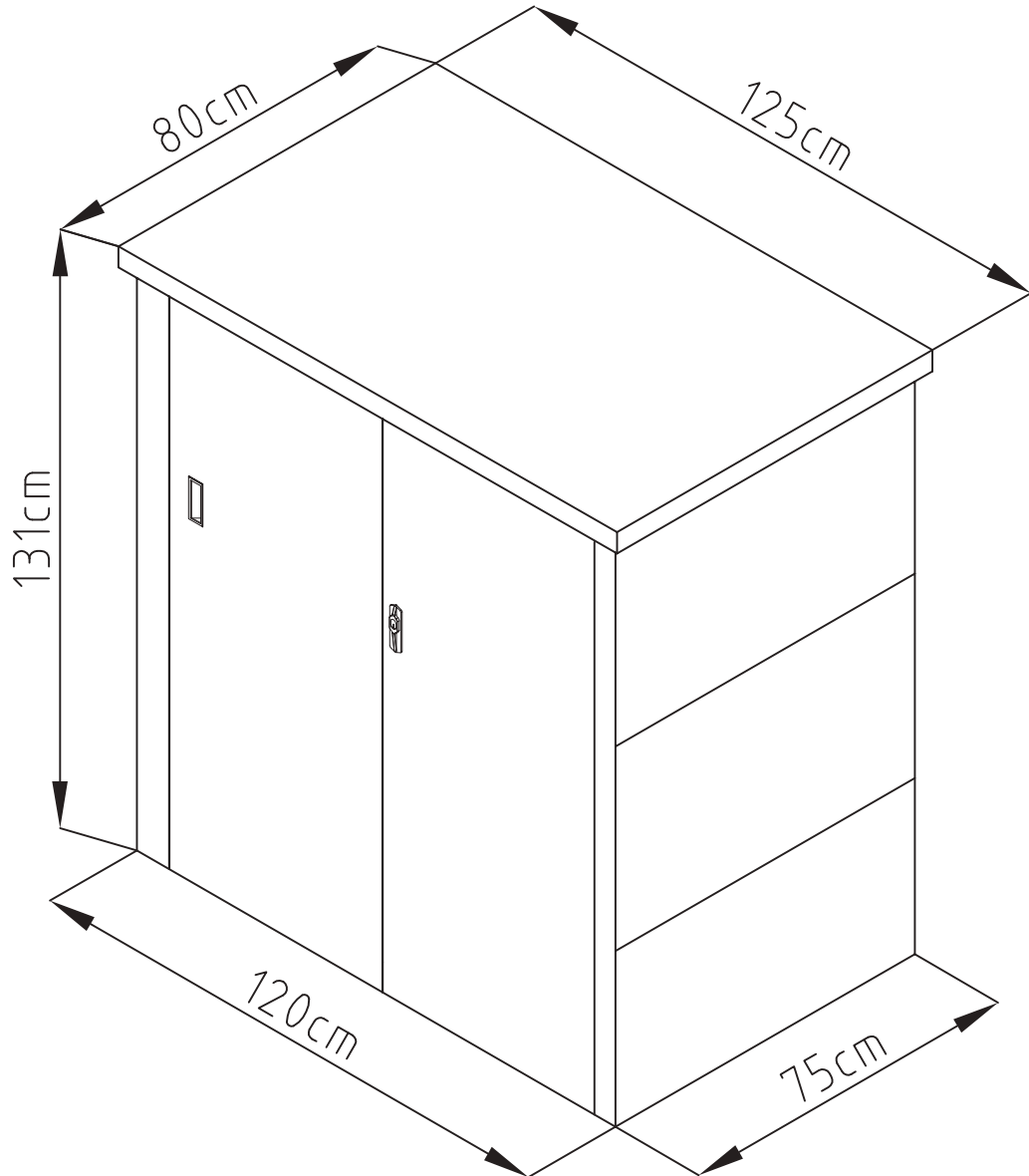
Metal Shed

OWNER'S MANUAL / Instructions for Assembly

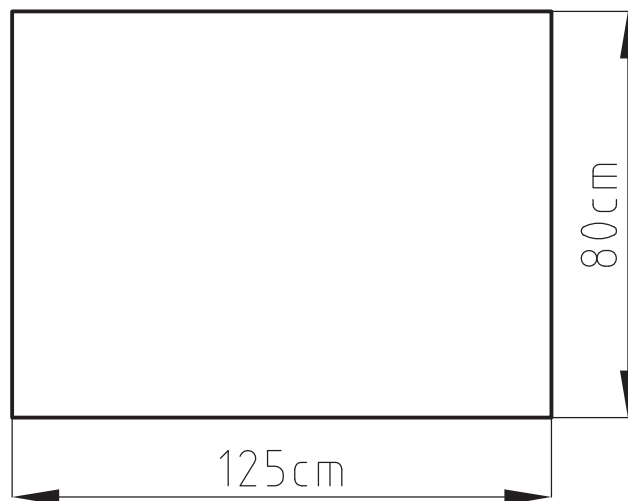


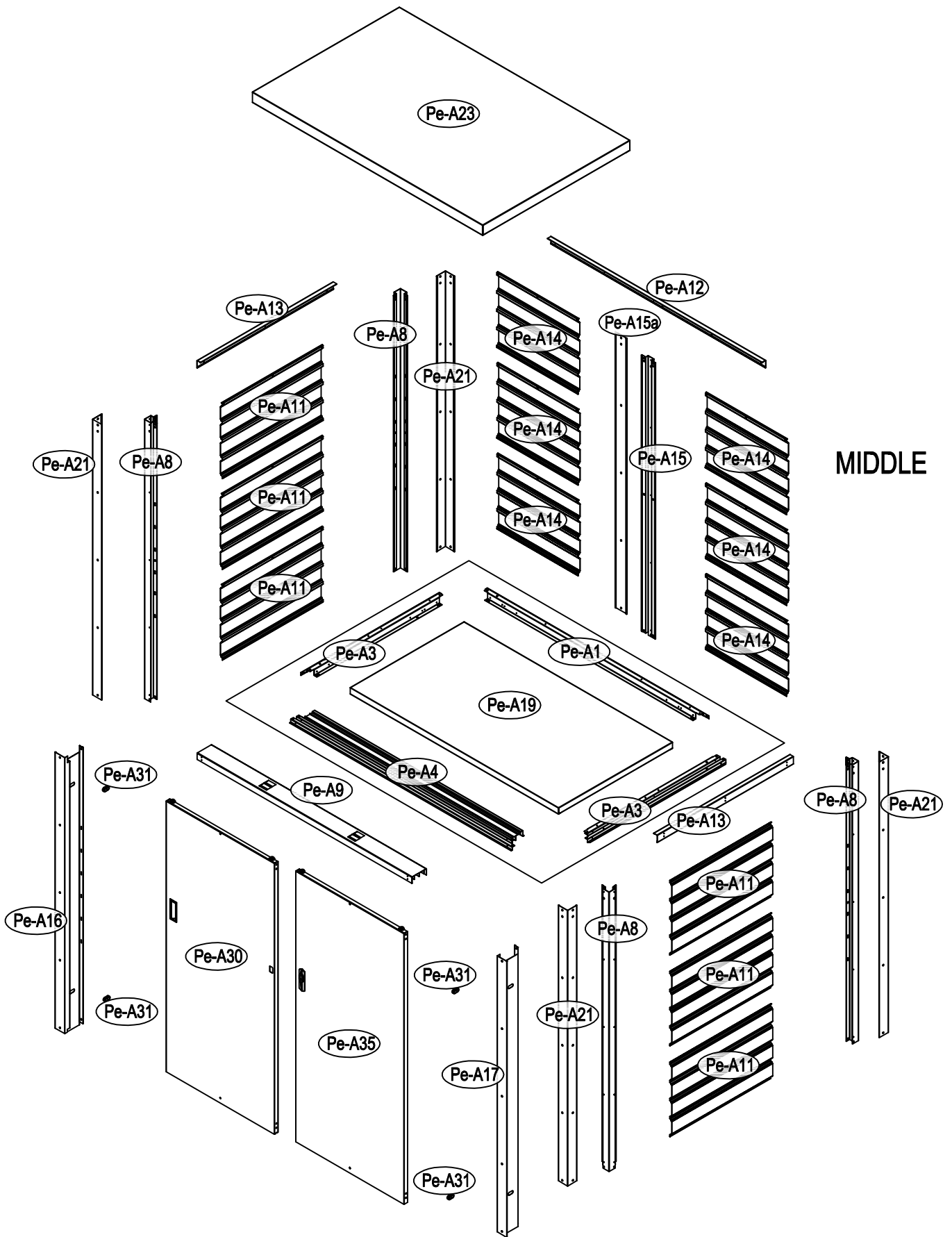
Requires two people for Installation.

Size:

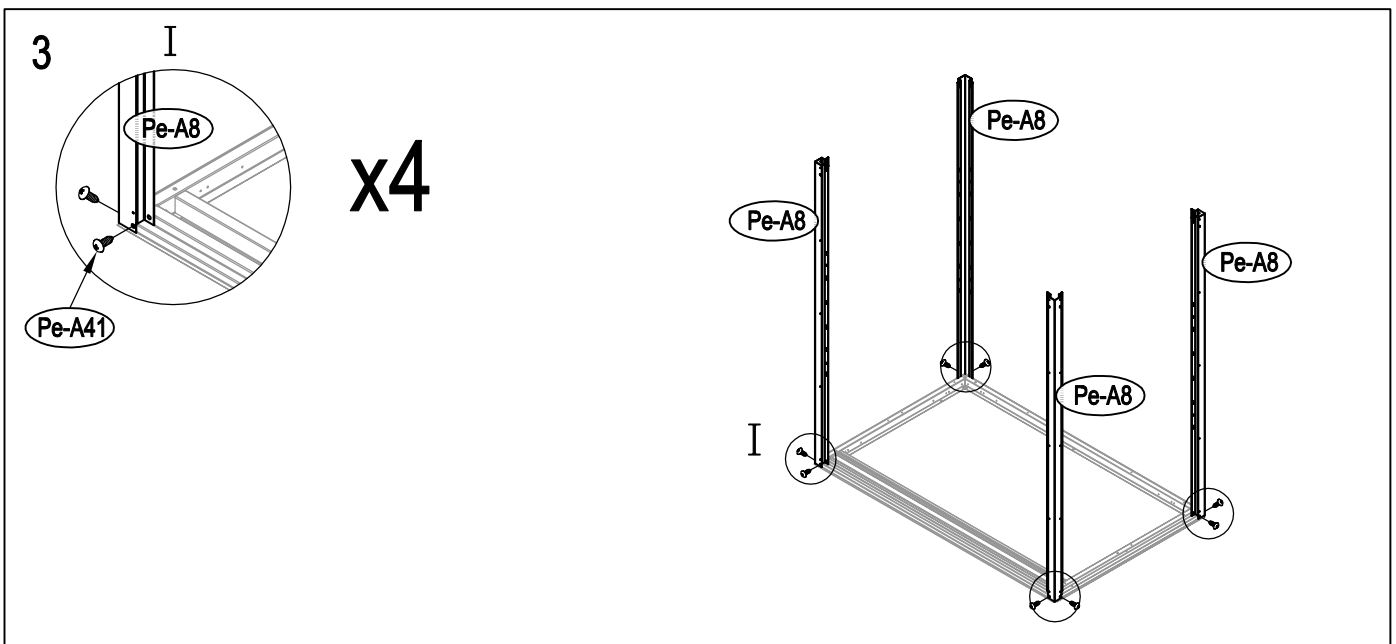
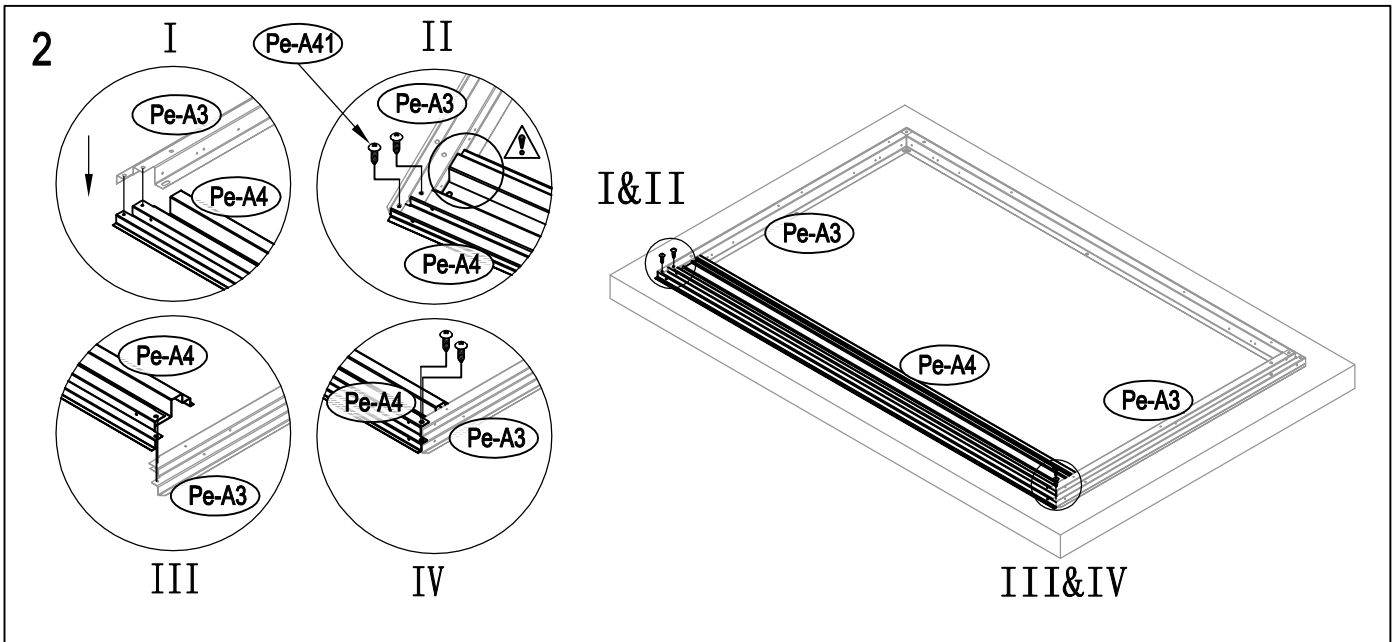
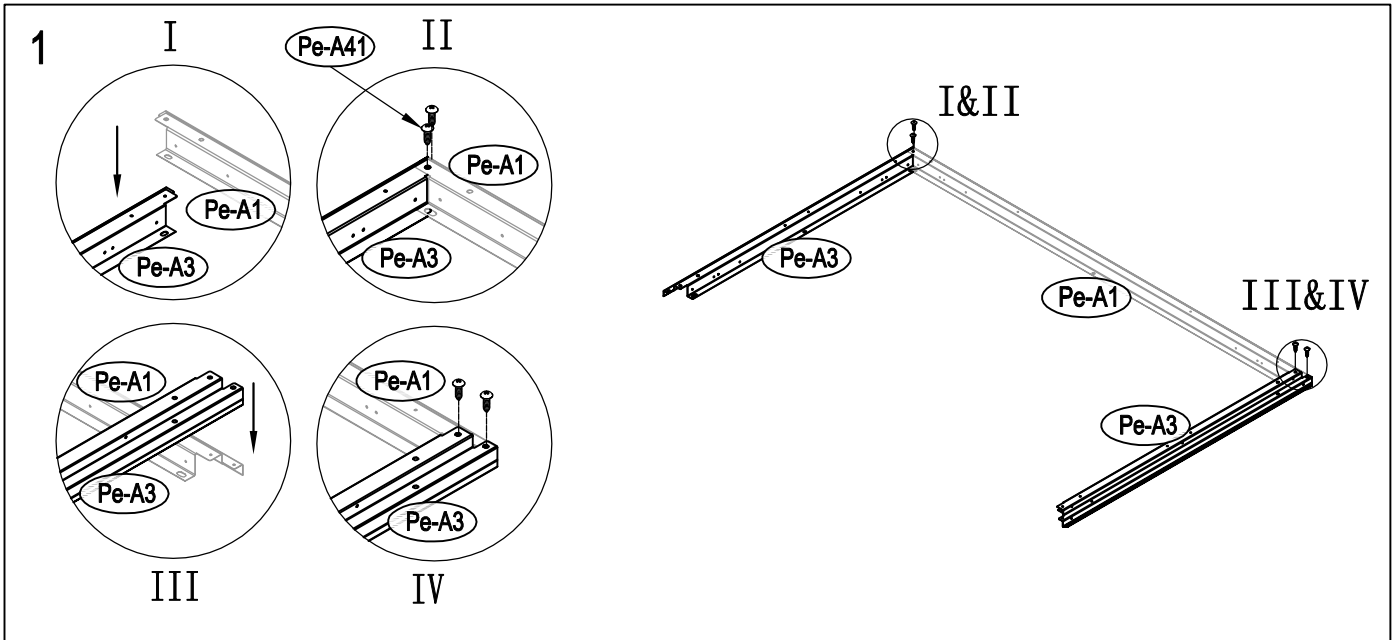


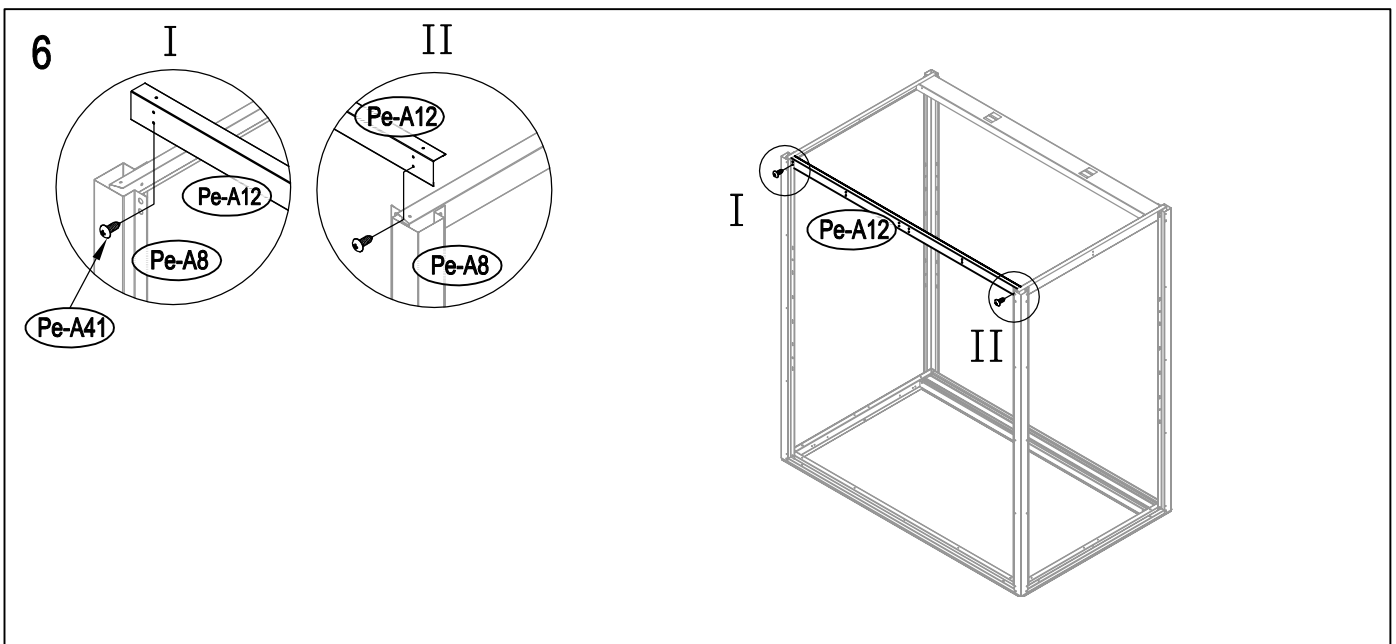
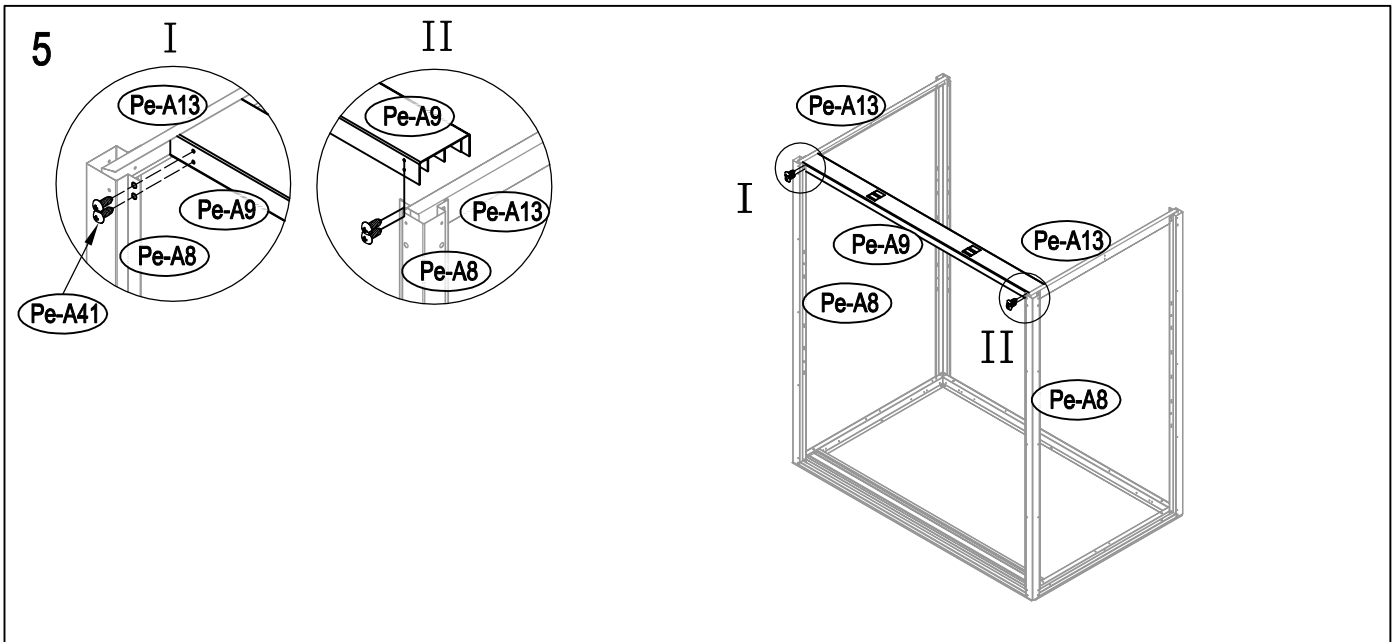
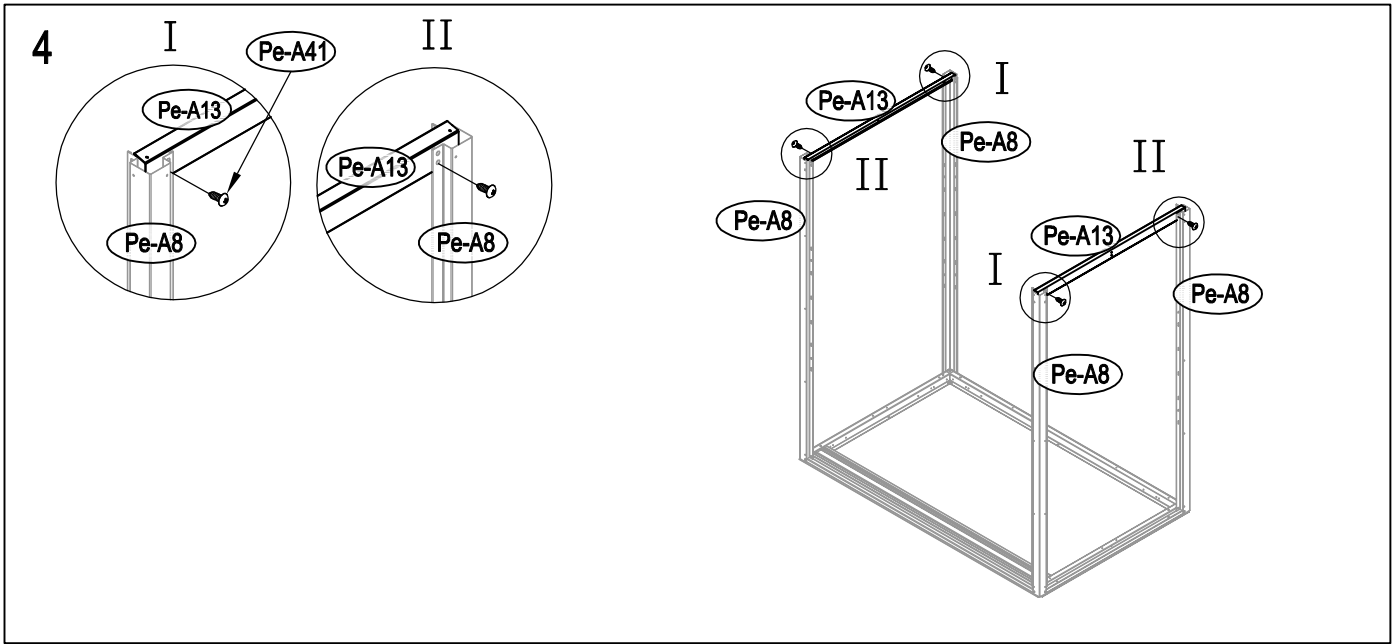
Area of installation requirement:

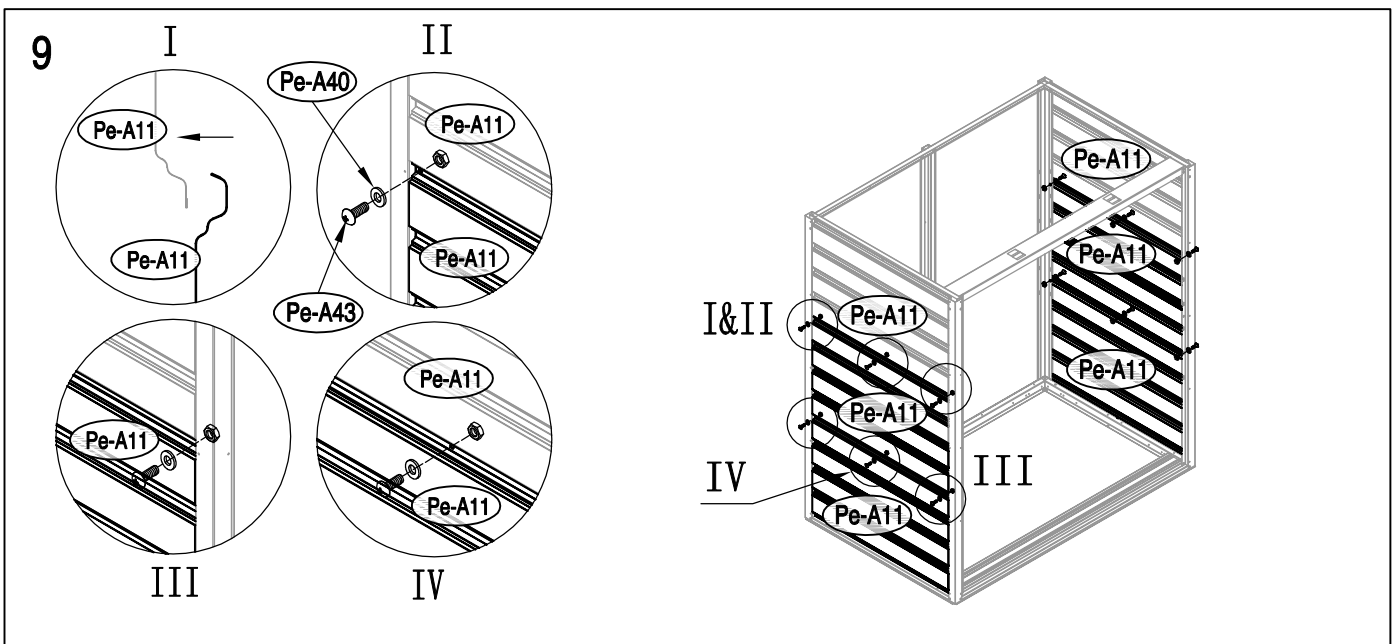
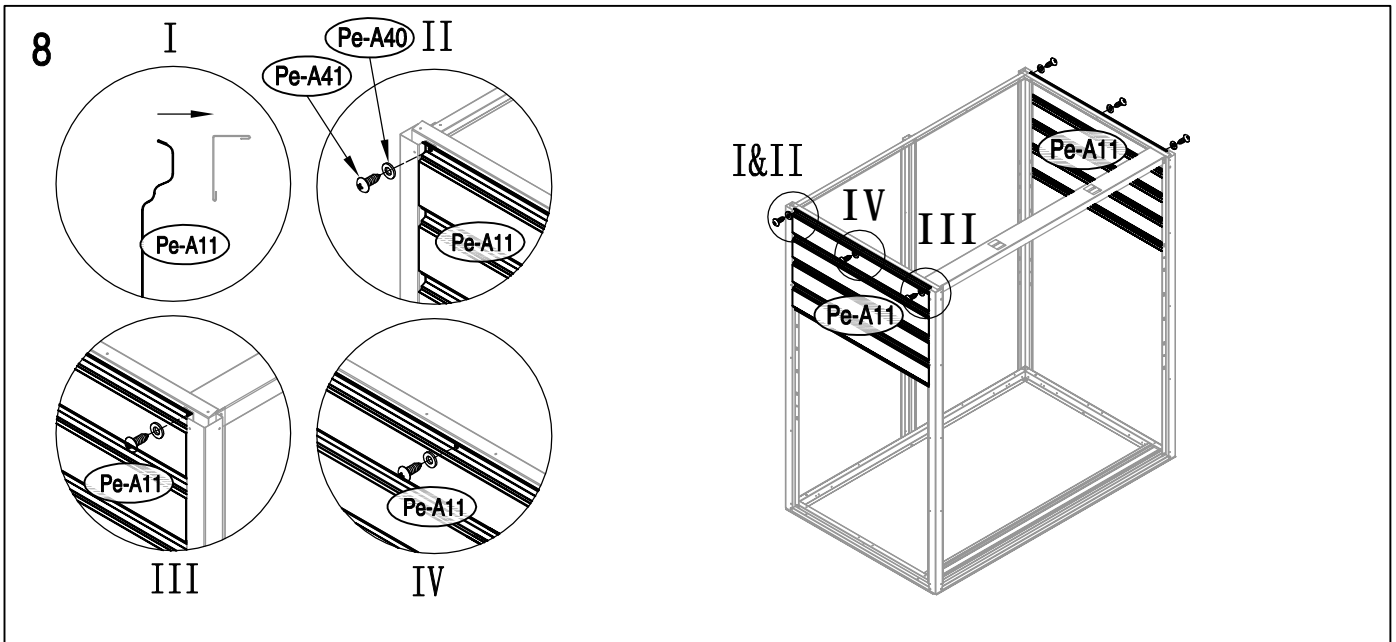
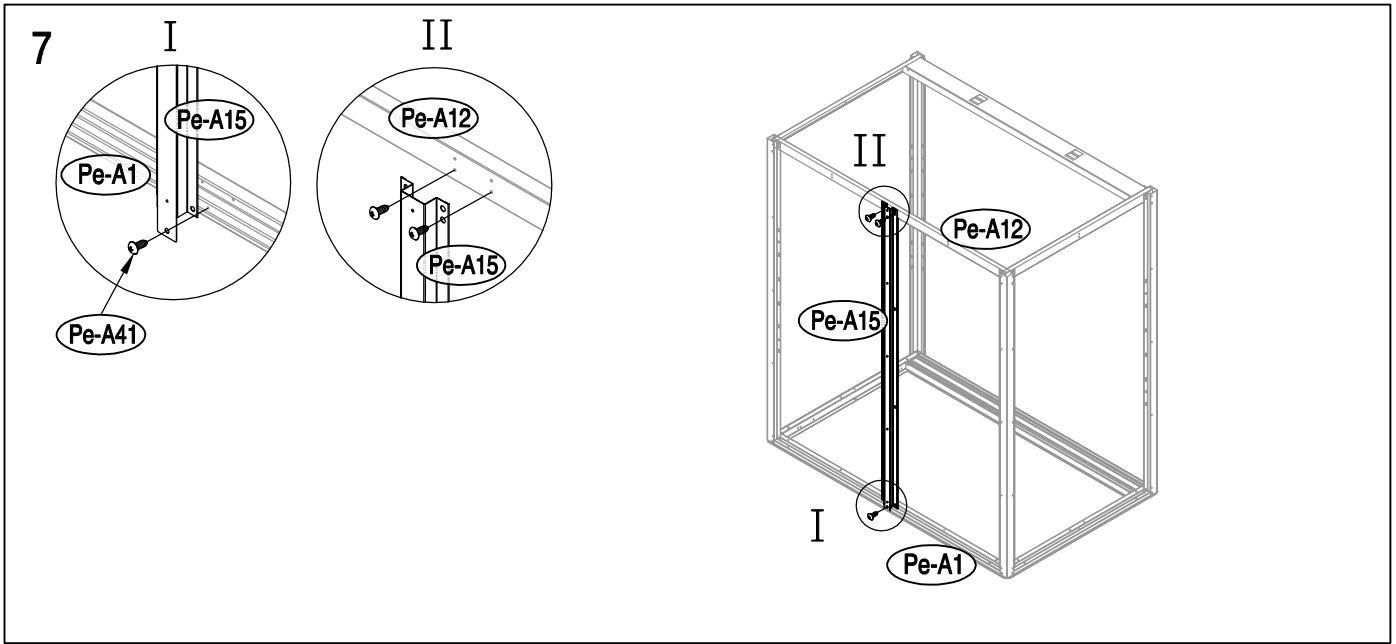


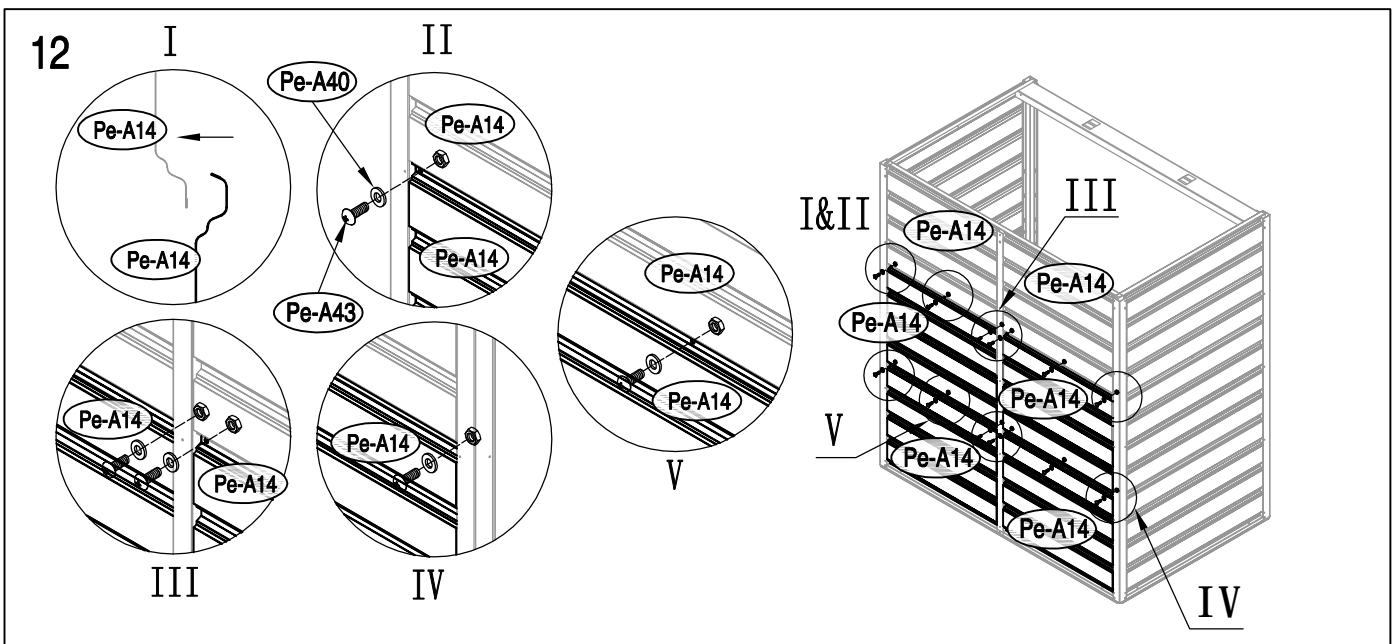
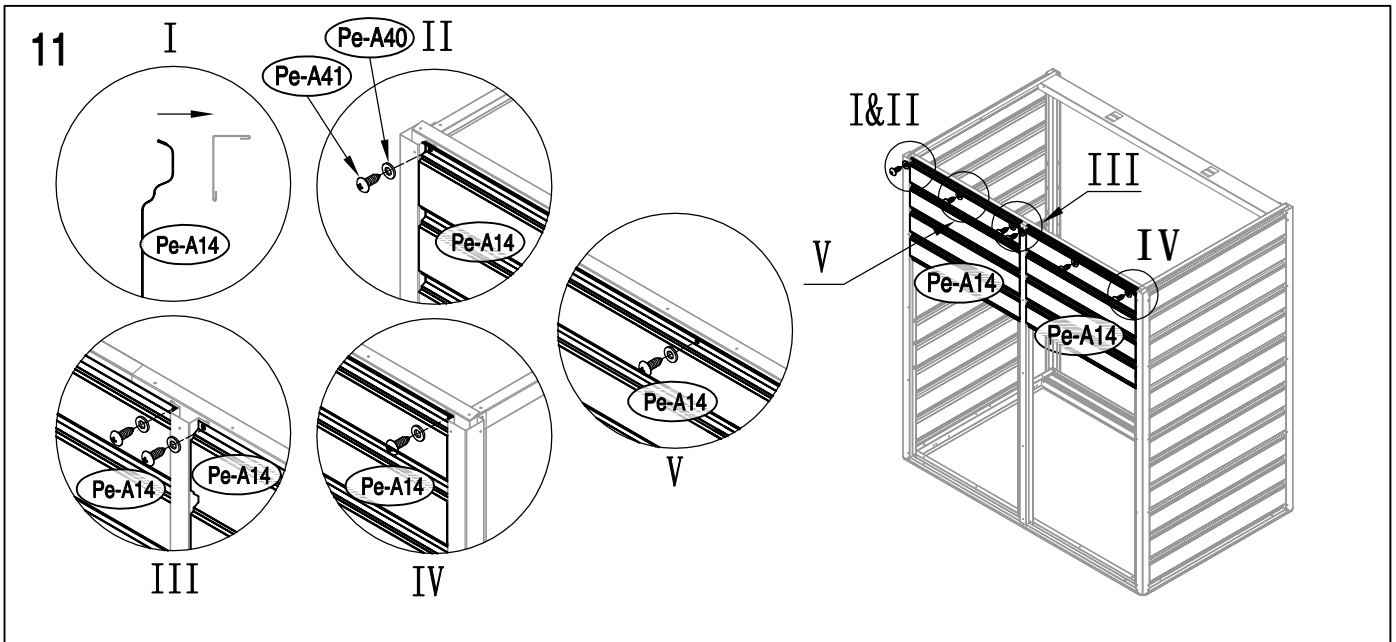
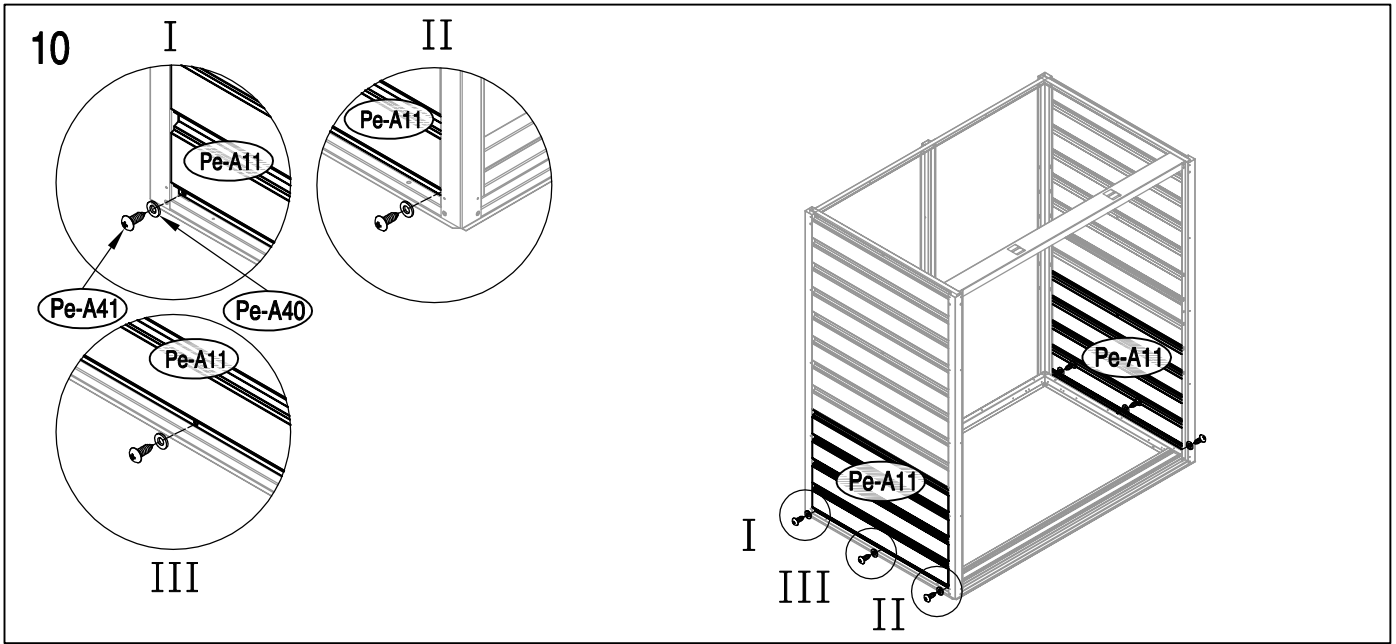


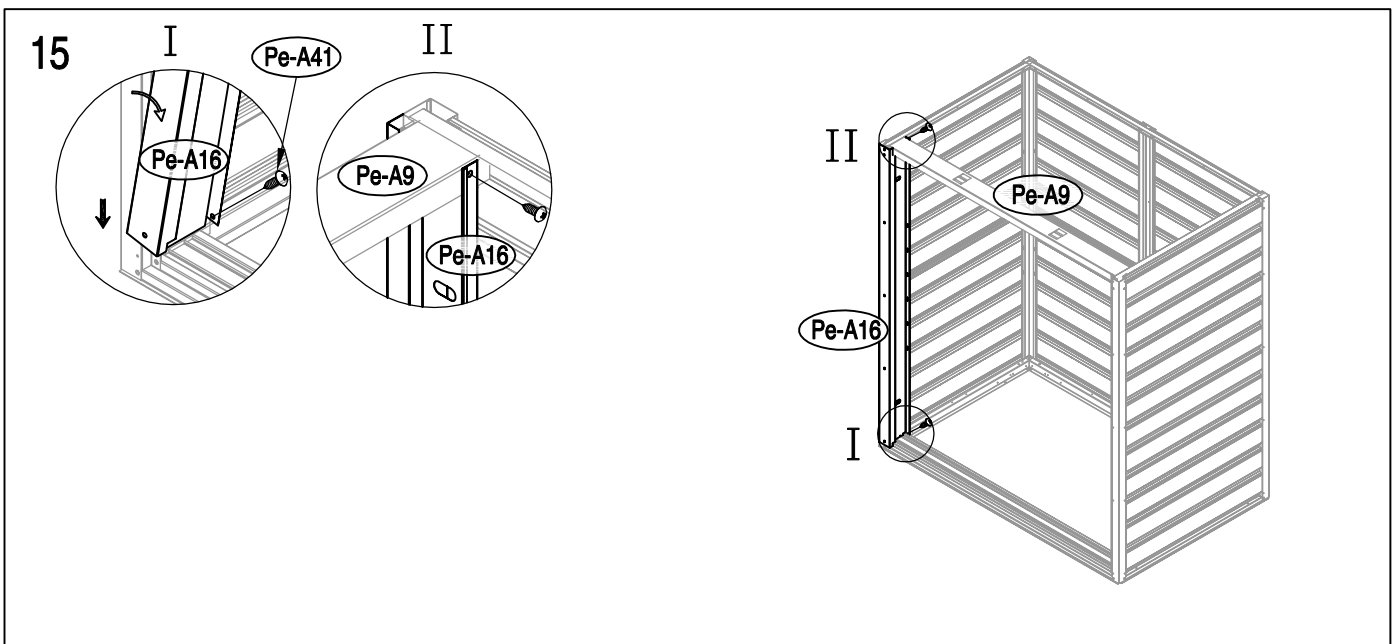
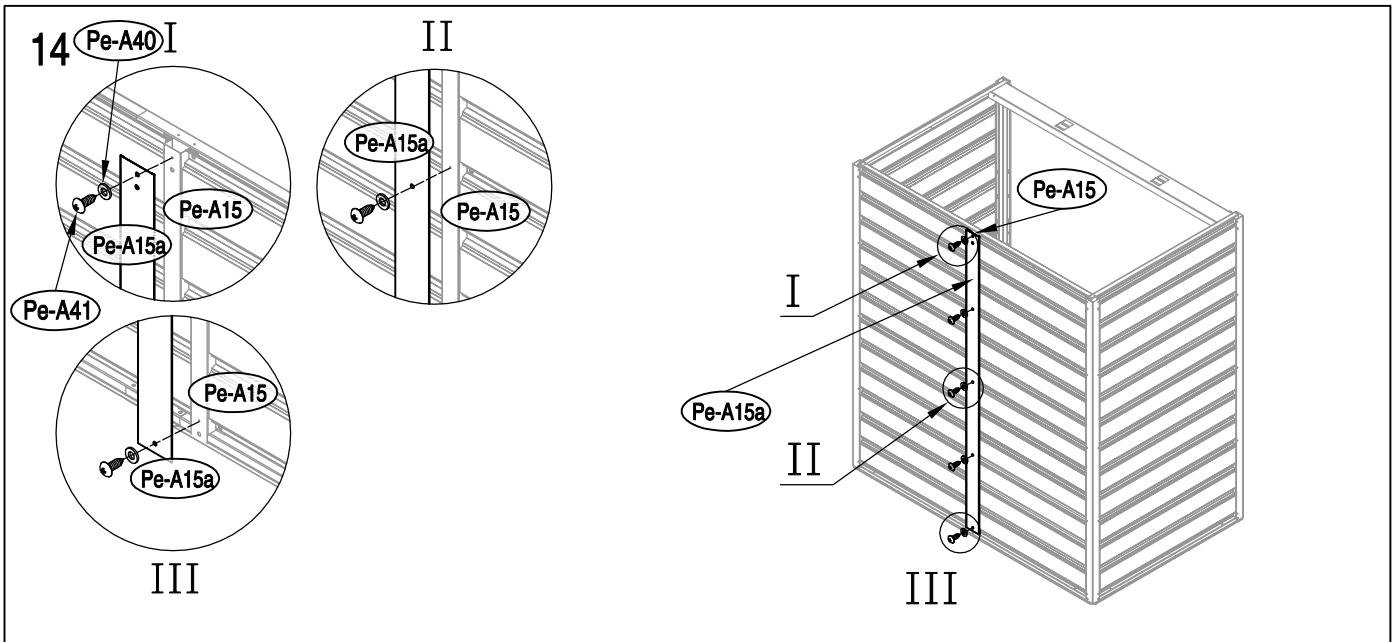
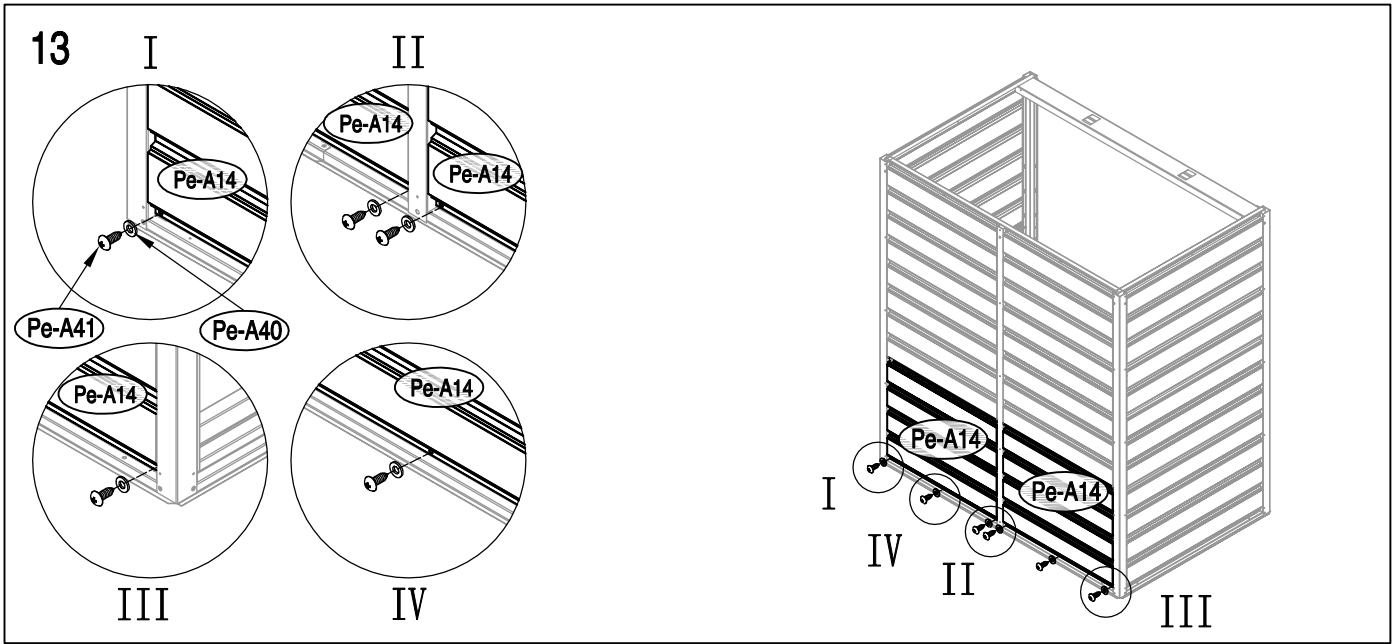
MIDDLE

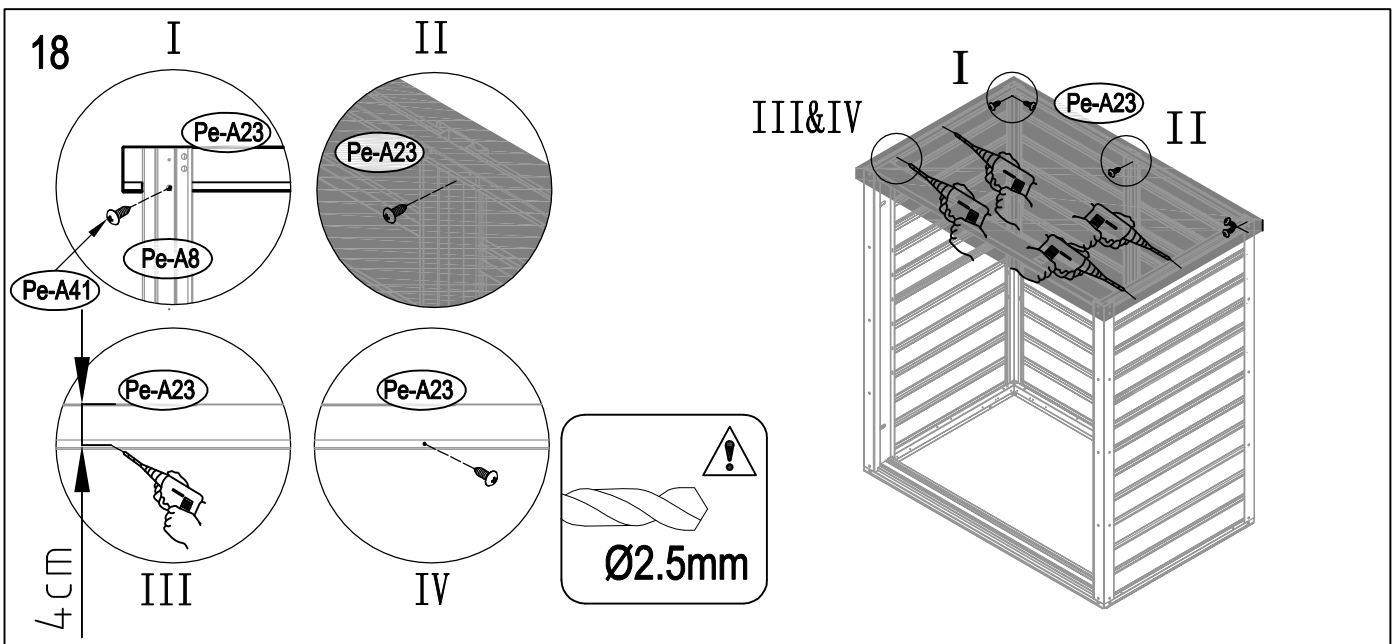
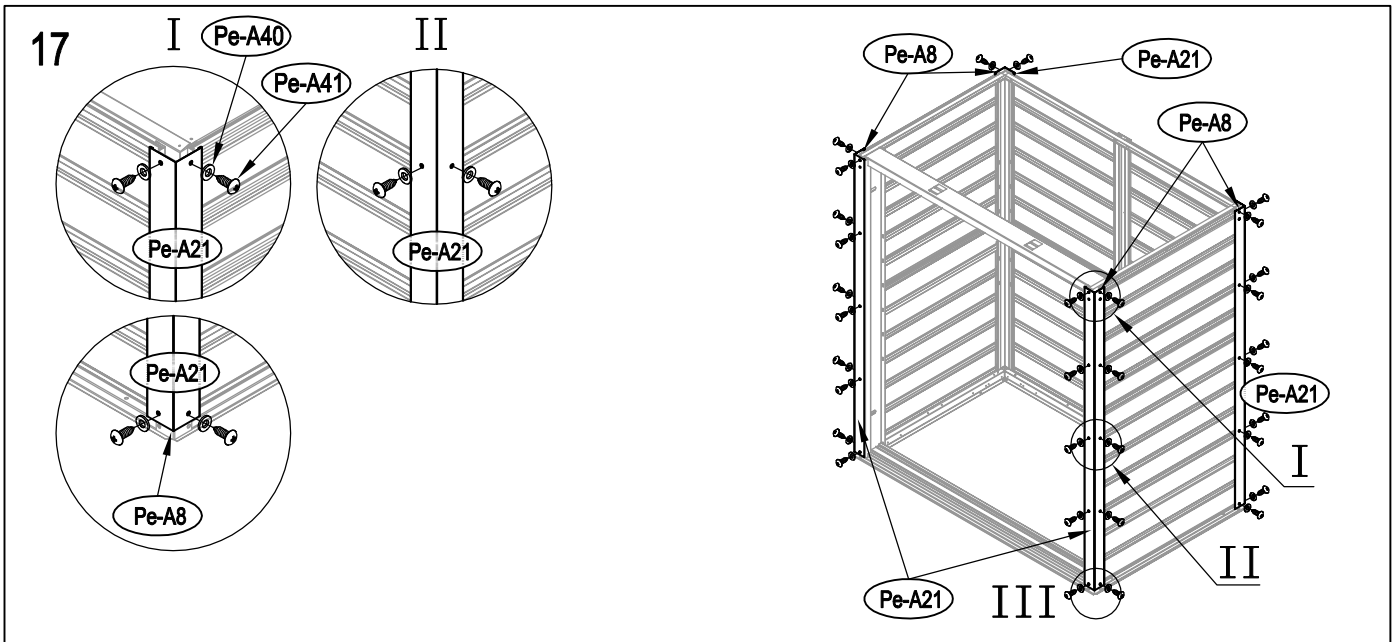
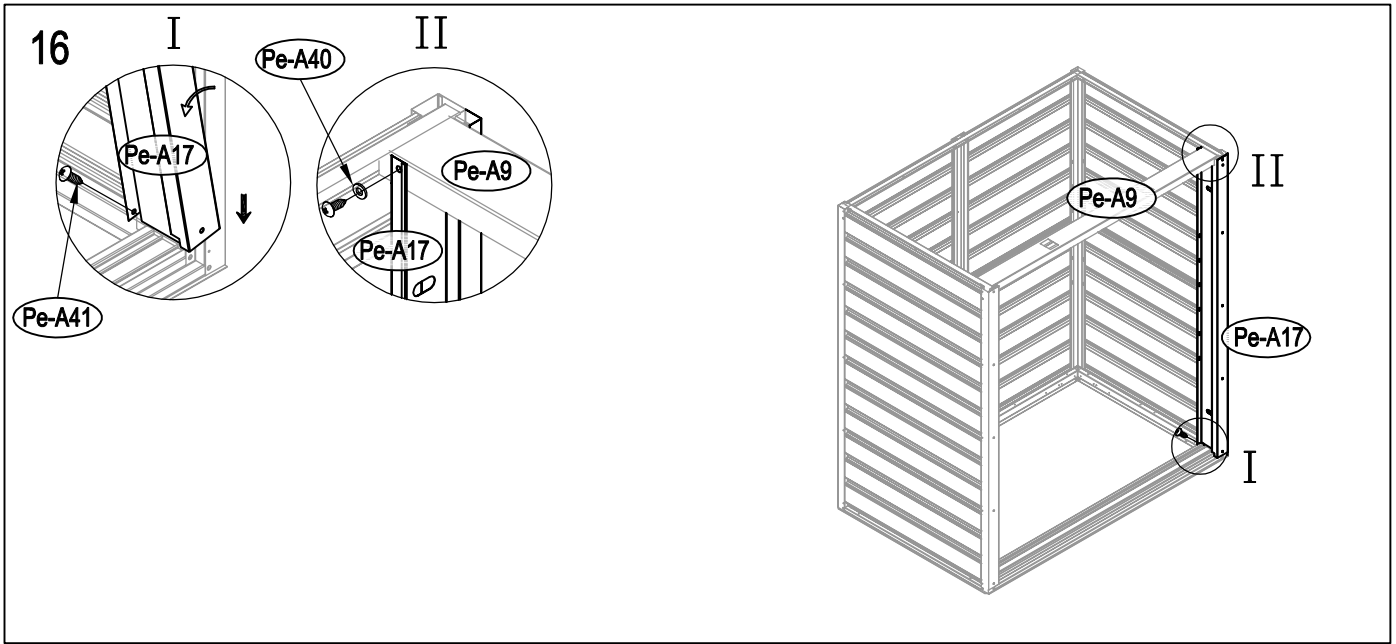






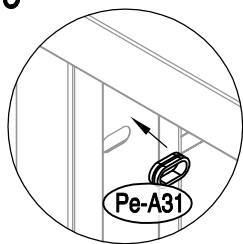




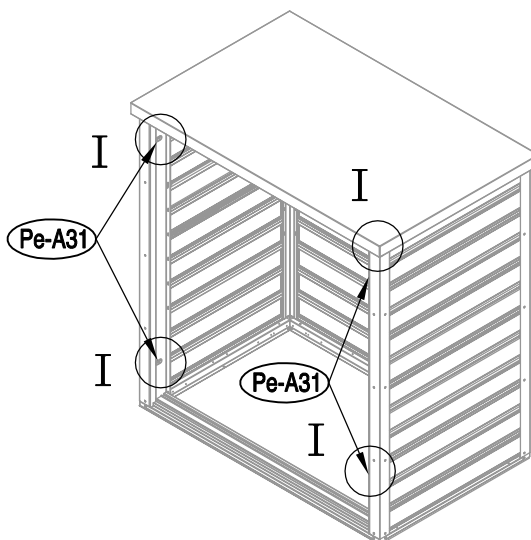


19

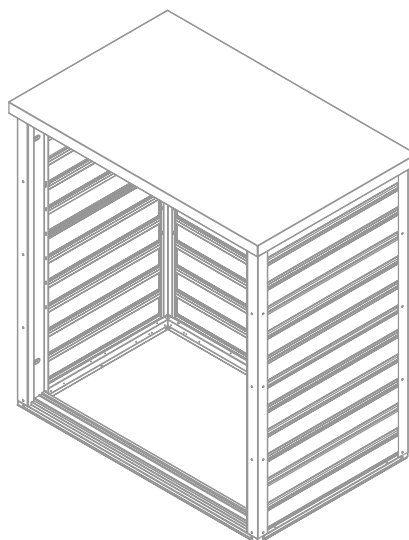
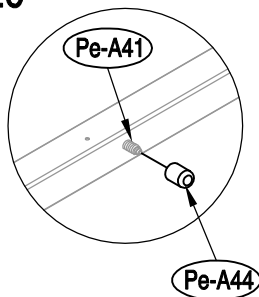
I



x4



20

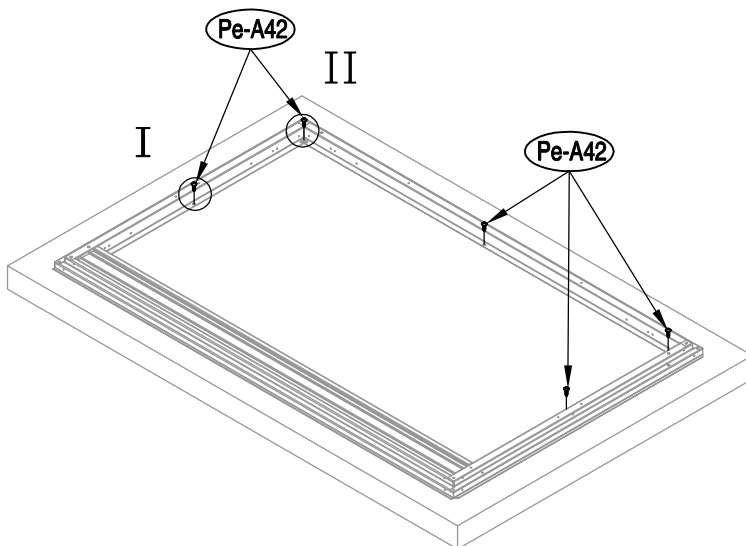
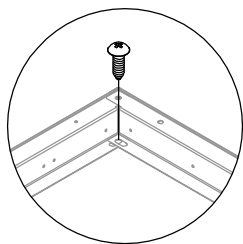
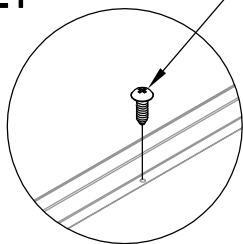


21

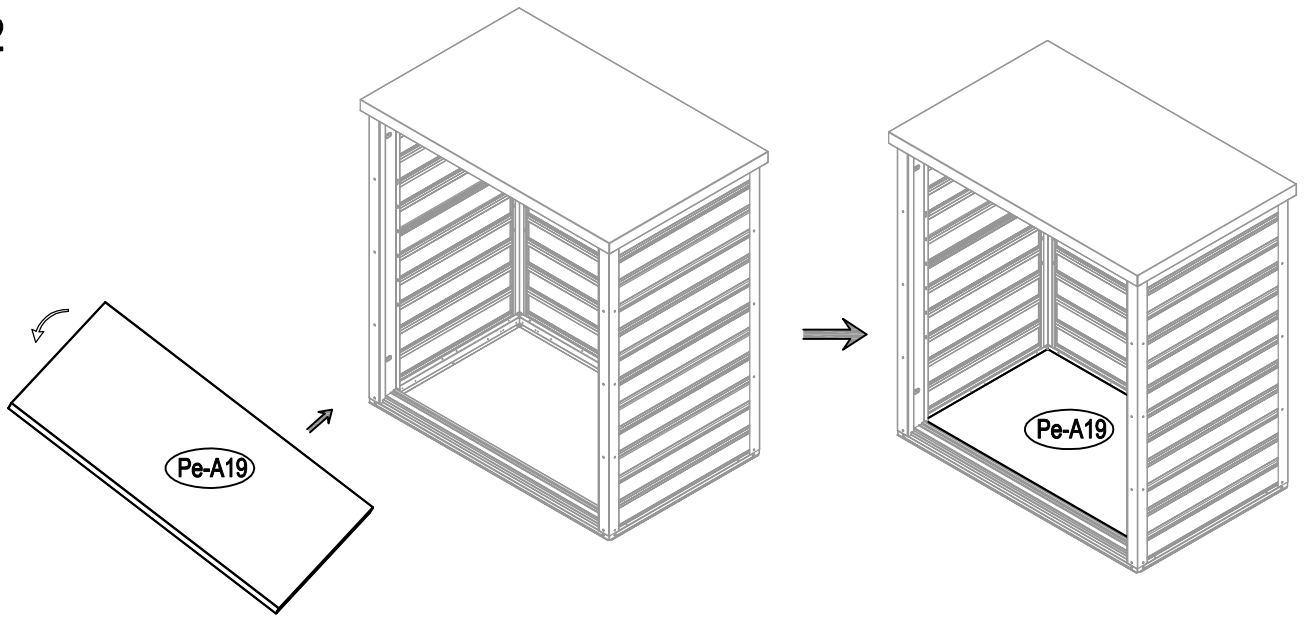
I

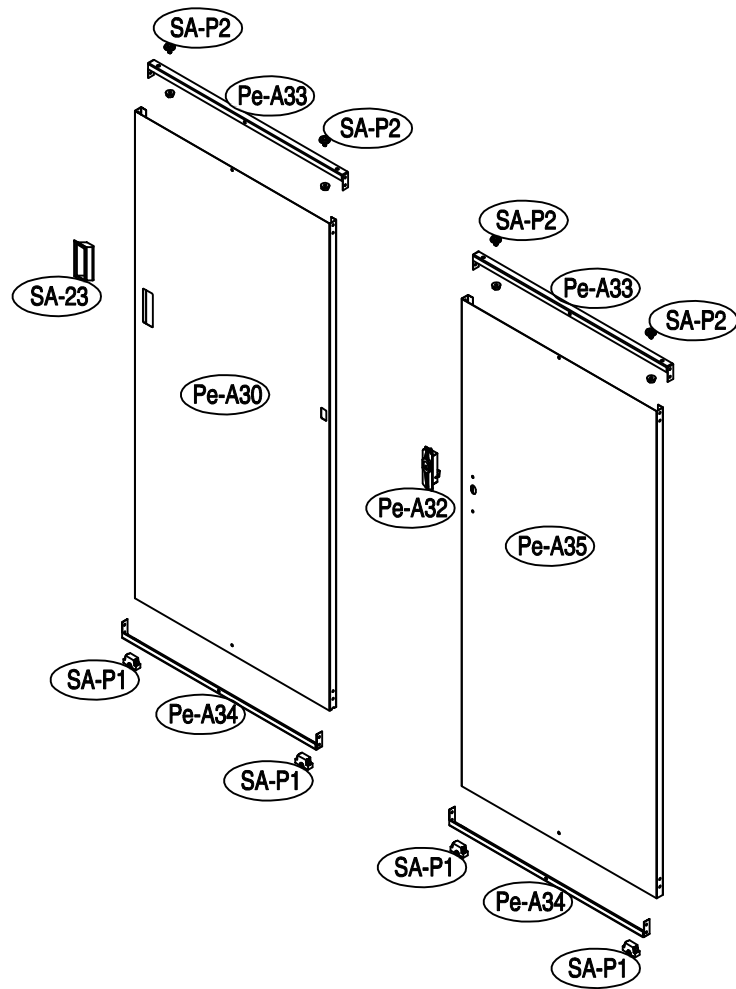
Pe-A42

II

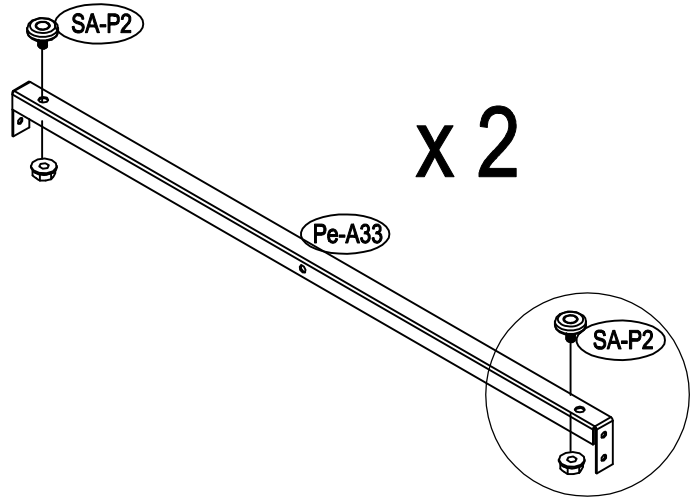
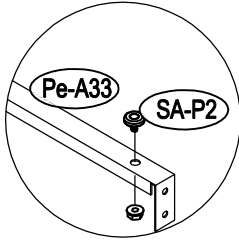


22

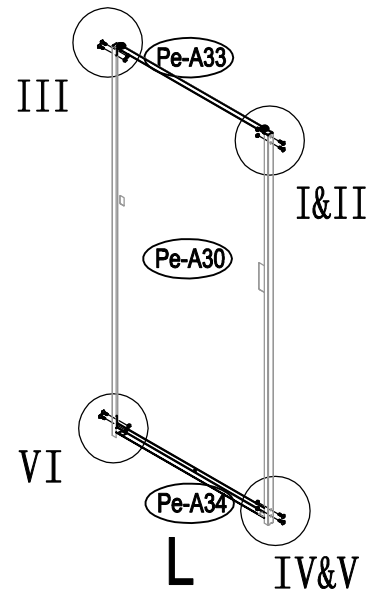
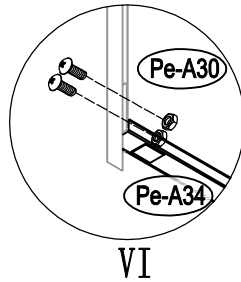
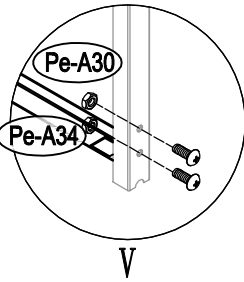
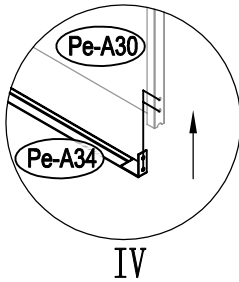
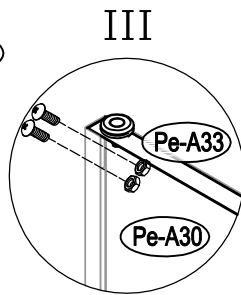
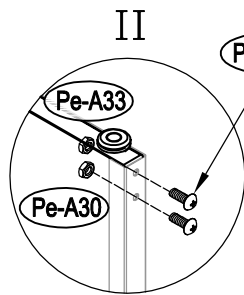
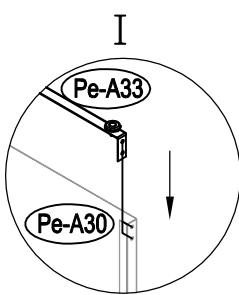




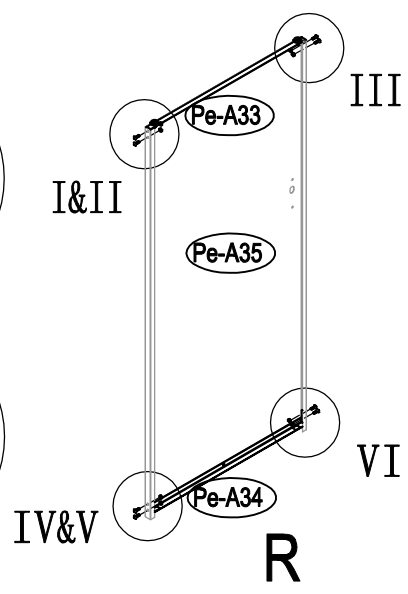
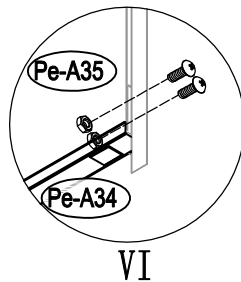
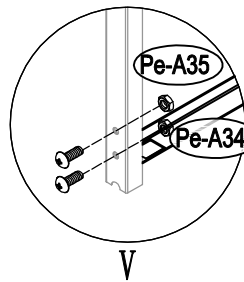
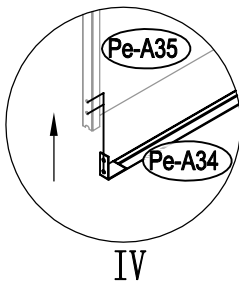
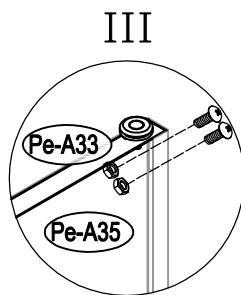
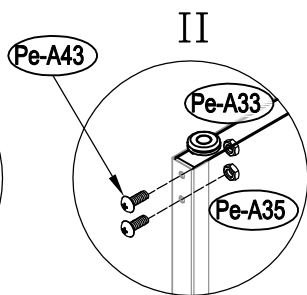
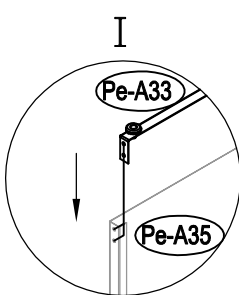
1

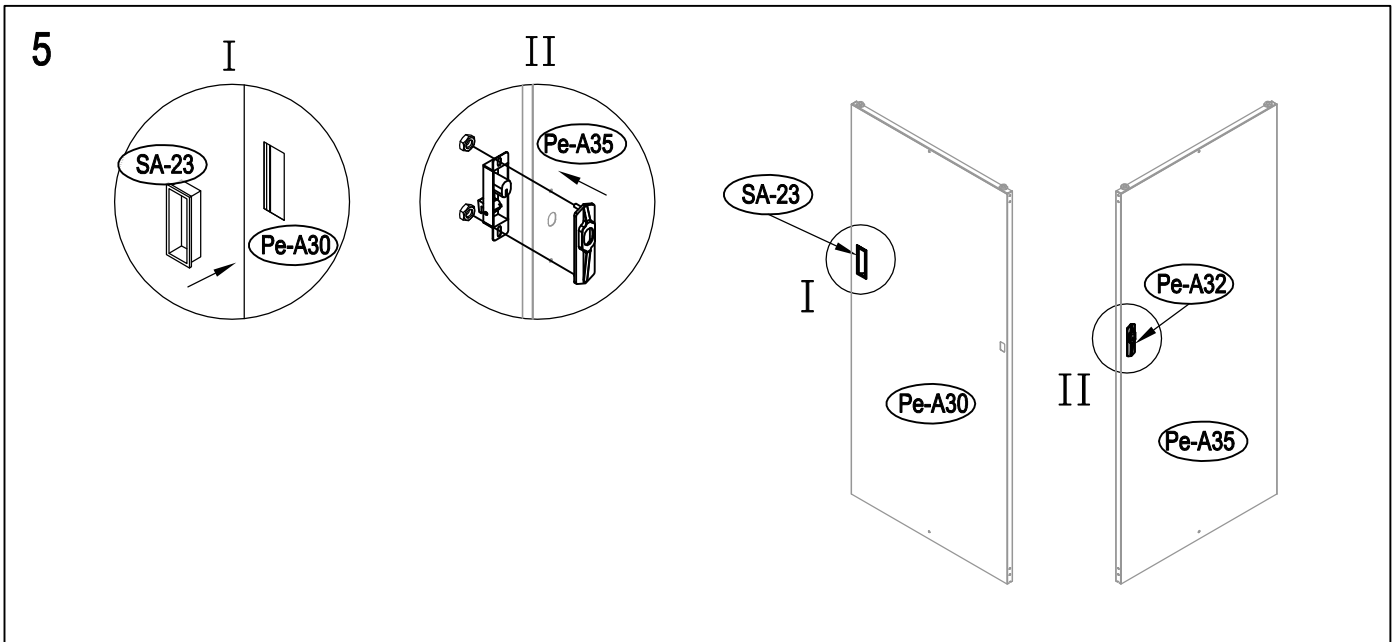
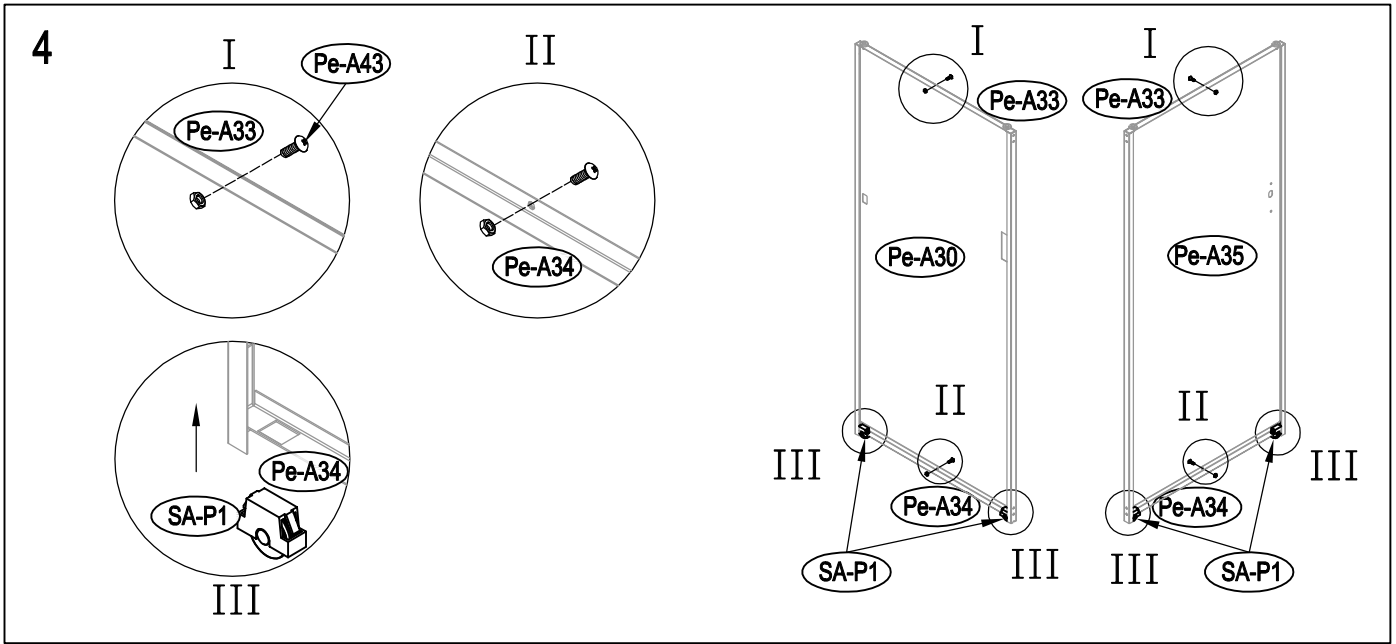


2

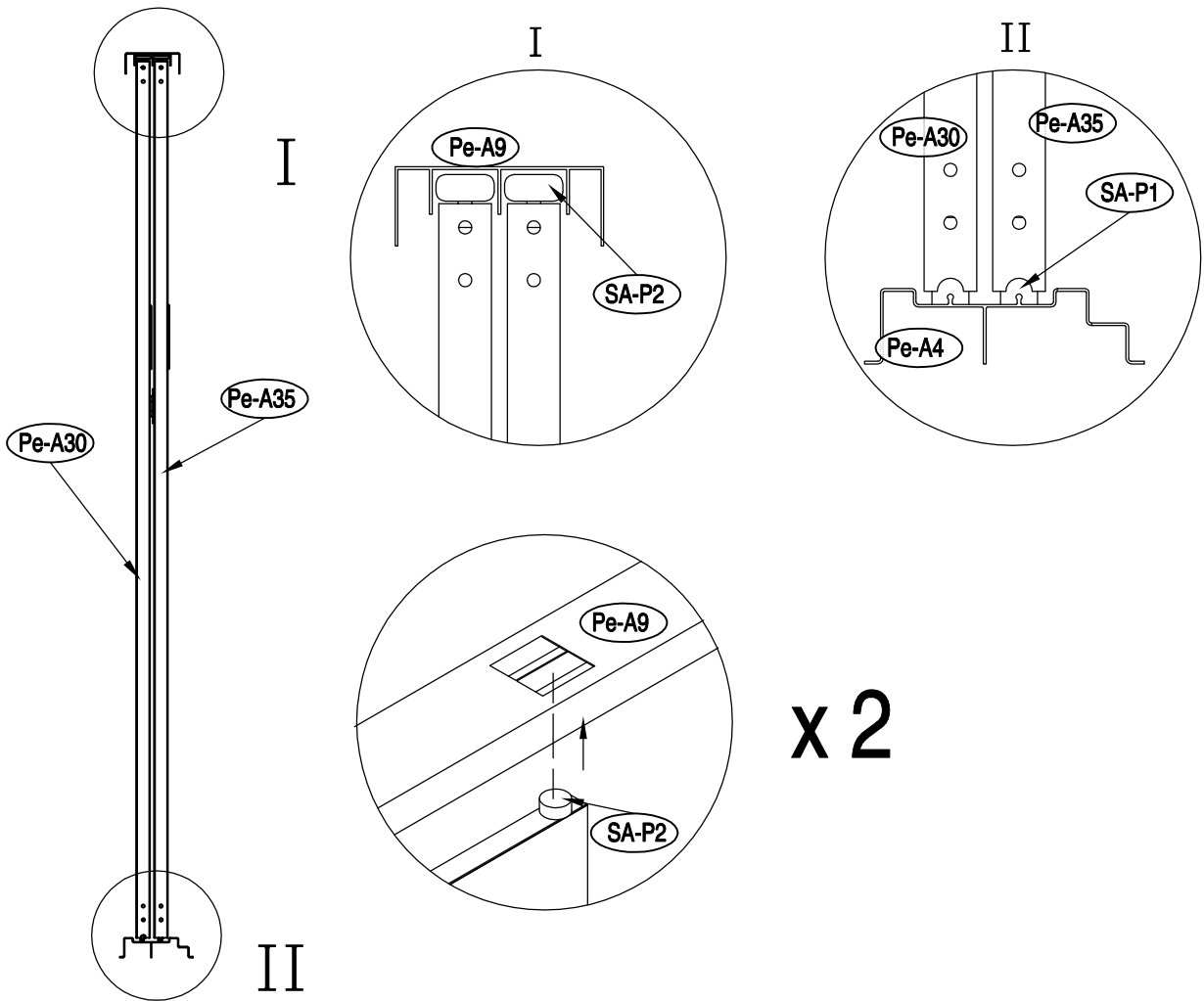
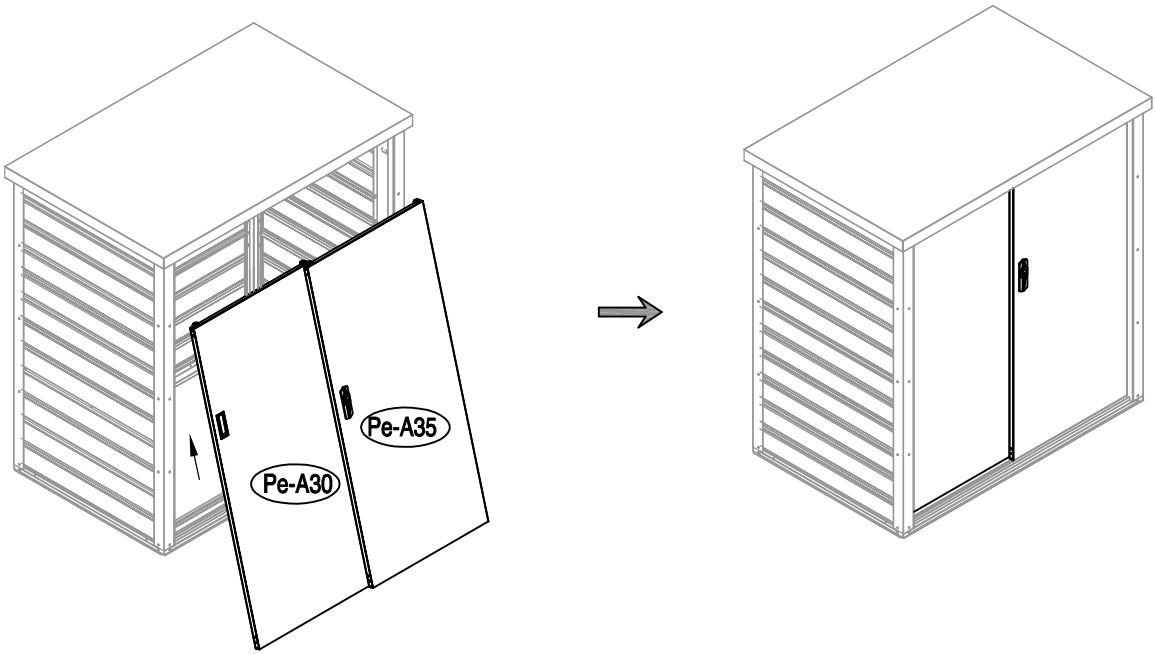


3





6



Contact information

Head office:

Dancover A/S
Lyngevej 16A, Nørre Herlev
3400 Hillerød
Denmark

For more information
please visit:

www.dancovershop.com

National contact

Denmark:

denmark@dancover.com

UK:

uk@dancover.com

Germany:

germany@dancover.com

France:

france@dancover.com

Sweden:

sverige@dancover.com

Finland:

suomi@dancover.com

Poland:

polska@dancover.com

Luxembourg:

luxembourg@dancover.com

Portugal:

portugal@dancover.com

Spain:

espana@dancover.com

Italy:

italia@dancover.com

Switzerland:

schweiz@dancover.com

Austria:

austria@dancover.com

Norway:

norge@dancover.com

Nederland:

nederland@dancover.com

Ireland:

ireland@dancover.com

Belgium:

belgique@dancover.com