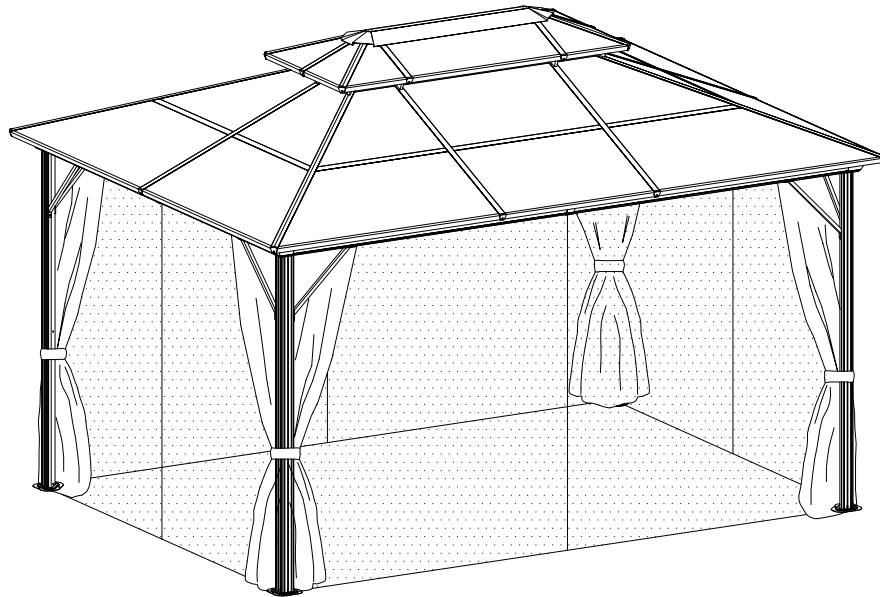
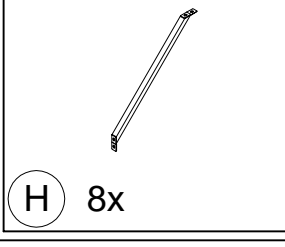
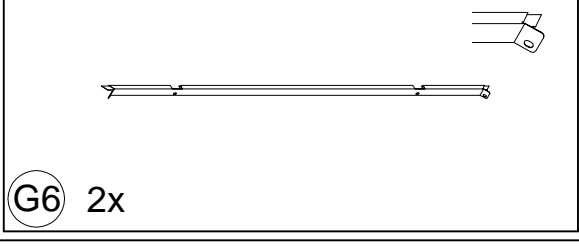
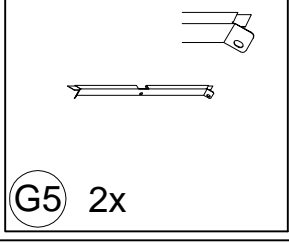
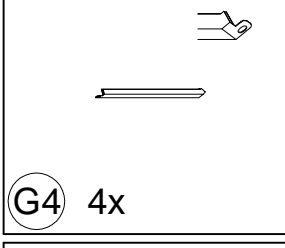
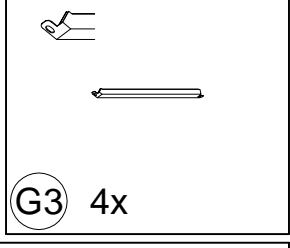
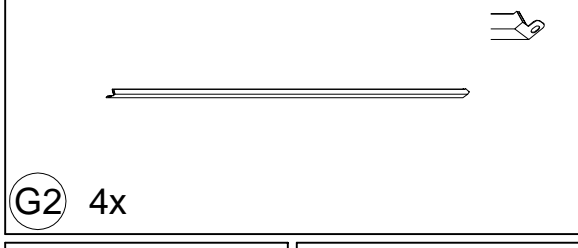
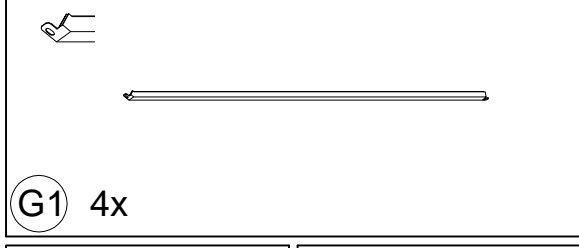
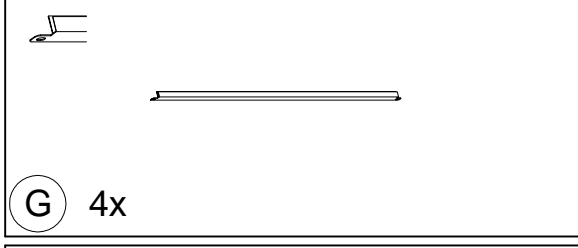
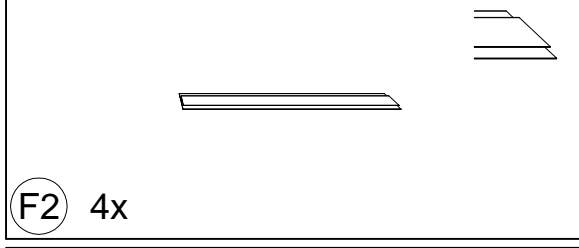
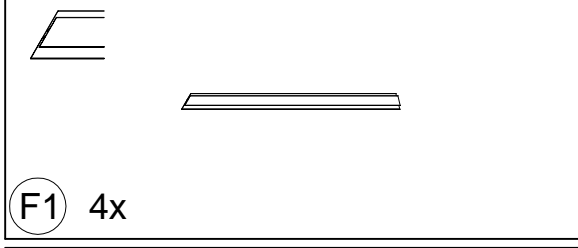
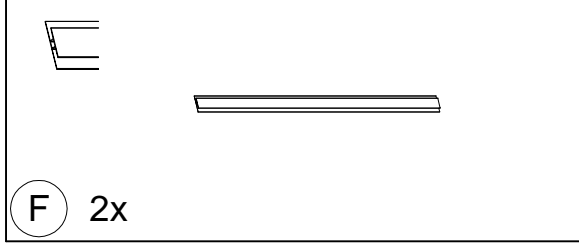
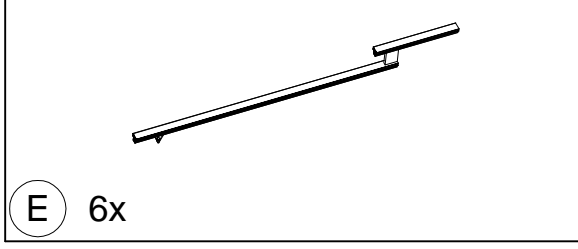
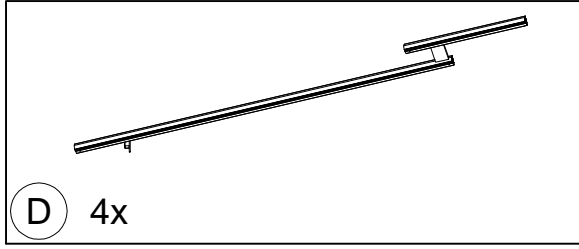
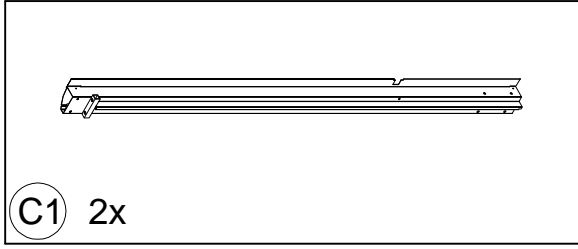
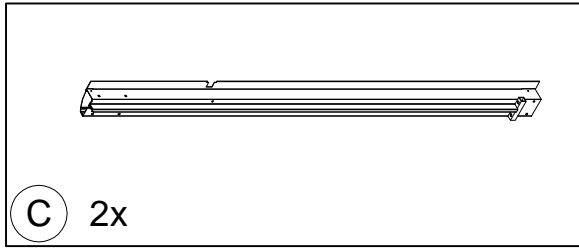
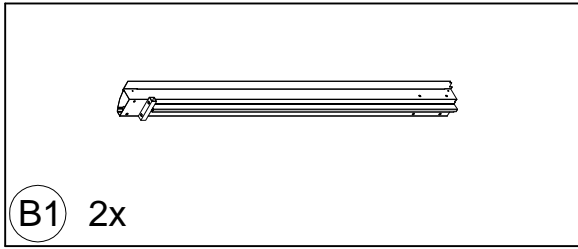
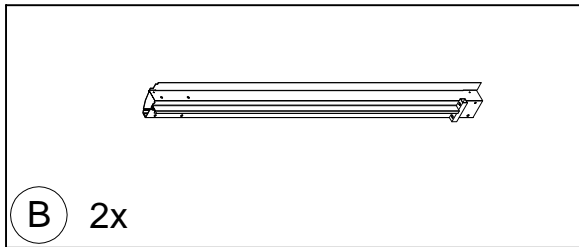
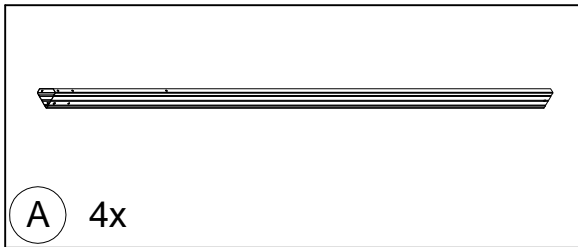


CosyLifeStyle[®]

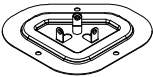
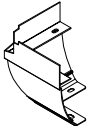

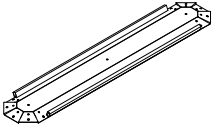
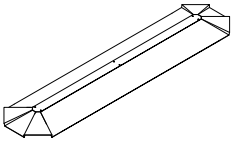


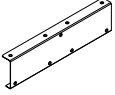
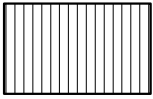
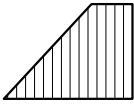
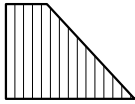
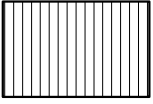
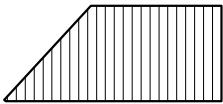
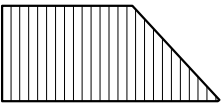
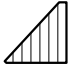

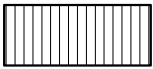
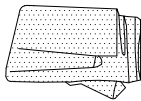
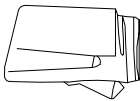

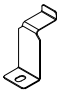






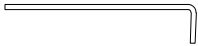
Manual
for
Gazebo Santa Ana
3x4m

3 x 4 M





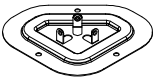
2

			
(J) 4x	(K) 4x	(K1) 4x	(L) 1x
			
(M) 1x	(N) 12x	(N1) 12x	(P) 4x
			
(Q) 2x	(Q1) 4x	(Q2) 4x	(R) 2x
			
(R1) 4x	(R2) 4x	(R3) 4x	(R4) 4x
			
(R5) 2x	(S) 4x	(T) 4x	(U) 112x
			
(V) 4x	S4 1x		
			
M6x15 (1) 127x	M6x35 (2) 16x	M5x12 (3) 16x	ST4.8x12 (4) 24x
			
(5) 2x	(8) 12x		

<1>



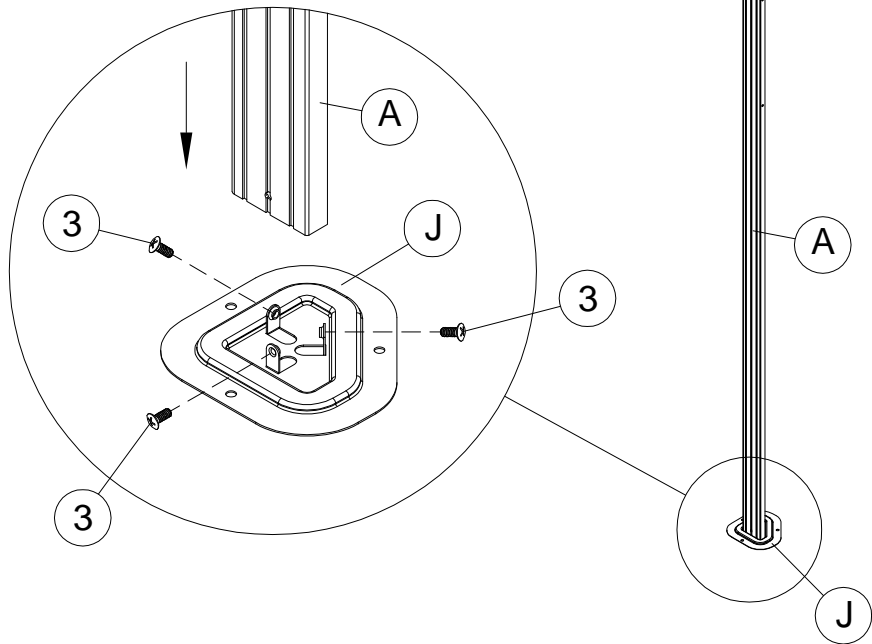
A 4x



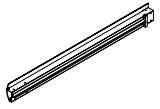
J 4x



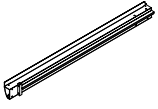
3 12x M5x12



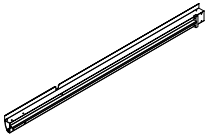
4



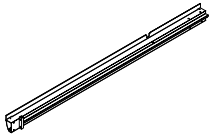
B 2x



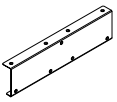
B1 2x



C 2x



C1 2x



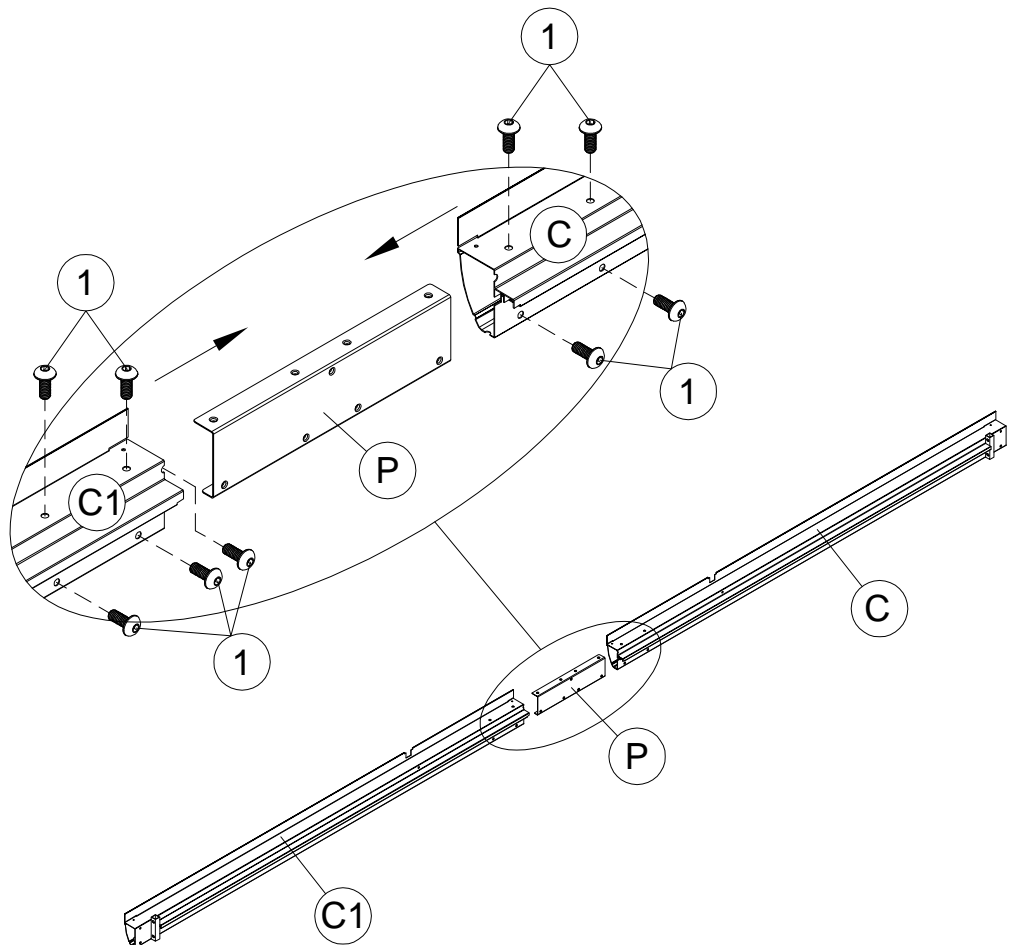
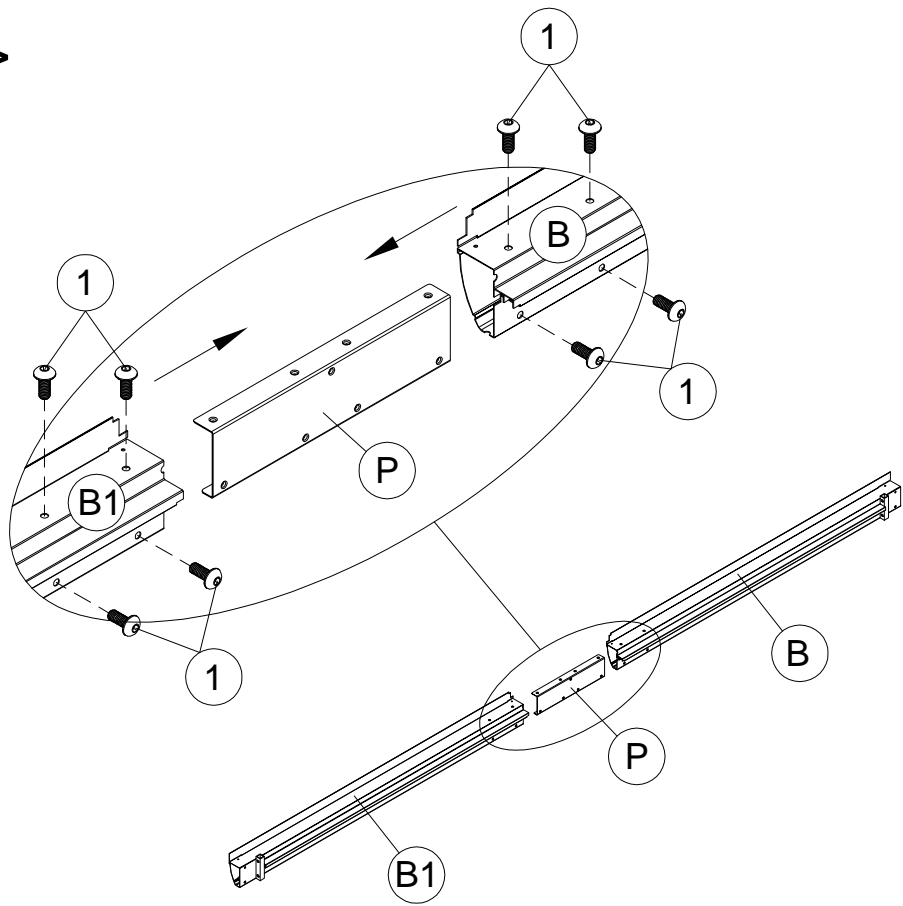
P 4x



1 34x M6x15

5

<2>



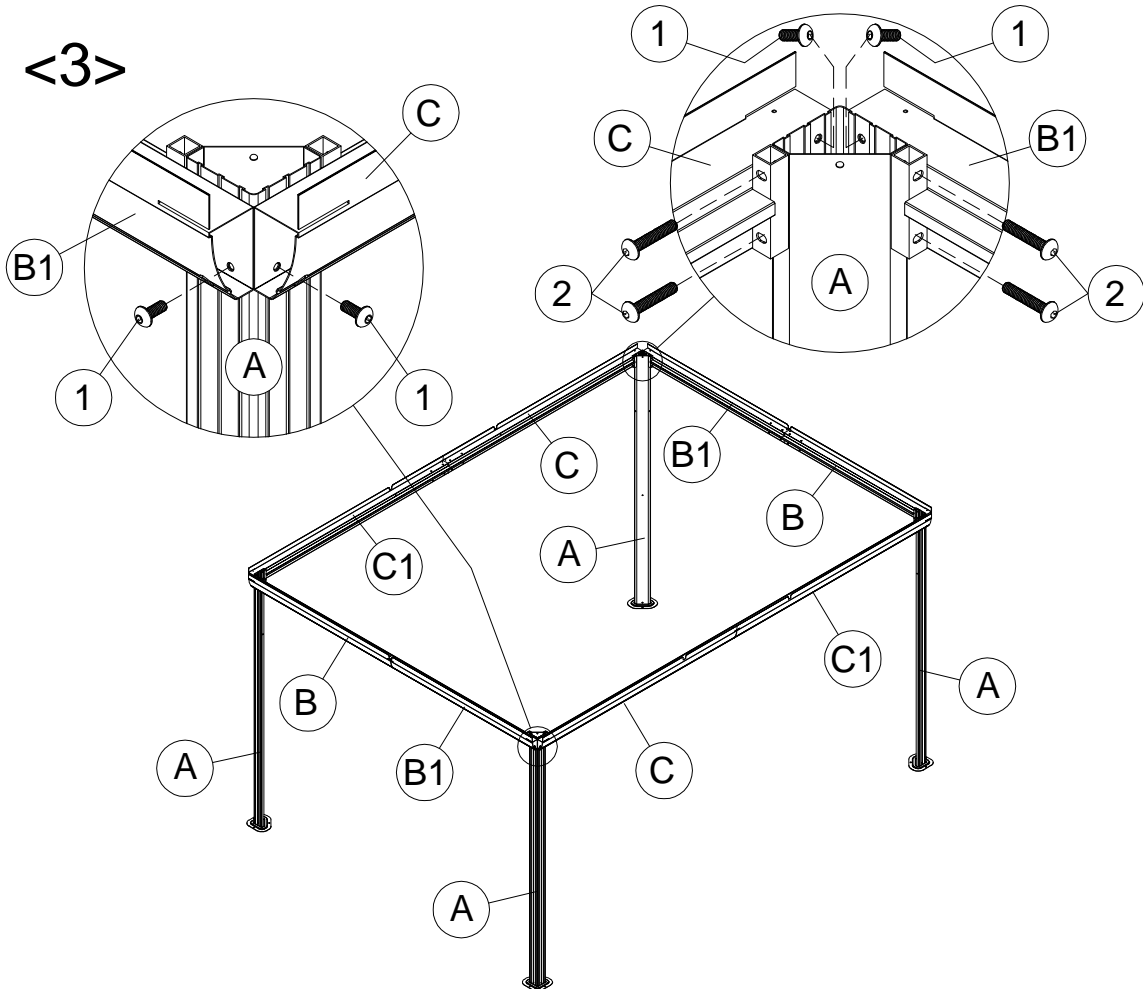


1 16x M6x15



2 16x M6x35

<3>

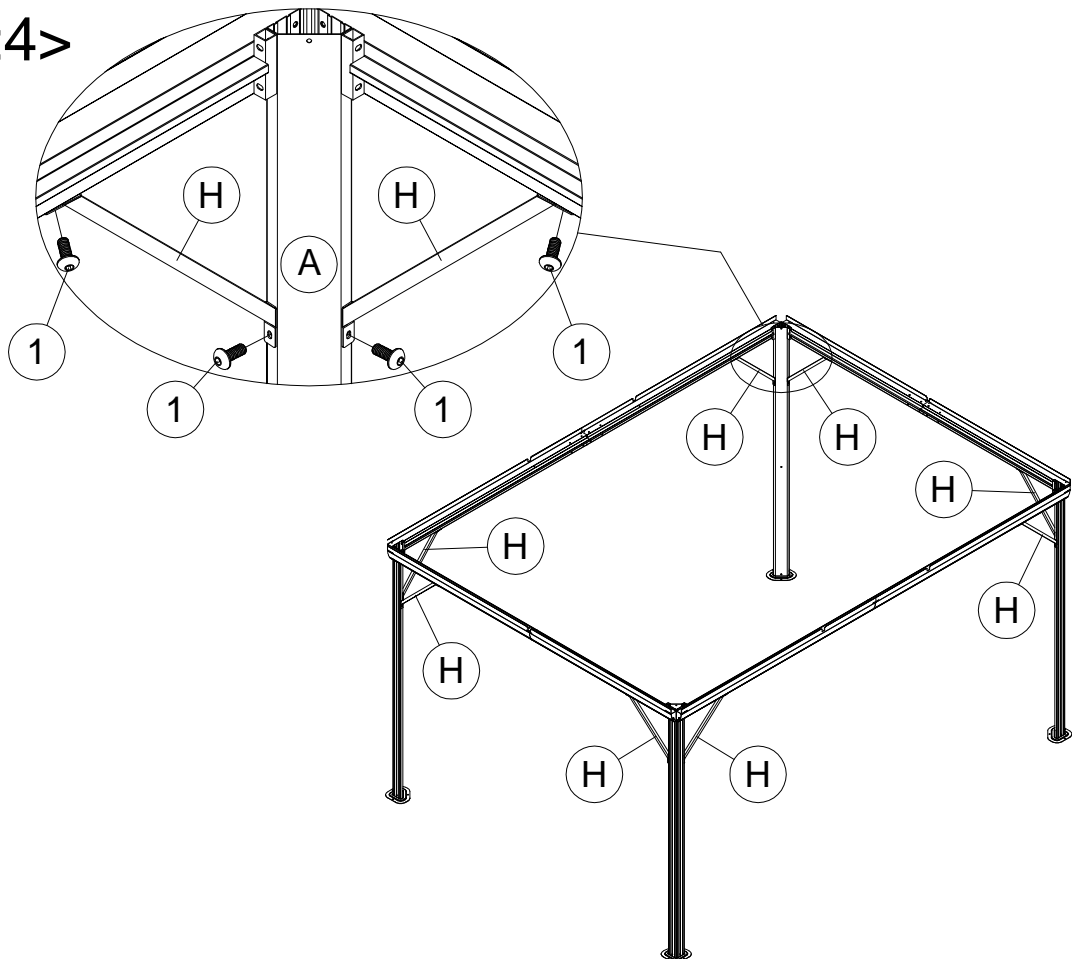


H 8x

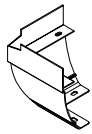


1 16x M6x15

<4>



6



(K) 4x



(K1) 4x



(U) 112x



(V) 4x

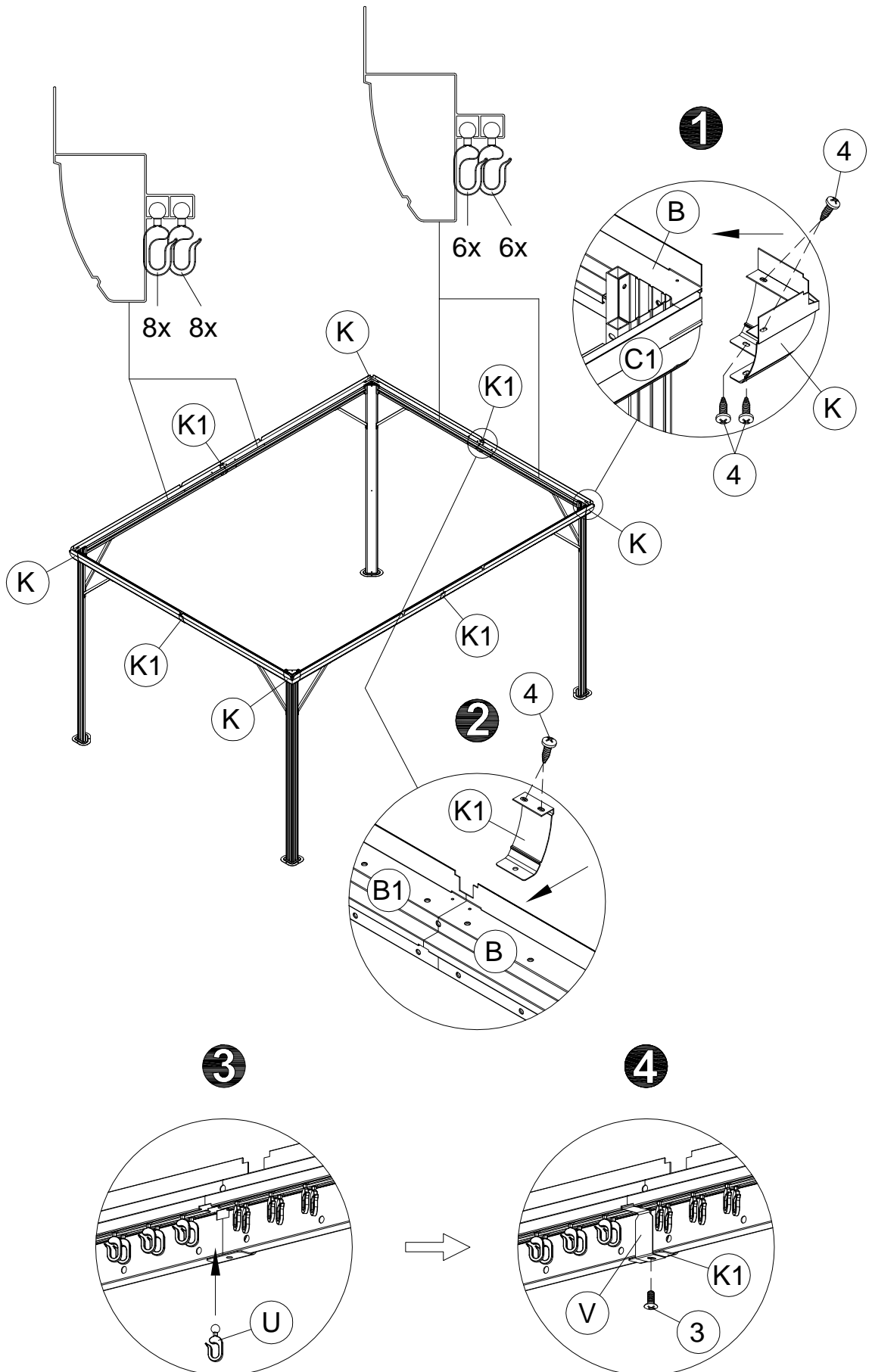


(3) 4x M5x12



(4) 24x ST4.8x12

<5>

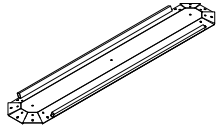


7



<6>

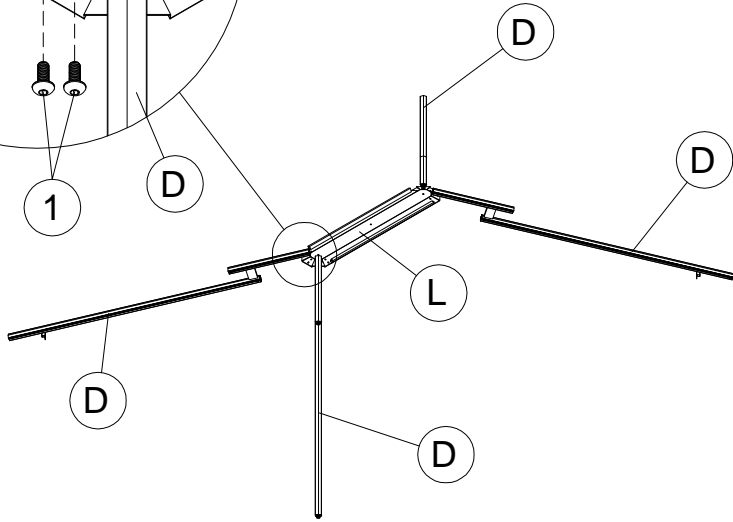
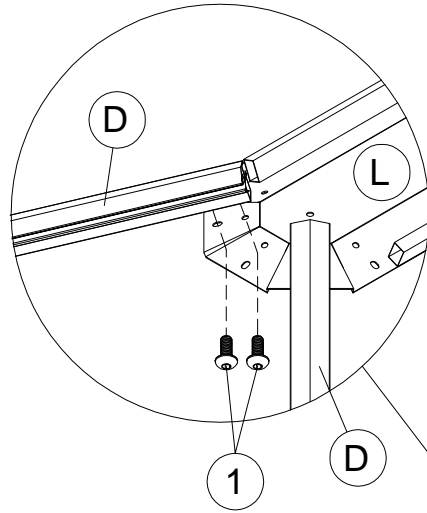
D 4x



L 1x

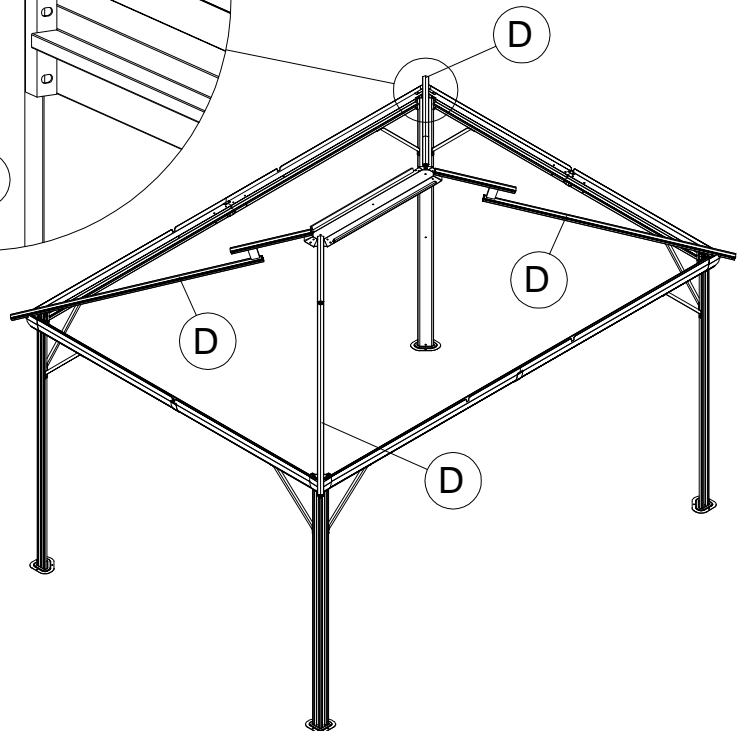
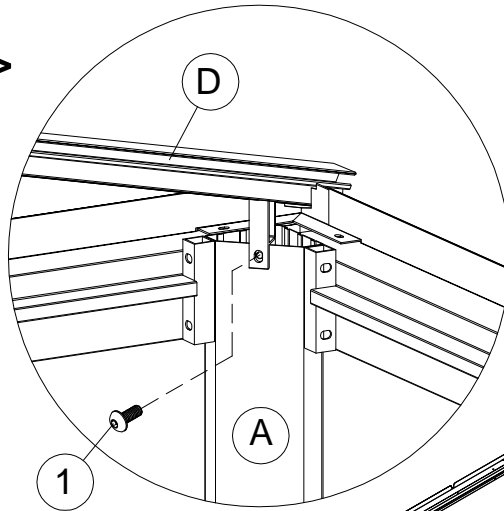


1 8x M6x15

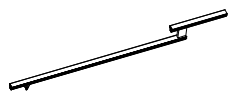


1 4x M6x15

<7>



8

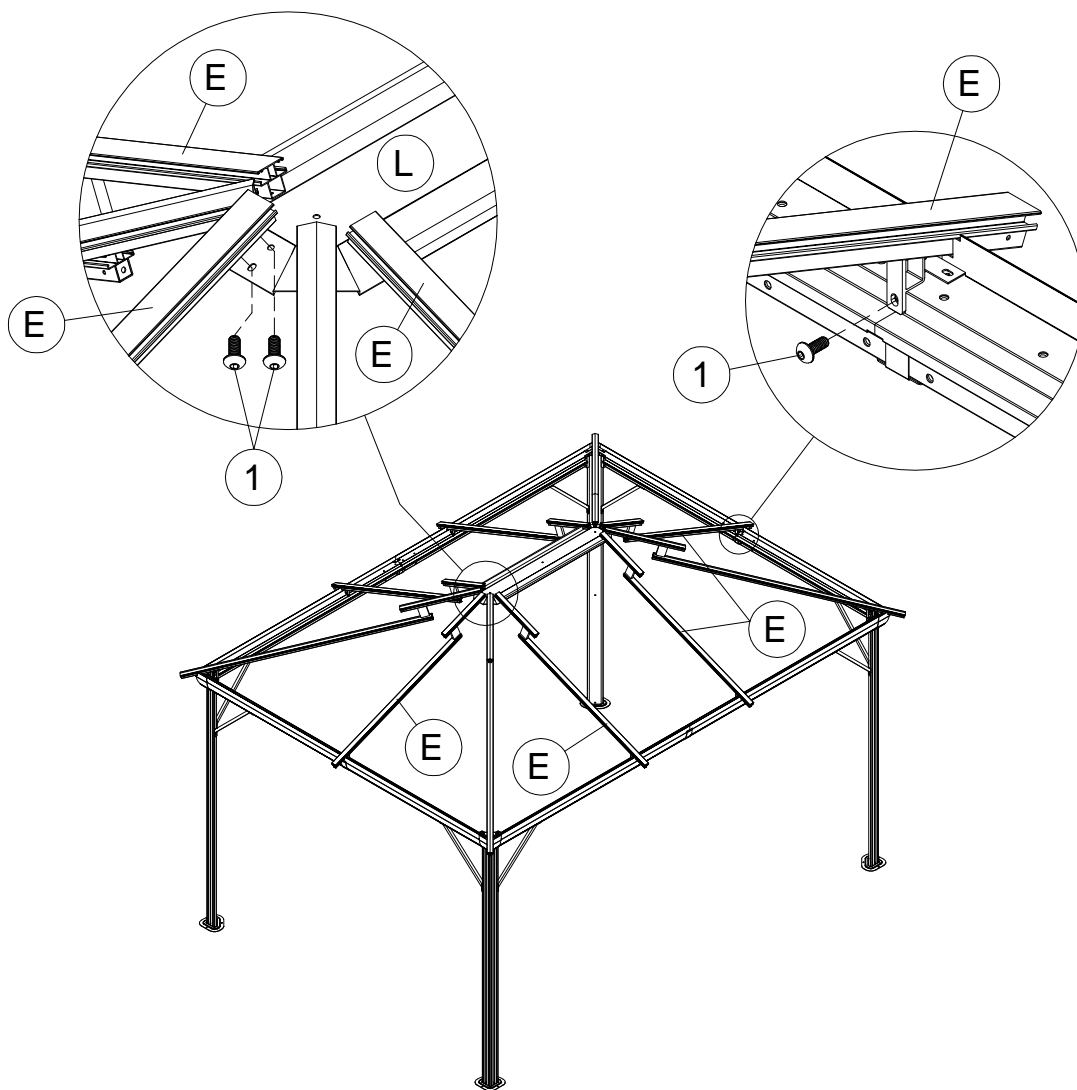


<8>

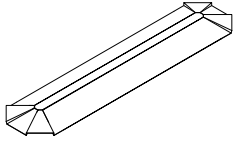
E 6x



M6x15
1 18x



9



(M) 1x

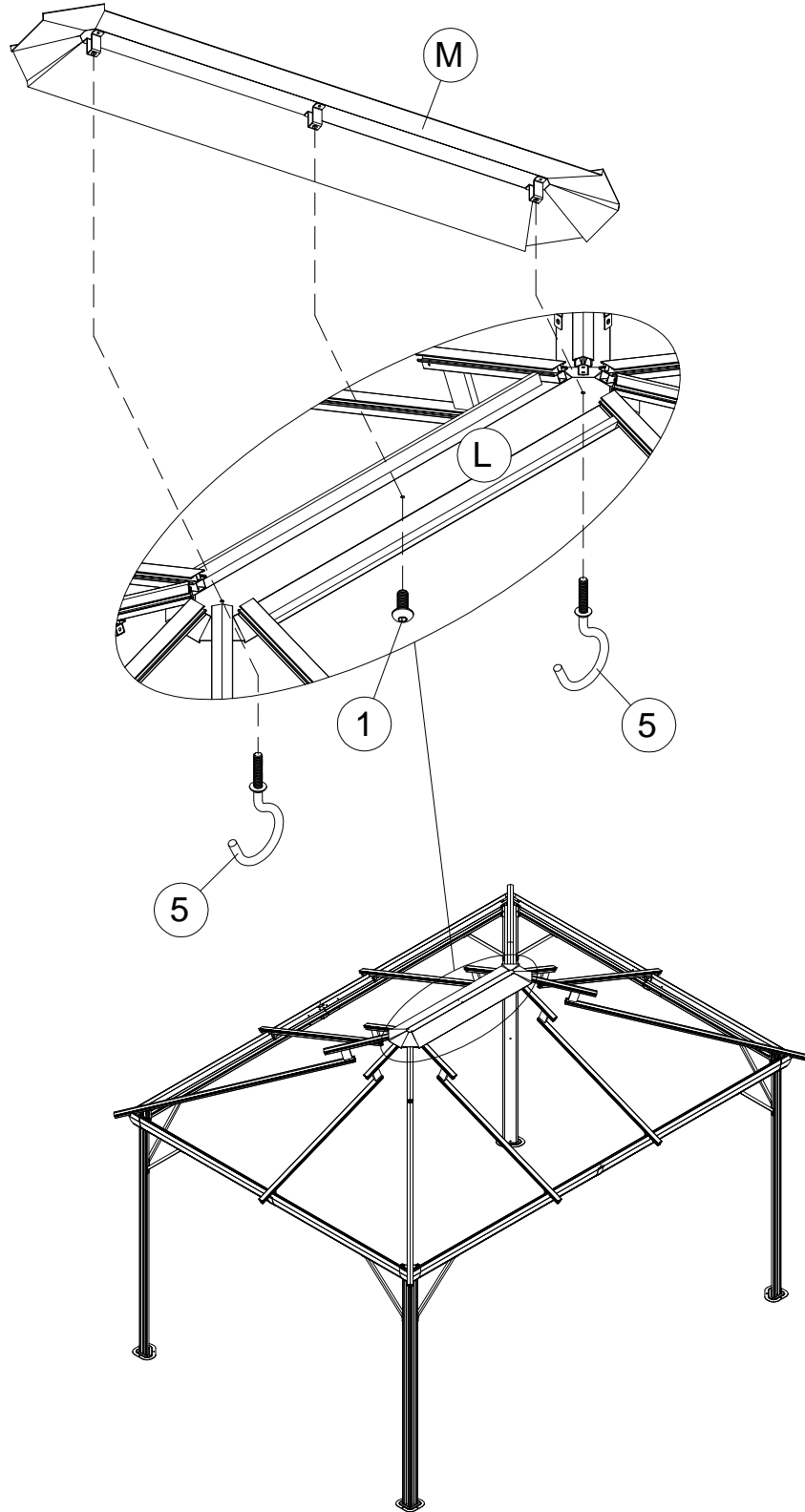


(1) 1x M6x15

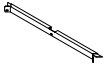


(5) 2x

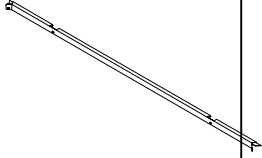
<9>



<10>



G5 2x



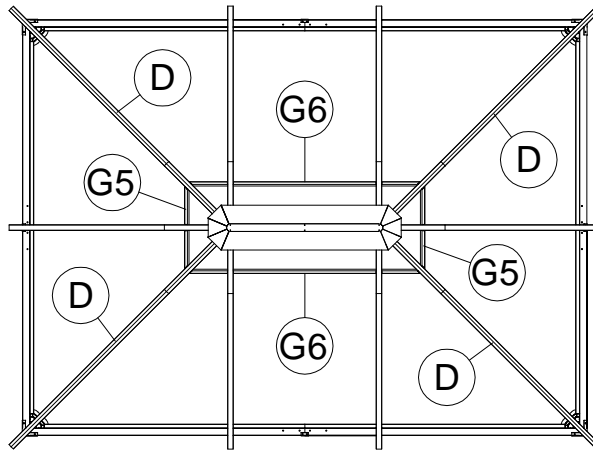
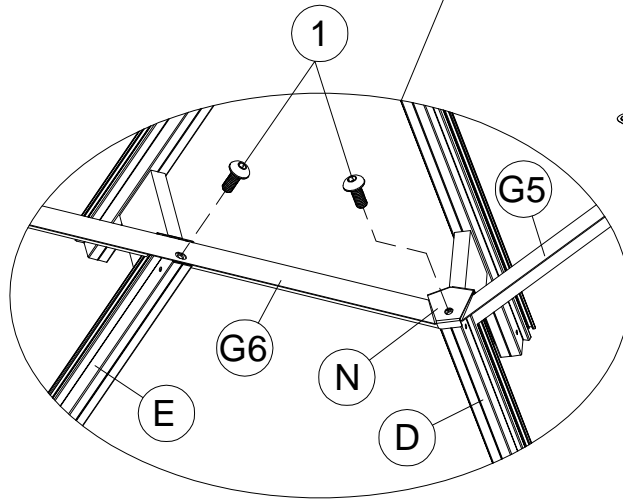
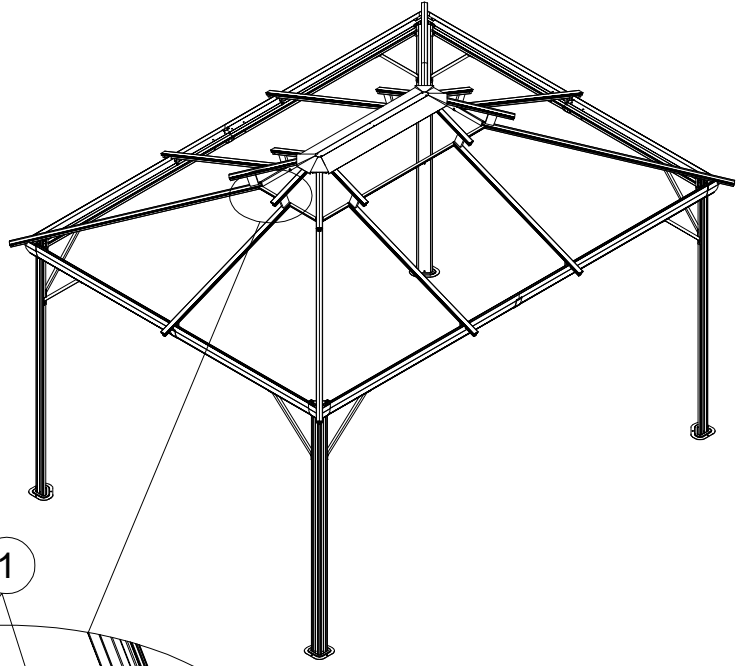
G6 2x



N 4x



1 10x M6x15



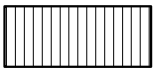


<11>

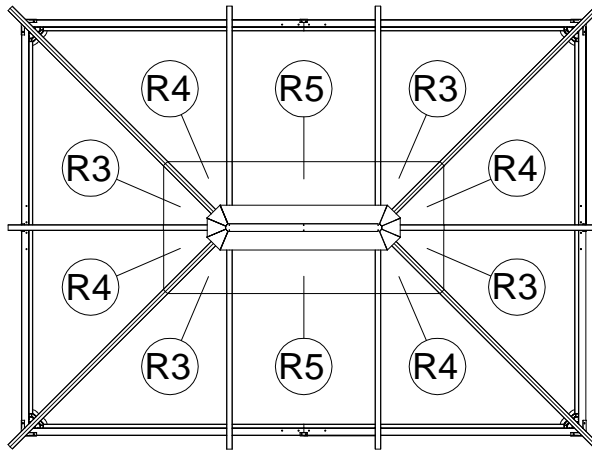
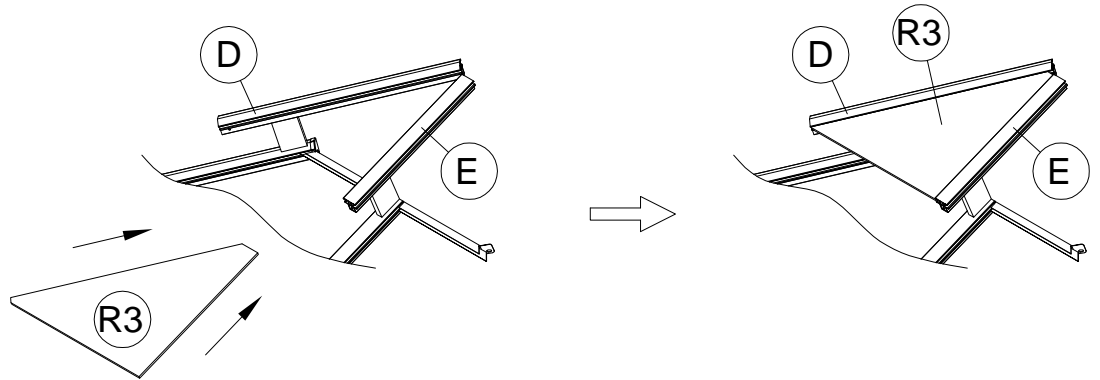
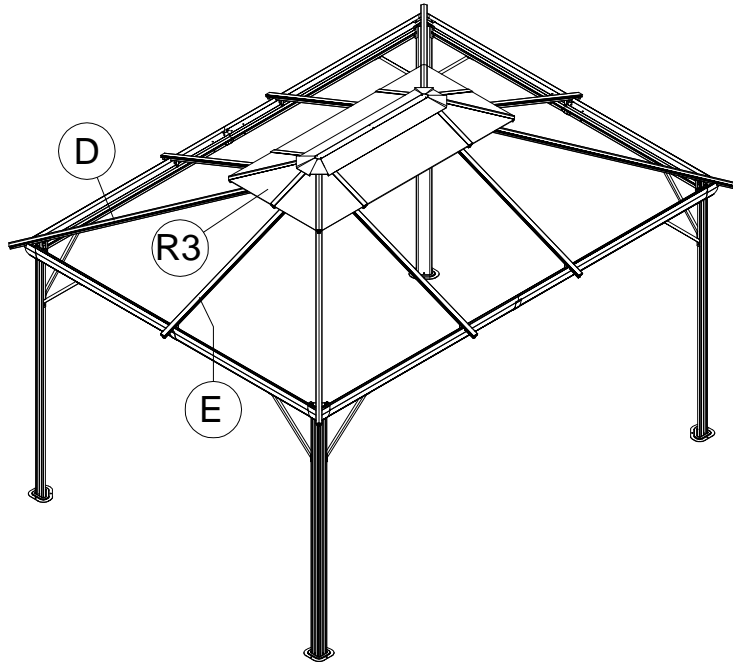
R3 4x



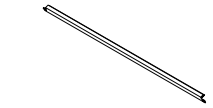
R4 4x



R5 2x



<12>



G 2x



G3 4x



G4 4x



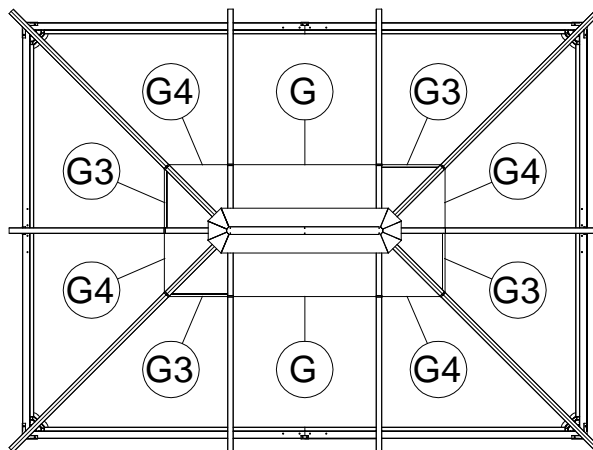
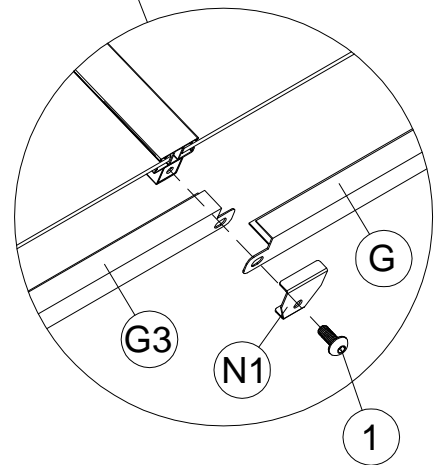
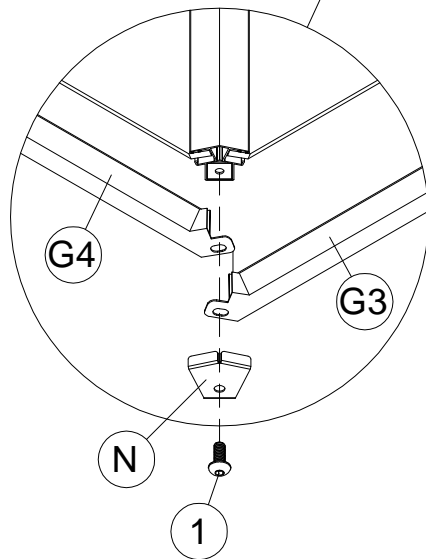
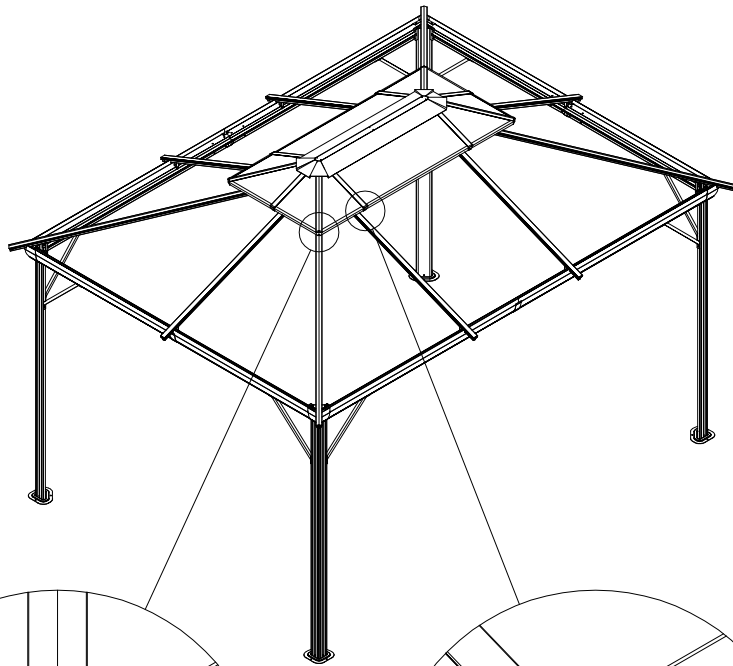
N 4x



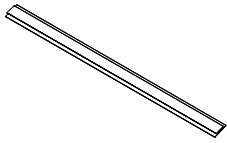
N1 6x



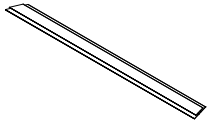
1 10x M6x15



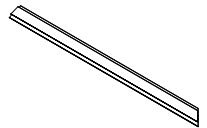
<13>



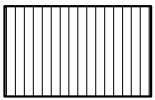
F 2x



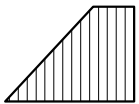
F1 4x



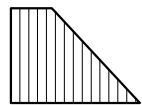
F2 4x



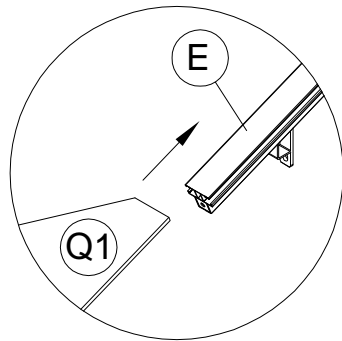
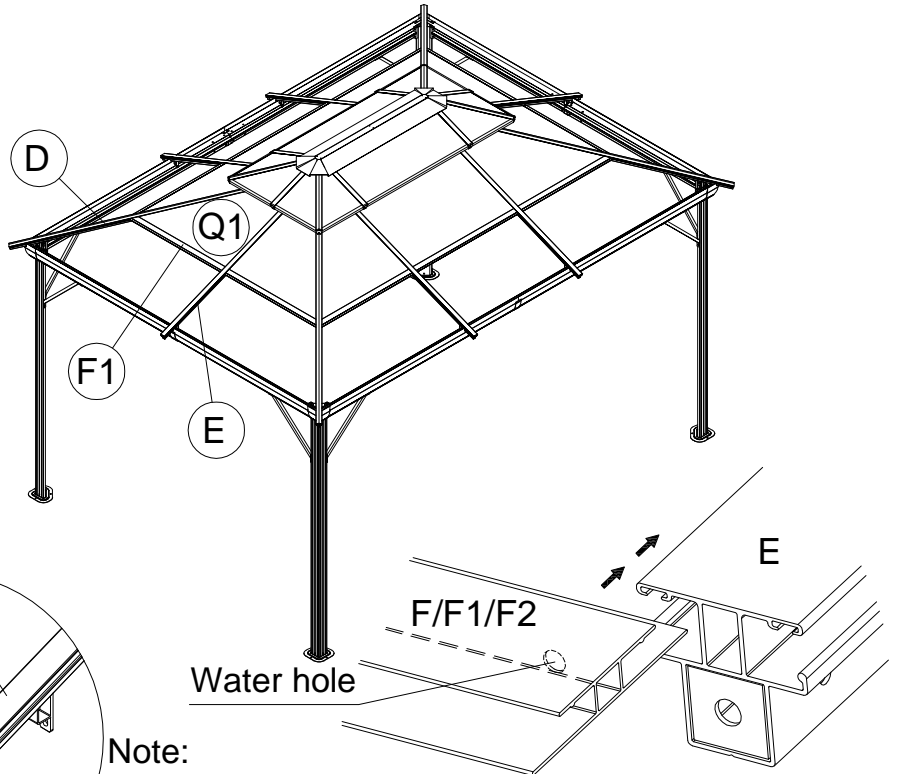
Q 2x



Q1 4x



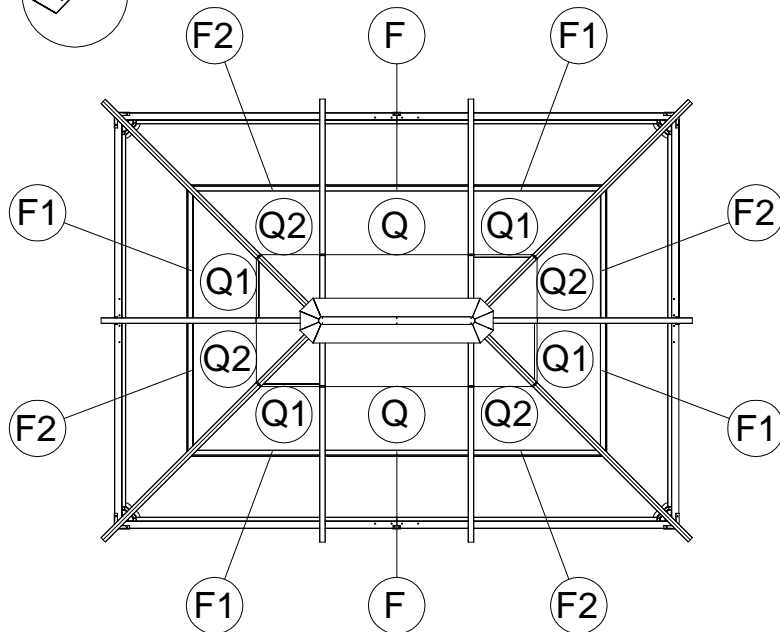
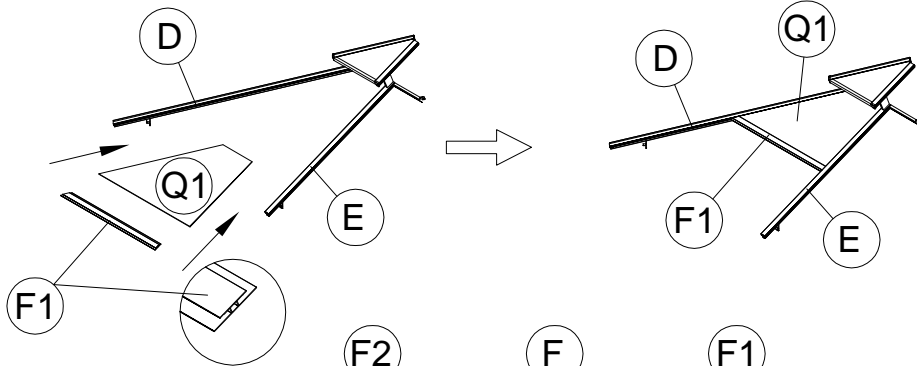
Q2 4x



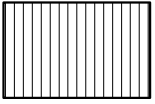
Note:

1. When F1 or F2 or F slide into the E, the wide side must be face down and narrow side face up, otherwise will cause water leaking

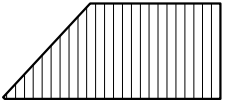
2. F or F1 or F2 the water holes inside of the tube must be face up. otherwise will cause water leaking



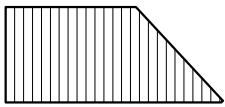
<14>



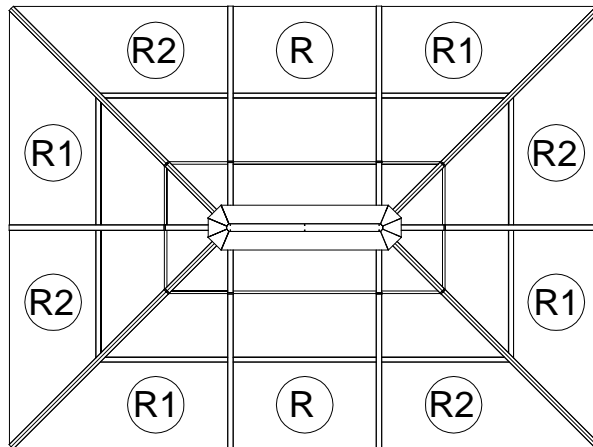
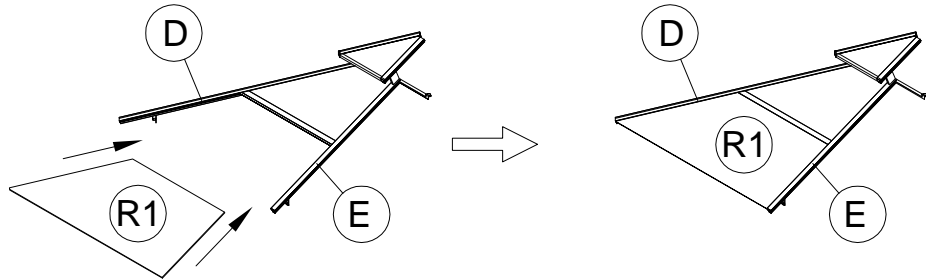
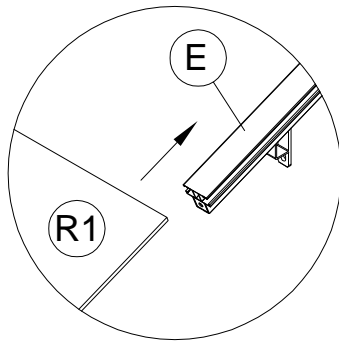
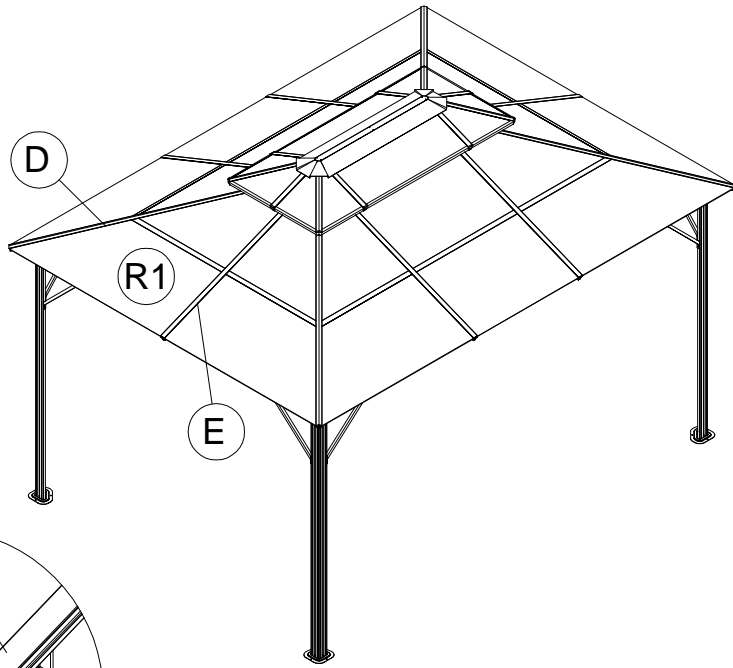
R 2x



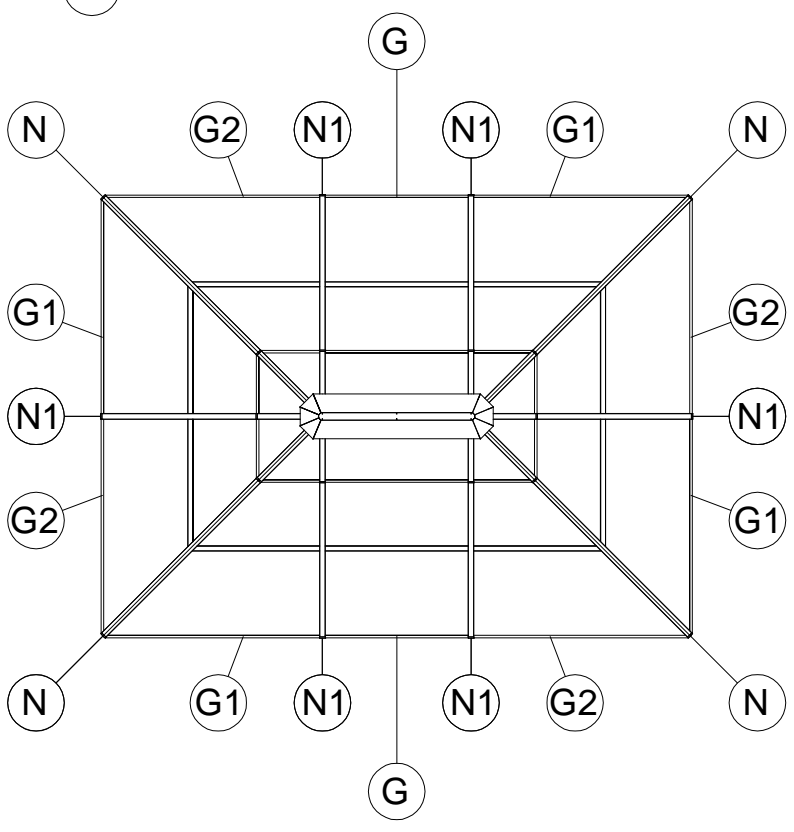
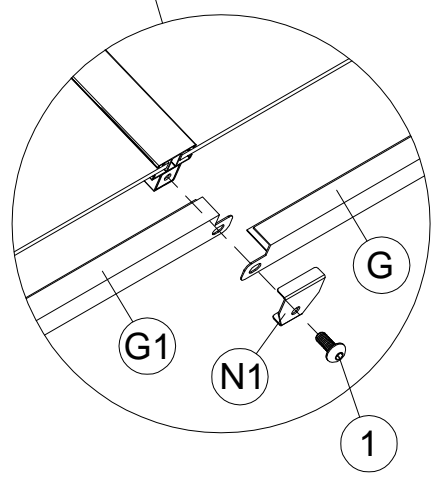
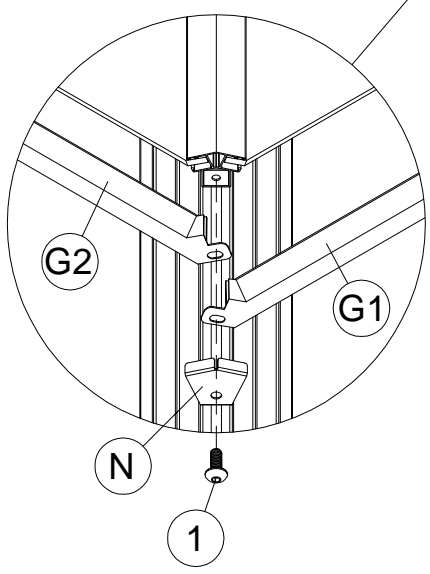
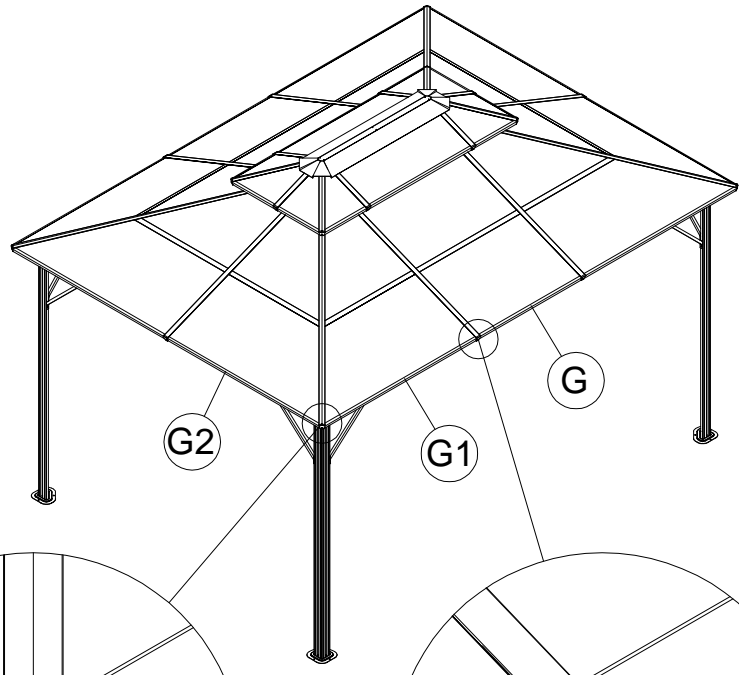
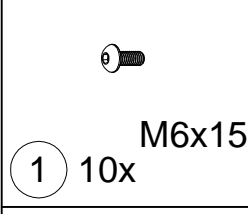
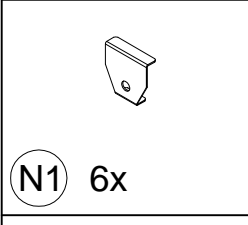
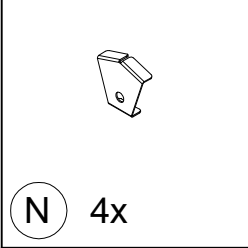
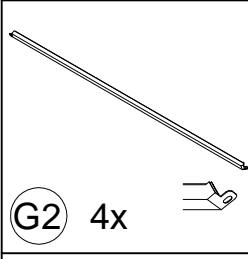
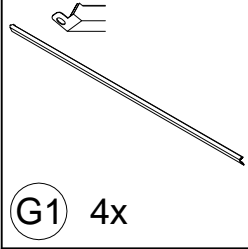
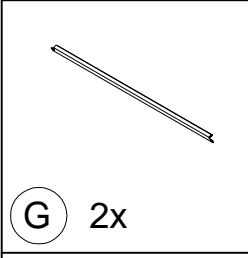
R1 4x

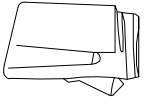


R2 4x



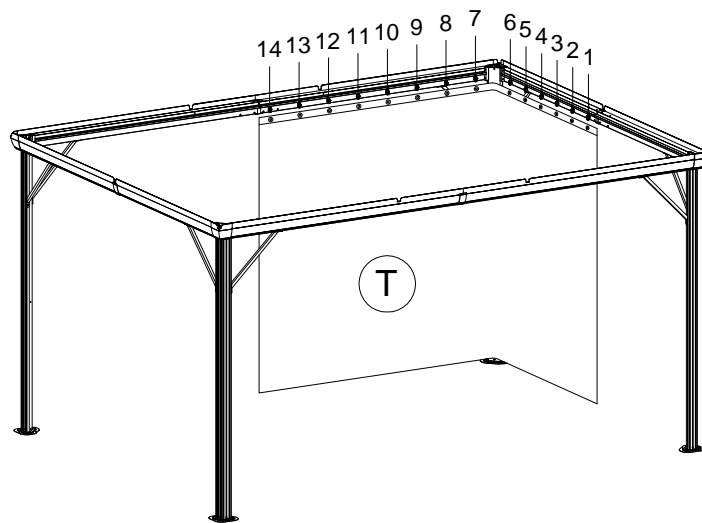
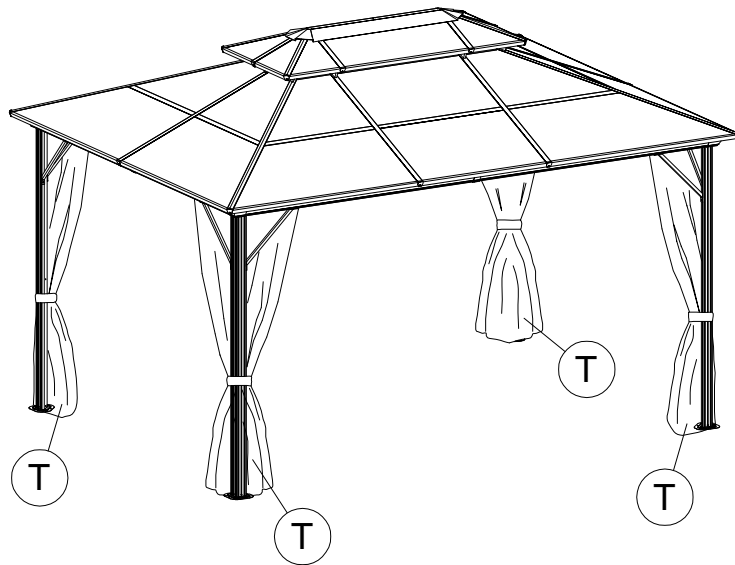
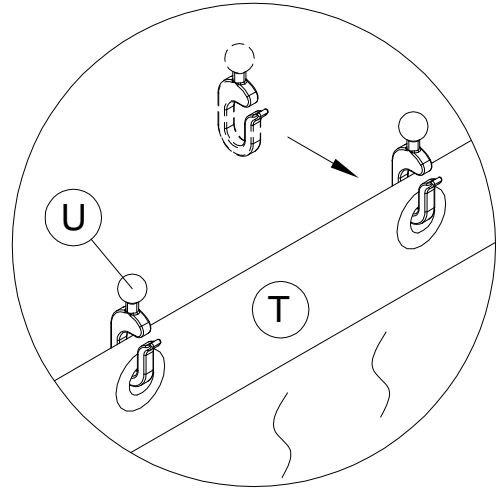
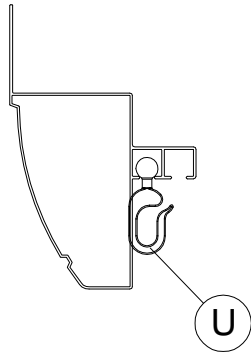
<15>

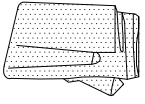




<16>

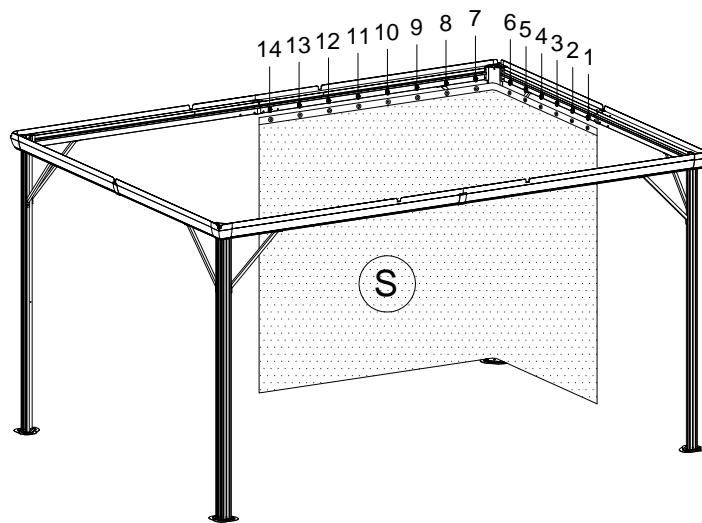
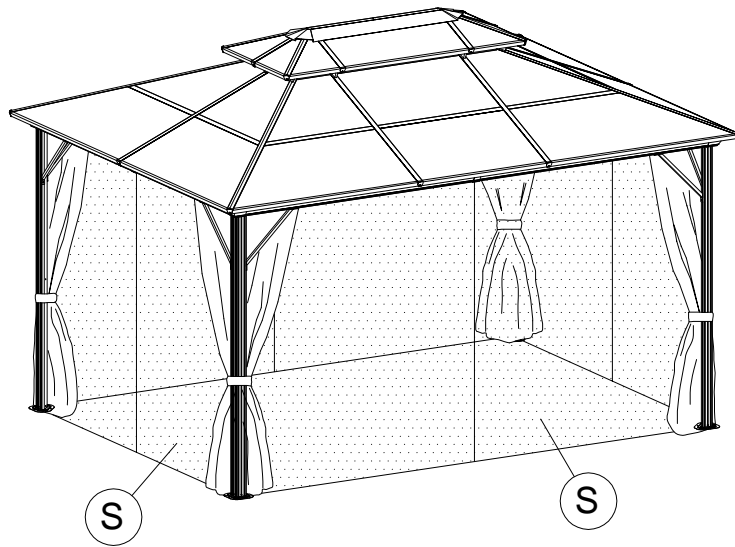
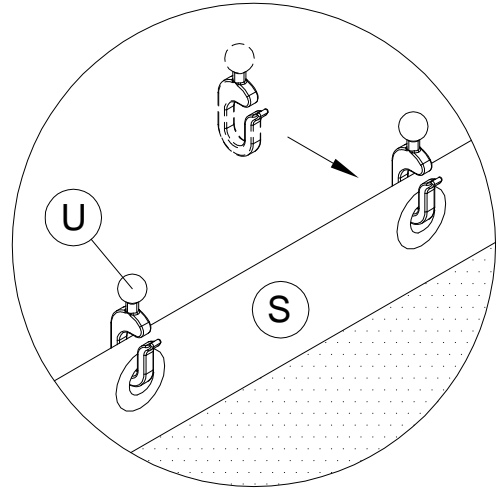
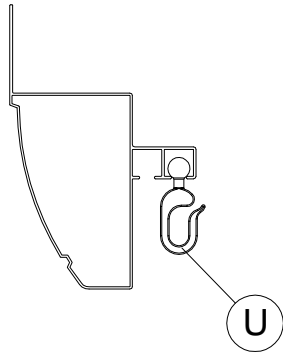
T 4x





<17>

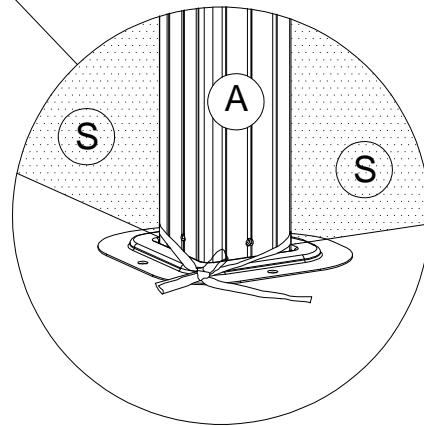
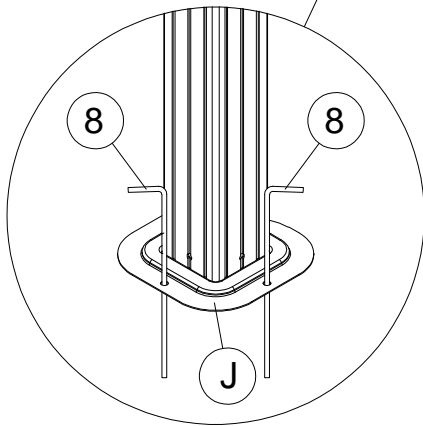
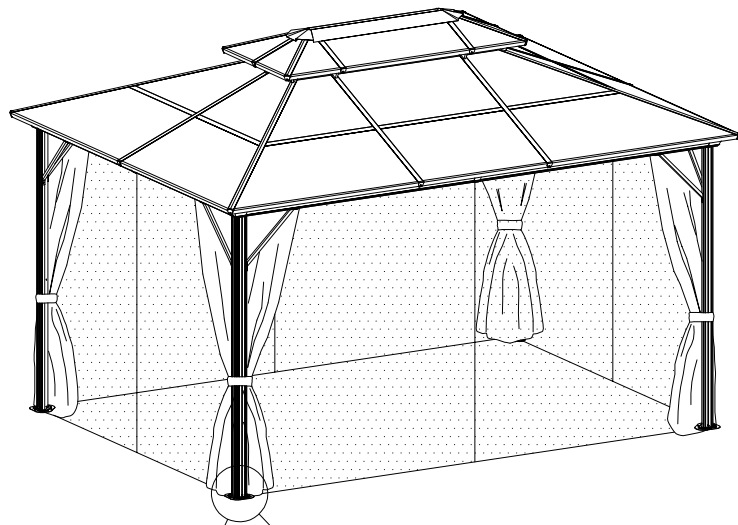
S 4x





<18>

8 12x



Contact information

Austria



Belgium



Croatia



Denmark



Estonia



Finland



France



Germany



Ireland



Italy



Latvia



Lithuania



Nederland



Norway



Poland



Portugal



Spain



Sweden



Switzerland



UK

