

DANCOVER[®]

.com

Manual
for
Garage Tent
3,77m Series

DANCOVER[®]

.com

Safety Advice

Attention

In some countries approval is needed to set up a tent larger than 75 m². It is your responsibility to comply with local rules and regulations and to ensure that the tent is assembled correctly.

In case of bad weather conditions, it is your responsibility to ensure the tent is safely secured and that the tent does not cause damage to others.

Do not use open fire, welding equipment or other sources which can ignite, inside or close to the tent.

The tent must be safely secured. We recommend you secure your tent with straps and pegs as soon as it is assembled.

Make sure to check if the tent is covered by your home contents insurance.

Tents must be evacuated under extreme weather conditions.

In the event of snow, always remove snow from the roof of the tent regularly to prevent snow from building on the roof, as heavy snow can cause the tent to collapse.

In the event of rain, there is a risk of rain puddles building up on top of the roof of the tent. Heavy rain puddles can cause the roof to collapse. It is your responsibility to ensure rain puddles do not build up. As a precaution, make sure the roof of the tent is stretched out properly and adequately over the side frames of the tent and remove rain water regularly.

Do not unpack or repack your tent in freezing temperatures. In case of temperatures below zero, always unpack and repack your tent indoors to avoid the risk of cracking parts.

The tent must be totally dry before you repack and store it to avoid mildew.

Note: Dancover warranty applies only to the normal use of the Product, normal wear and tear excepted, in accordance with written use instructions or manual. The warranty does not apply to damage caused by accident, abuse, misuse, or modification of the Product.

Warranty Information

Please visit dancovershop.com for information on warranty.

Please always check our website for the latest safety advice and manual.

Assemble manual

DEAR CUSTOMER

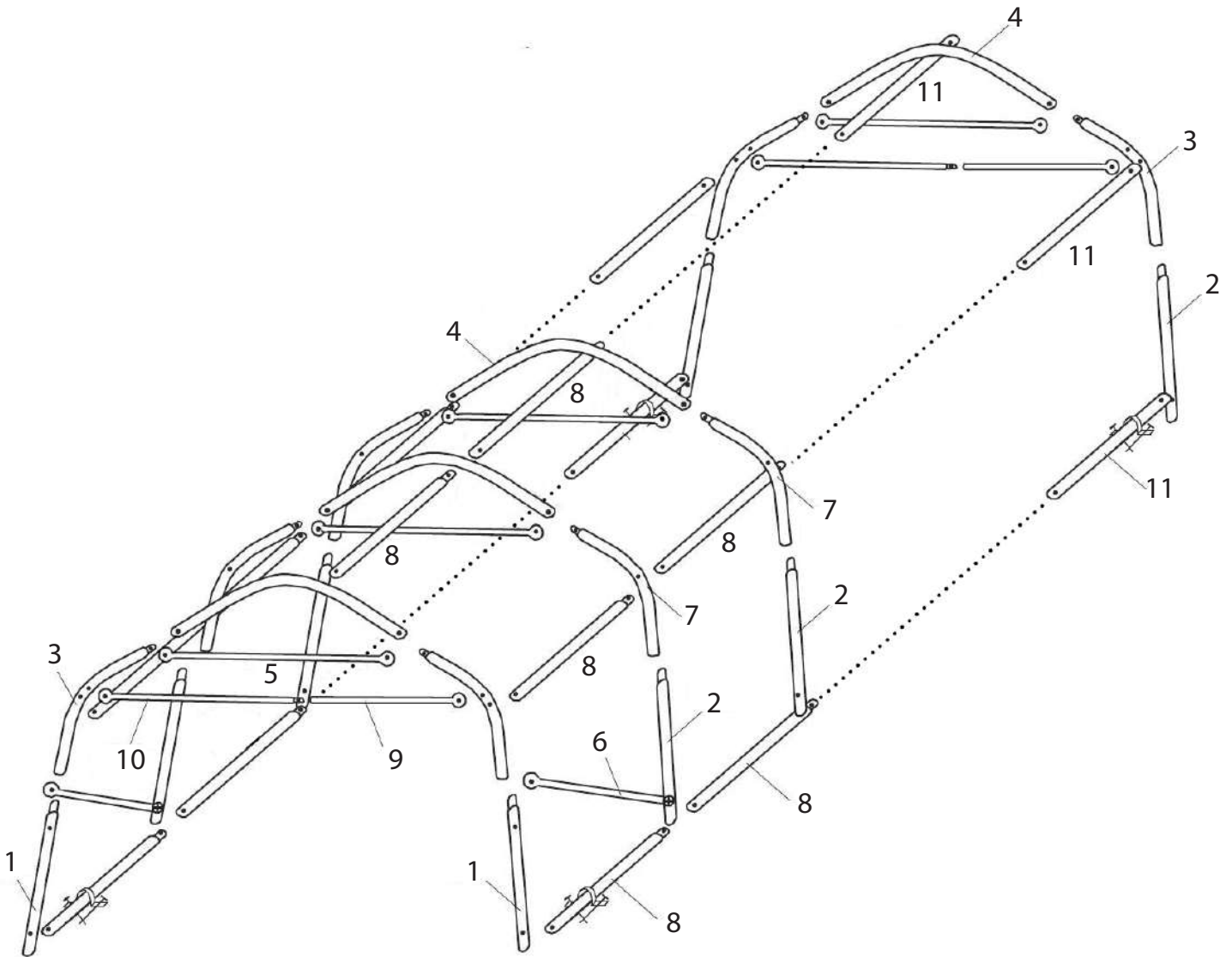
Assembly with more than one person suggested.

Please use gloves when assembling the metal frame portion of this unit.

The metal components of this product have been treated with a rust preventive coating that may feel oily to the touch. This coating is not dangerous, but may dirty your hands during assembly. We recommend that you wipe metal parts clean with a mixture of warm water and dish detergent prior to assembly. Should your hands become dirty, simply wash with soap and water.

Frame view

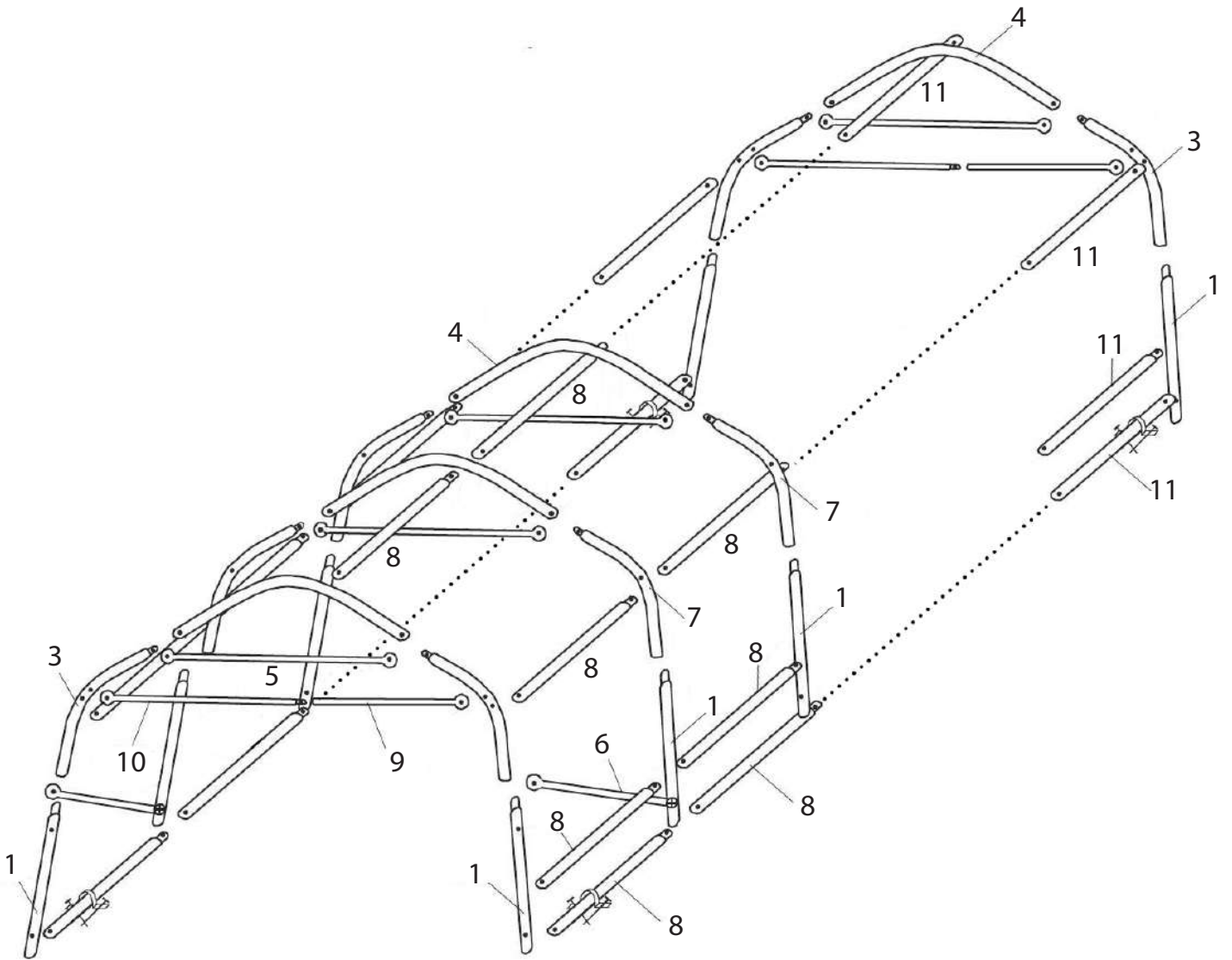
3,77m series



Drawing of a 3,77x7,3x3,24m garage tent

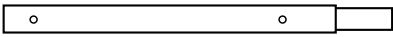
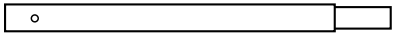

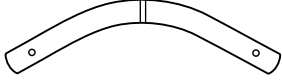
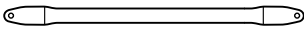
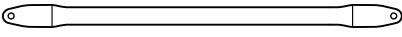

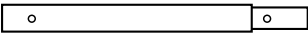
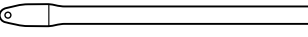
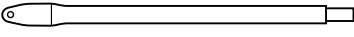
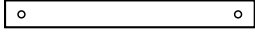
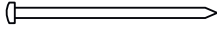




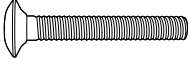
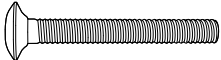

Frame view


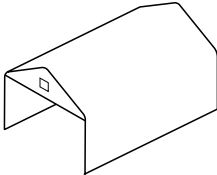
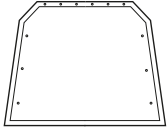
3,77m series



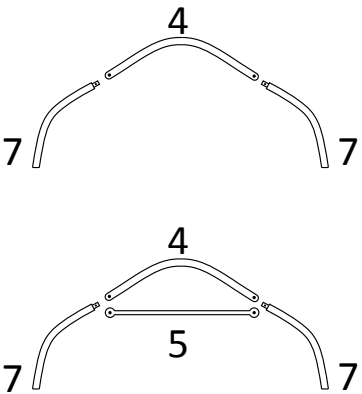
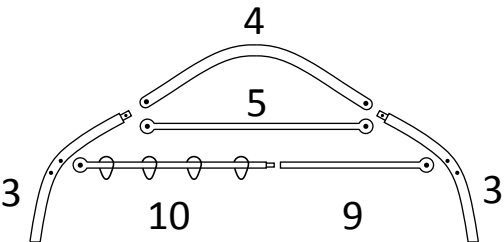
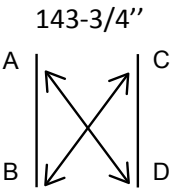
Drawing of a 3,77x9,7x3,24m garage tent

3,77m Part List

PART NO.	DESCRIPTION		QTY	
			7,3	9,7
No.1	Back leg		2	18
No.2	Regular leg		12	-
No.3	End corner arch		4	4
No.4	Center arch		7	9
No.5	Cross bar		7	9
No.6	Diagonal		2	2
No.7	Main corner arch		10	14
No.8	Connecting pipe		25	49
No.9	Door rail female		2	2
No.10	Door rail male		2	2
No.11	Connecting pipe		5	7
No.13	Nail		8	8
No.14	Floor bracket		4	4
No.15	Elastic kit for door		16	16
No.16	Door rail hook		12	12
No.17	S hook		16	16
No.18	1-3/4" Bolt		20	24
No.19	2-1/2" Bolt		3	3
No.20	Wing nut		57	89

No.21	3" Bolt		37	65
No.22	Roof		1	1
No.23	Endwall		2	2

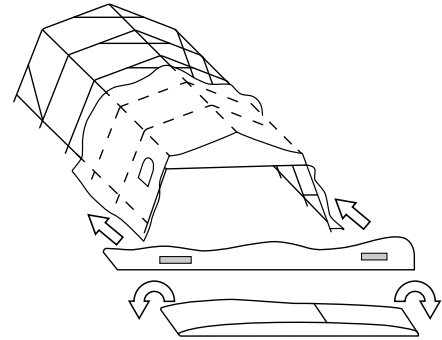
04-07-2019

<p>1. Assembly of middle arches</p> <p>a) Take one arch (no. 4); assemble with one main corner arch (No.7) on the left side.</p> <p>b) Take the other corner arch (no.7) on the right side.</p> <p>c) Take one completed arch; put screw 1-3/4" (No.18) through holes on the right side and attach bar (no.5) over screw and tighten wing nut(No.20)</p> <p>d) Repeat same procedures on the left side.</p>	
<p>2. Repeat step 1 for the remaining middle arches.</p>	
<p>3. Assembly of end arches (Wing nuts are always on inside of the shelter)</p> <p>a) Take one arch (No.4); assemble with one end corner arch (No.3) on the left side.</p> <p>b) Take one complete arch ,put 1 3/4" screw through holes on the right side and attach bar (no.5) over screw and tighten wing nut</p> <p>c)Slide the hooks (No.16) over bars(No.10) then put other side(No.9) attach one end to arch (No.3)with 1 3/4" screws and wing nut.</p> <p>d) Take the other corner arch (No.3) on the right side.</p> <p>d) Repeat step 3 with the remaining arch.</p> <p>g) Place one of the last arches assembled at the front of the shelter, the other at the back.</p>	
<p>4. Assembly of legs</p> <p>a) Insert (No.1) legs into an end arch one side at a time.</p> <p>b) Insert (No.1 or No.2) legs to the second arch depending on the length of the garage tent (cf. the frame drawings).</p>	

- c) Add second arch to assembly connecting (No.8) into (No.11) with screw 3" (No.21) and diagonal bar (No.6) with screws 2 1/2" (No.21) with wing nuts (No.20). See sketch at front page. Note: (No.11) should be placed at last section.
- d) Repeat step b) and c) until the whole shelter is completed.
- e) Make sure the base is open to 143 3/4".
- f) Make sure the distances AD and BC have exactly the same length as per illustration, lengths depends on the model.

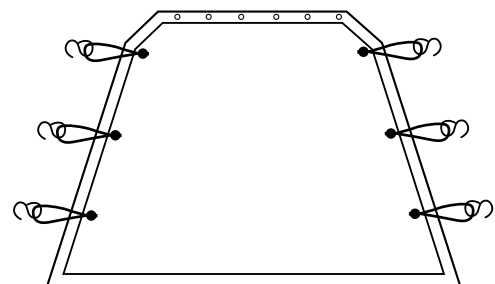
5. Cover installation (Ties are always on the inside)

- a) Place the roof in front of the shelter as illustrated.
- b) Unfold as illustrated then lift onto shelter as is.
- c) Place cover over the completed structure making sure that the TRIANGLE is at the front of the garage.
- d) Attach all straps inside of the roof to the structure poles going completely around the garage.
- e) Tie firmly inside ties to bars.
- f) Grommets are placed in the upper corner of each door .Put the cord through these grommets and secure to the ground with nails.



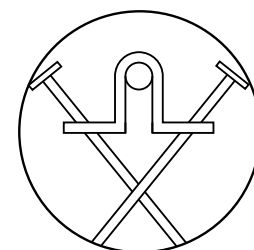
6. Door Assembly

- a) Take one door with shiny side facing outside placing on to hooks (No.17).
- b) Repeat a) for the remaining doors.
- c) Take the elastic, put it through one of the grommet holes on the door from the inside out. Take S hook, place it on the elastic and squeeze one end with a pair of pliers so it locks on the elastic. Repeat until all the elastics are done, and then use the open end to hook on the grommet band of the roof.



7. Anchoring garage.

- a) Place your garage in the final position you want then close the doors, front and back if supplied before anchoring, anchor with brackets (No.14) and nail (No.13) as per diagram on the first page. Drive anchor into ground.
- b) Fix flap to your house (if applicable).



DANCOVER[®]

.com

Contact information

Head office:

Dancover A/S
Nordre Strandvej 119 G
3150 Hellebæk
Denmark

For more information
please visit:
www.dancovershop.com

National contact

Denmark: 70 26 76 20
denmark@dancover.com

UK: 020 8099 7570
uk@dancover.com

Germany: 041 0266 7040
germany@dancover.com

France: 0975 181 800
france@dancover.com

Sweden: 040 233 262
sverige@dancover.com

Finland: 0 931 581 720
suomi@dancover.com

Poland: 22 300 8602
polska@dancover.com

Luxembourg: +49 041 0266 7040
luxembourg@dancover.com

Portugal: 308 800 899
portugal@dancover.com

Spain: 911 436 828
espana@dancover.com

Italy: 02 479 21 198
italia@dancover.com

Switzerland: 0840 000125
schweiz@dancover.com

Austria: 0662 626935
austria@dancover.com

Norway: 231 00 690
norge@dancover.com

Nederland: 0 858 880 524
nederland@dancover.com

Ireland: 0 151 33 003
ireland@dancover.com

Belgium: 0 28 08 08 09
belgique@dancover.com