

CosyLifeStyle[®]

Manual

for

Greenhouse

1,9x2,52x2,01m

DANCOVER[®]

.com

Safety Advice

Attention

In some countries or areas, you may have to obtain permission when setting up structures like greenhouses or similar buildings exceeding a certain size. It is your responsibility to comply with local rules and regulations and to ensure that the greenhouse is assembled correctly.

In case of bad weather conditions, it is your responsibility to ensure the greenhouse is safely secured and that the structure does not cause damage to others. Be sure to close doors and windows in the greenhouse, remove any loose objects in the garden, which may hit the greenhouse if the wind takes hold of it. Secure the garden trampoline and ask your neighbours to do the same. Please check the garden in general for loose or broken branches and other objects that may cause a danger in case of windy weather. Do not use open fire, welding equipment or other sources of ignition, inside or close to the greenhouse.

When you buy a greenhouse and set it up in your garden, we recommend that you check whether your home insurance covers the structure. At the same time, you are not supposed to be inside the greenhouse during extreme weather conditions.

This structure has not been tested for specific snow and wind loads! Make sure you follow our general safety advice and in the event of snow, always remove excessive amounts of snow from the greenhouse to prevent too much snow on the roof of the greenhouse. Heavy snow may cause the roof or entire structure to collapse.

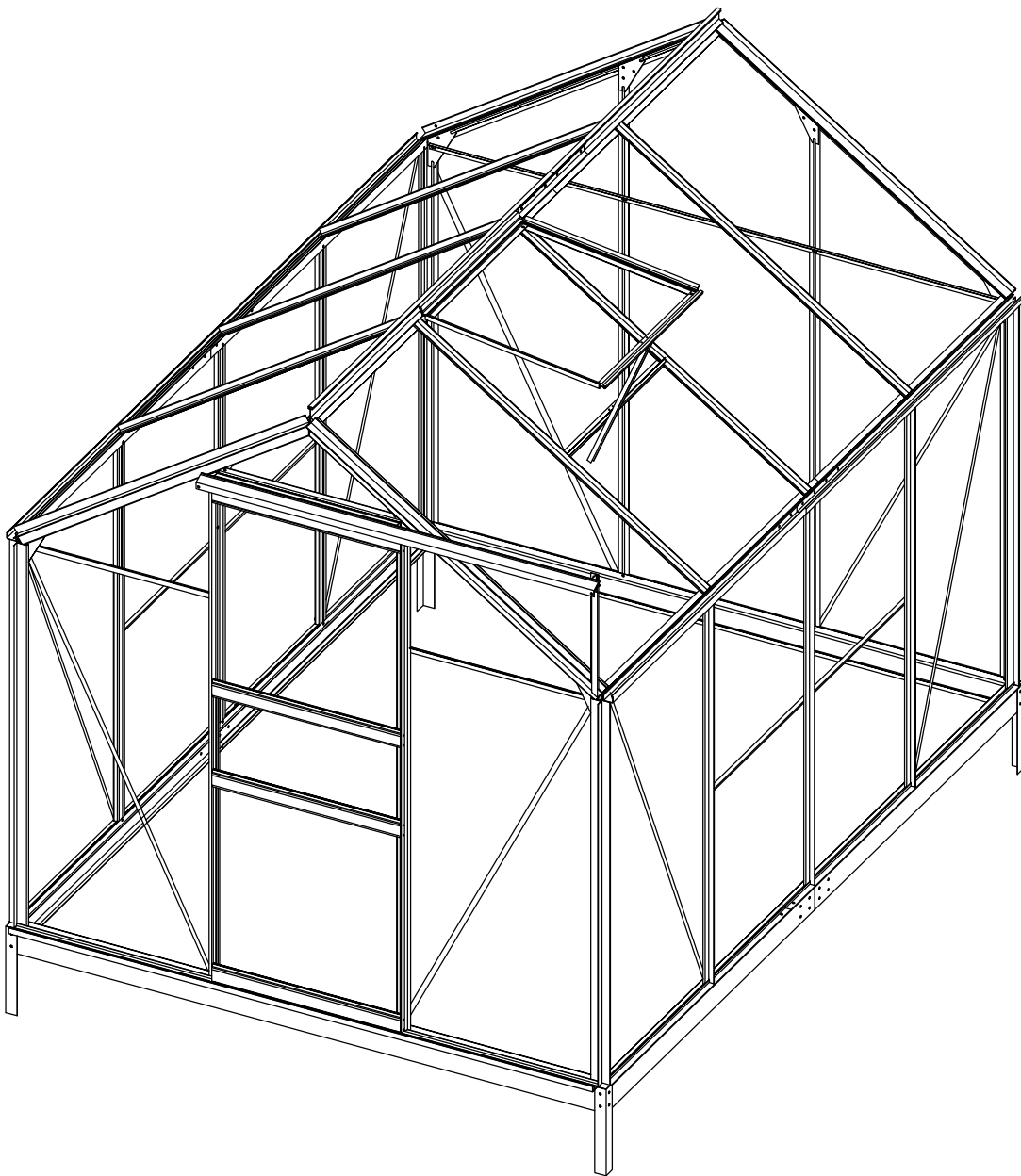
Note: Dancover warranty applies only to the normal use of the greenhouse, normal wear and tear excepted, in accordance with written use instructions or manual. The warranty does not apply to damage caused by accident, abuse, misuse or modification of the greenhouse.

Warranty Information

Please visit dancovershop.com for information on warranty.

Please always check our website for the latest safety advice and manual.

Greenhouse Assembly Instruction



TO PREVENT INJURY, READ AND UNDERSTAND THE GREENHOUSE ASSEMBLY INSTRUCTIONS BEFORE USE.

Notes:

1. It takes about 2-3 hours to assemble the greenhouse by 2-3 persons.
2. The UV-protected side of the sheet is covered with opal white film and must face towards the sun.
3. Remove approximately 2 inches of film from all sheet edges before installing. Removing all film immediately after the construction is completed
4. Make sure the greenhouse is located on a flat, level surface.

GENERAL SAFETY, WARNINGS AND PRECAUTIONS

KEEP WORK AREA CLEAN AND DRY.

Cluttered, damp or wet work areas invite injuries.

STAY ALERT. Watch what you are doing at all times. Use common sense. Do not use the greenhouse when you are tired or distracted from the job at hand. It is recommended to use gloves for assembling the greenhouse.

MAINTAIN THIS PRODUCT WITH CARE.

Keep the greenhouse clean and dry for better performance: maintenance should be performed regularly.

USE THE RIGHT PRODUCT FOR THE JOB.

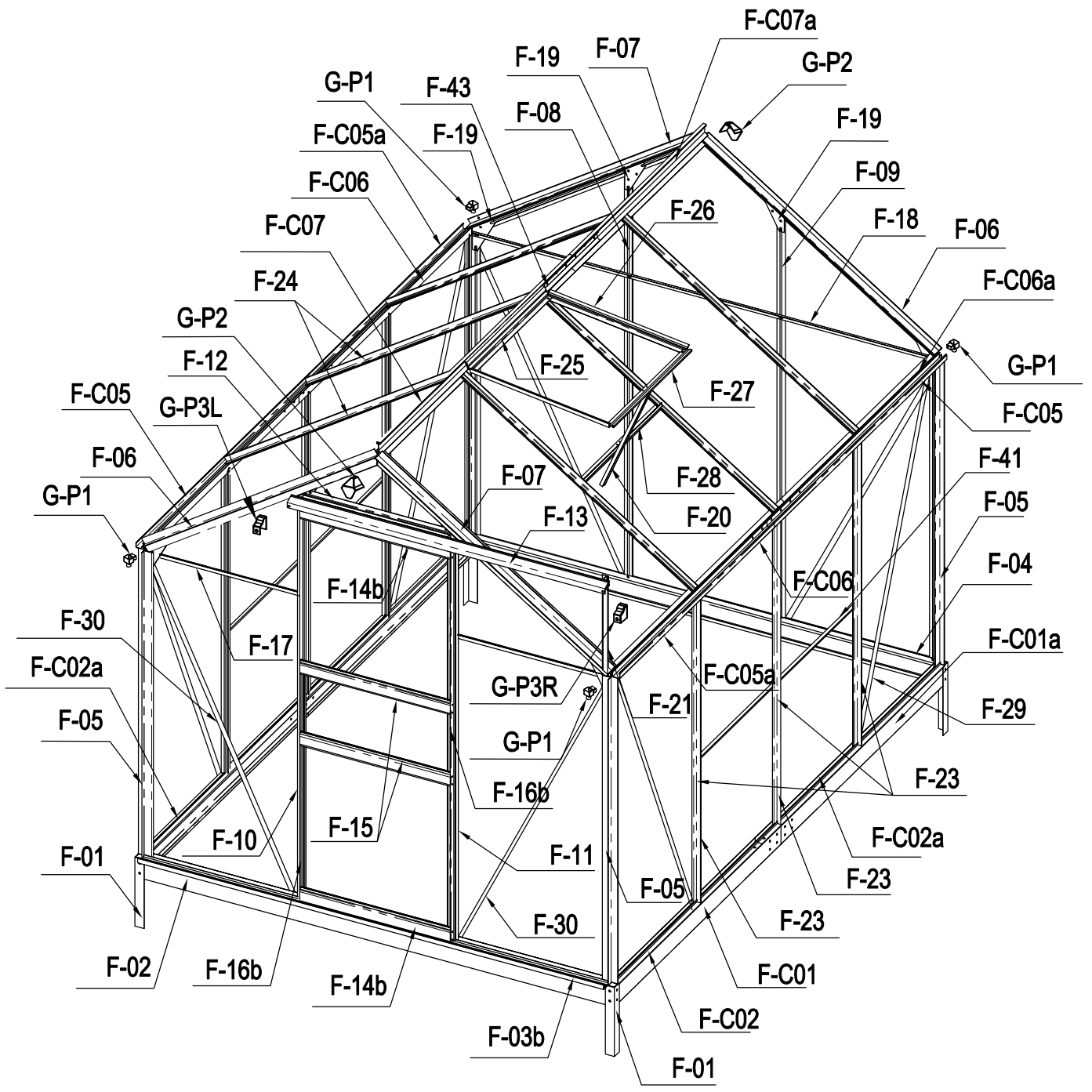
Do not attempt to force a small product to do the work of a larger industrial product. There are certain applications for which the greenhouse was designed. It will do the job better and more safely in the manner for which it was intended. Do not modify the greenhouse and do not use the greenhouse for a purpose for which it was not intended.

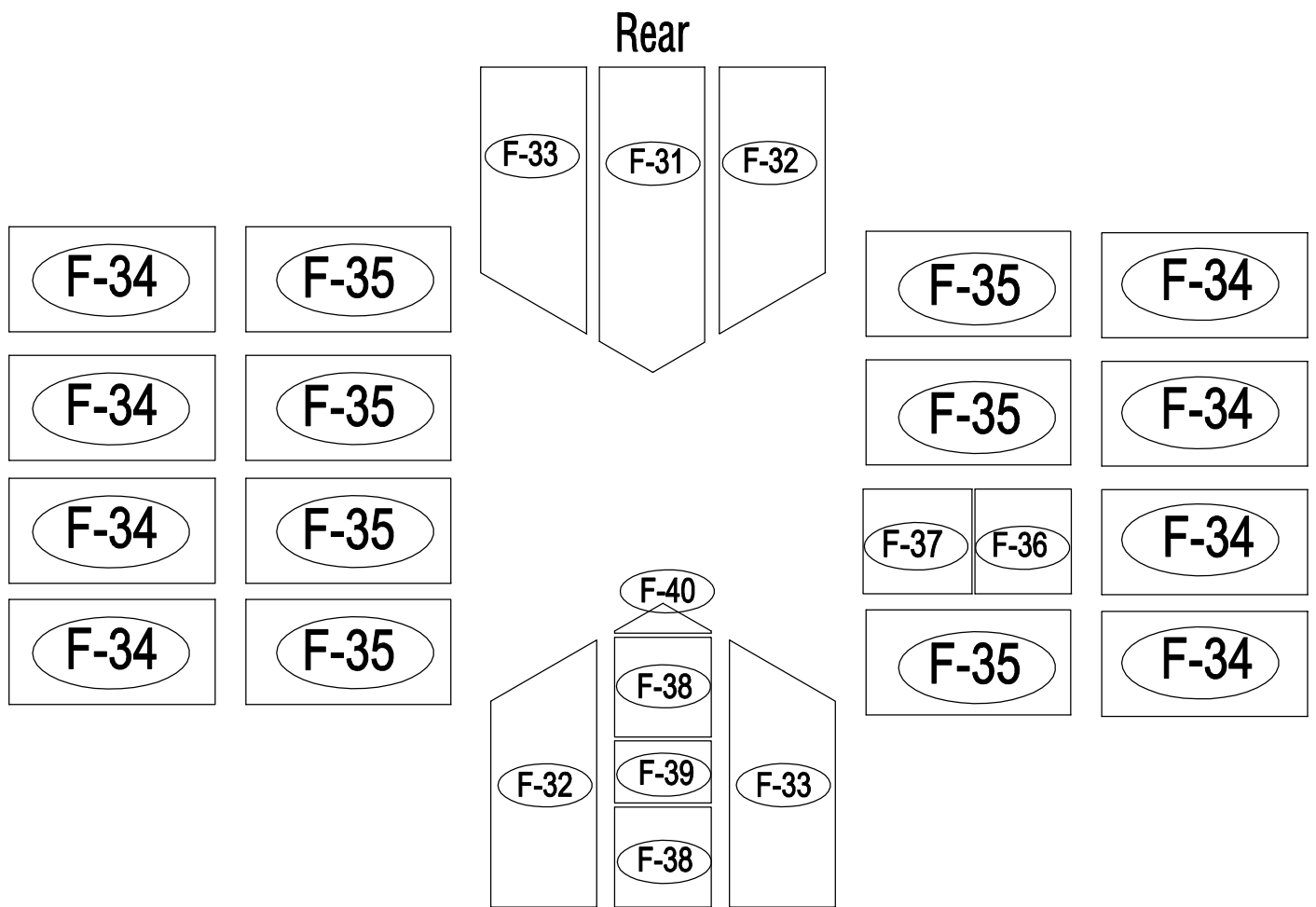
MAINTAIN A SAFE WORKING ENVIRONMENT.

Keep the work area tidy. Make sure there is adequate surrounding workspace. Avoid high traffic areas. Always keep the work area free of obstructions, grease, oil, trash and other debris.

PROPER GREENHOUSE LOCATION.

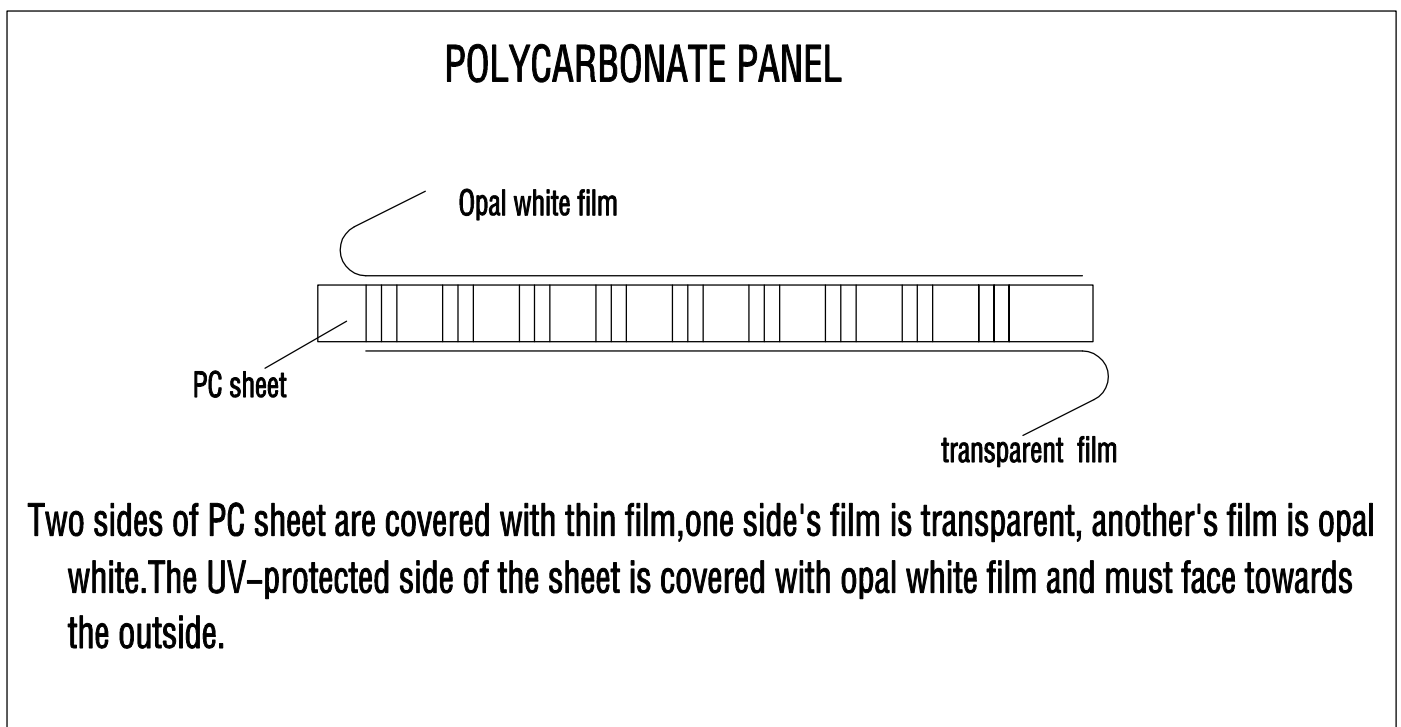
Make sure the greenhouse is located on a flat, level surface.





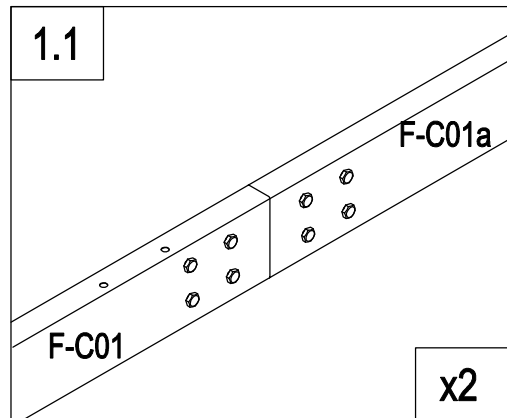
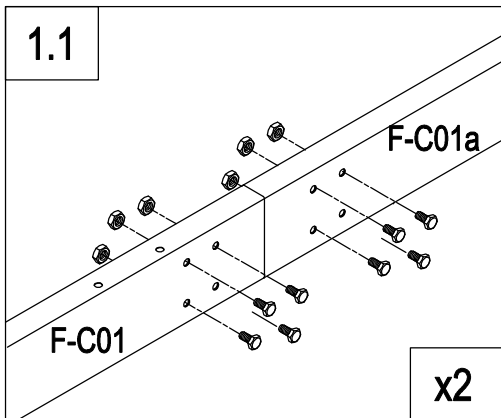
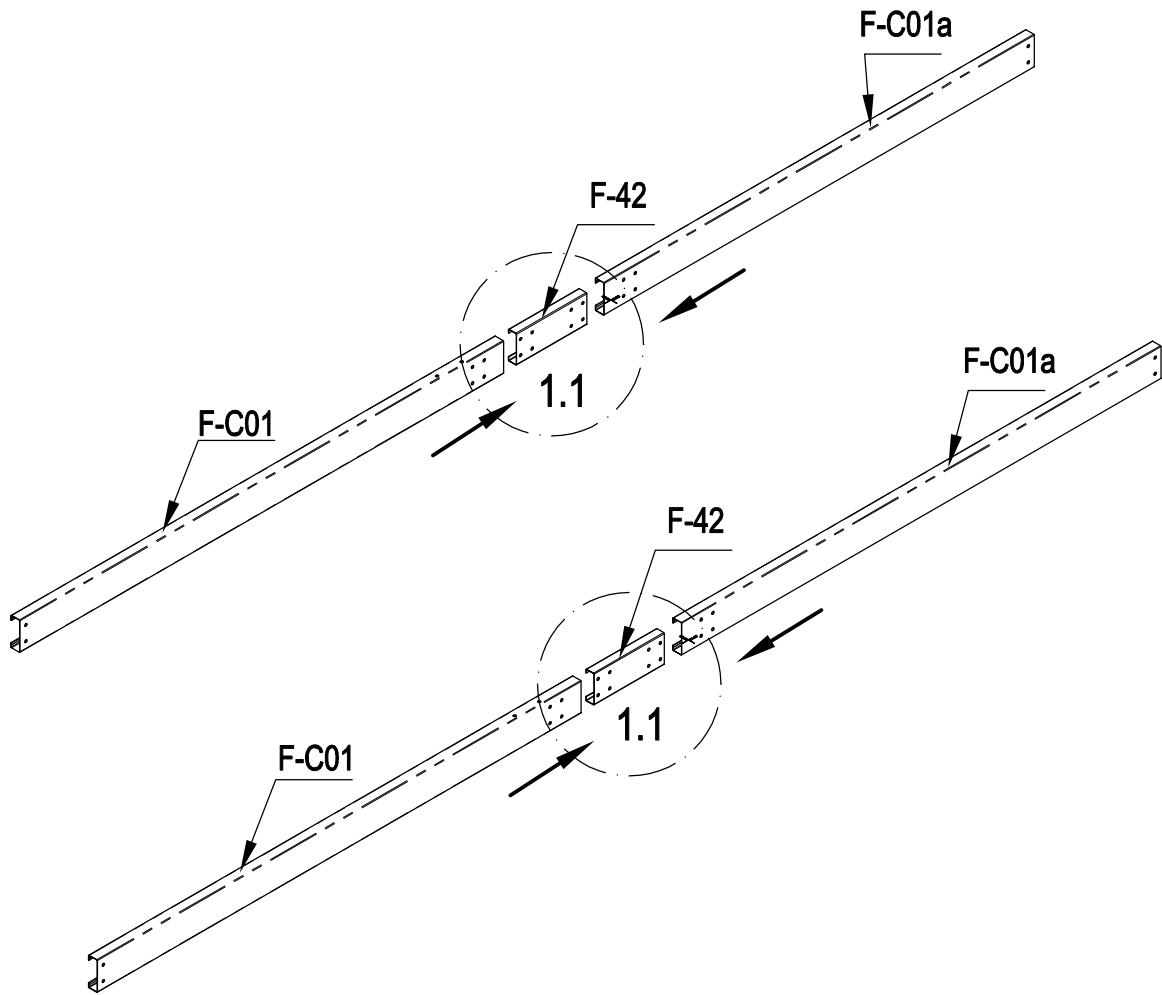
Notes:

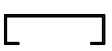
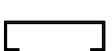

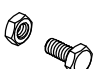
1. Remove approximately 5mm of film from all sheet edges before installing. remove all film immediately after the constructions completed.
2. The UV-protected side of the sheet is covered with opal white film and must face towards the sun.

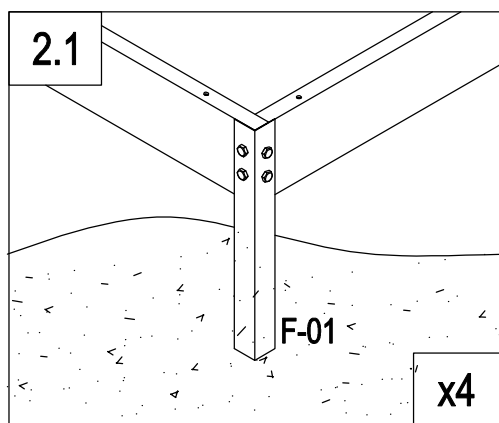
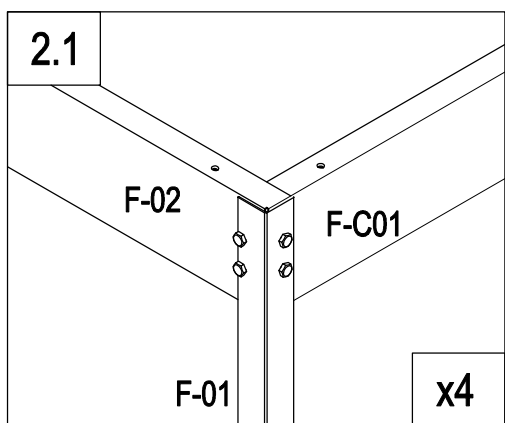
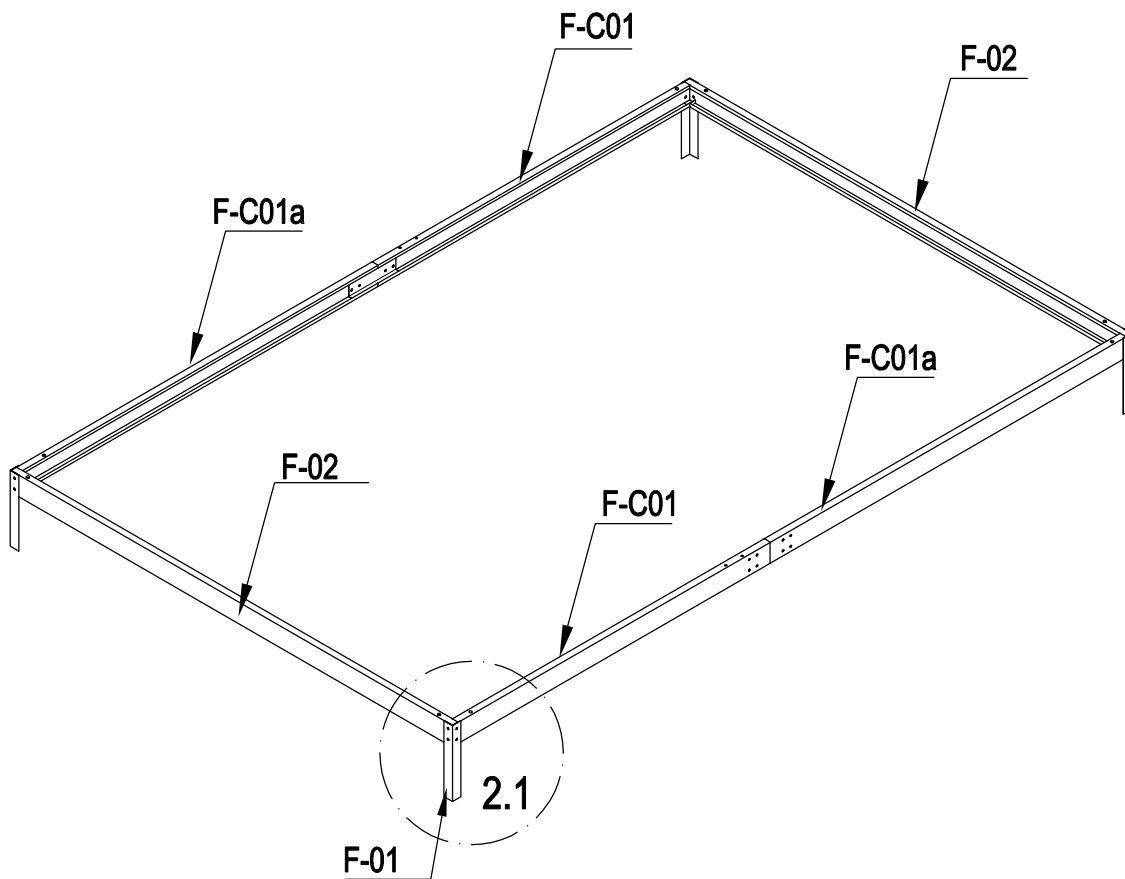


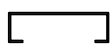

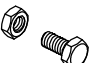
PARTS LIST

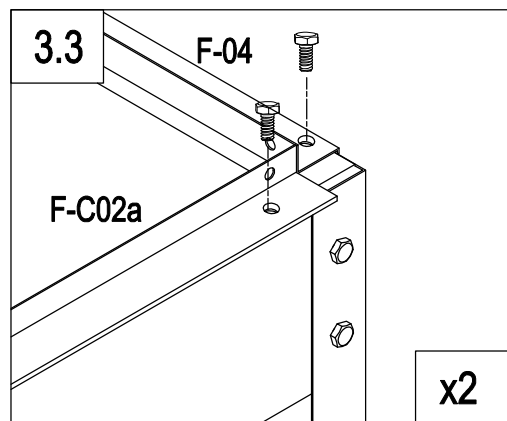
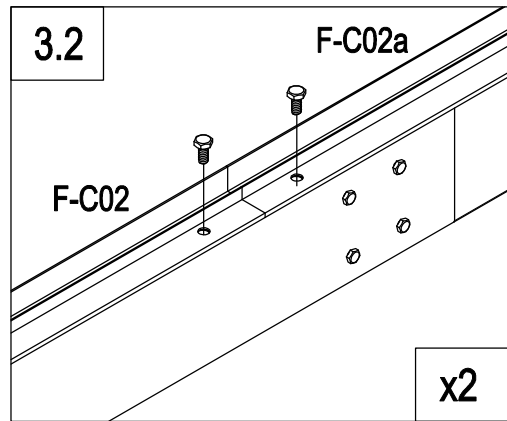
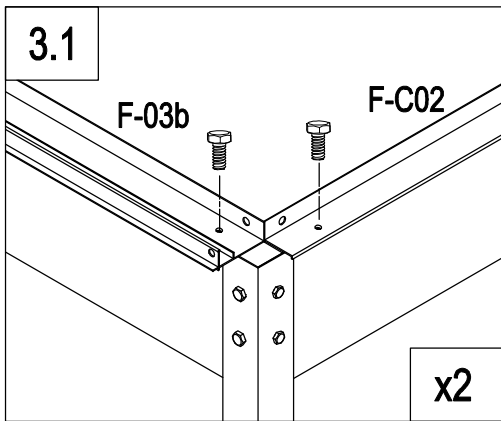
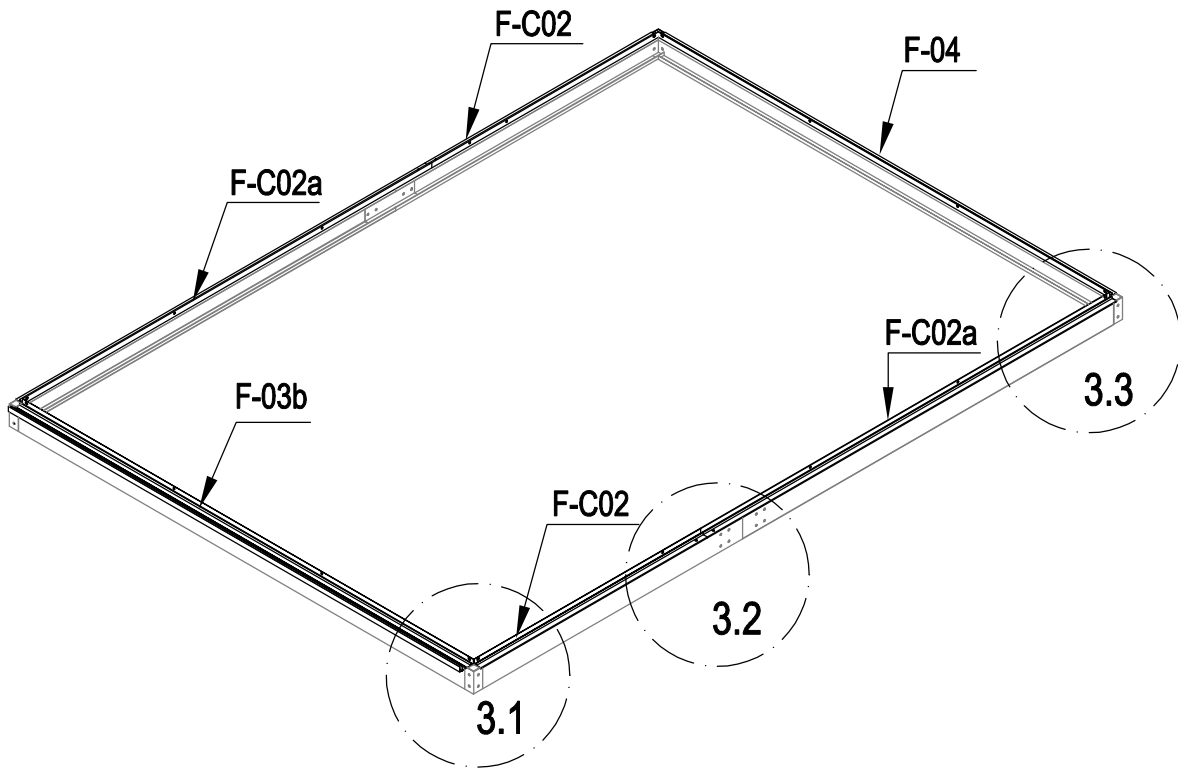
BASE							
IMAGE	NO.	L.	QTY	IMAGE	NO.	L.	QTY
	F-01	280	4		F-36	540x585	1
	F-02	1882	2		F-40		1
	F-C01	1241	2		F-19		8
	F-C01a	1241	2		F-43	390	2
	F-03b	1833	1	WINDOW			
	F-04	1833	1	IMAGE	NO.	L.	QTY
	F-C02	1070	2		F-20	360	1
	F-C02a	1362	2		F-25	580	1
	F-42	200	2		F-26	550	2
	F-C13		18		F-27	580	1
WALL AND ROOF					F-28	620	1
IMAGE	NO.	L.	QTY		F-37	577x583	1
	F-05	1240	4	DOOR			
	F-06	1105	2	IMAGE	NO.	L.	QTY
	F-07	1105	2		F-12	572.5	1
	F-08	1650	1		F-13	1240	1
	F-09	1650	1		F-14b	600	2
	F-23	1240	6		F-15	600	2
	F-24	1100	6		F-16b	1615	2
						F-21	376
	F-10	1644	1		F-22b		4
	F-11	1644	1		F-38	590x598	2
	F-C05	1286	2		F-39	251x598	1
	F-C05a	1150	2	PLASTIC			
	F-C06	1288	2	IMAGE	NO.	L.	QTY
	F-C06a	1144	2		G-P1		4
	F-17	618	6		G-P2		2
	F-18	1815	1		G-P3L		1
	F-29	1360	4		G-P3R		1
	F-30	1328	4	SCREW			
	F-41	1216	2	IMAGE	NO.	L.	QTY
	F-C07	1432	1		F-C14		178
	F-C07a	1000	1		ST4x10		12
	F-31	1850x585	1		ST4x8		6
	F-32	1644x585	2	SCREW			
	F-33	1644x585	2	IMAGE	NO.	L.	QTY
	F-34	1238x585	8		F-C15a		12
	F-35	1110x585	7		F-C16		6

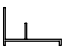
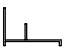
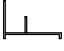
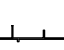



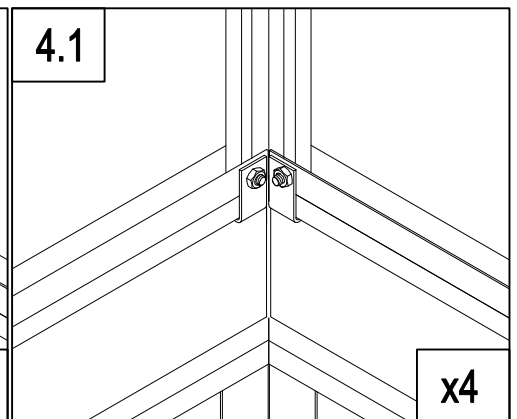
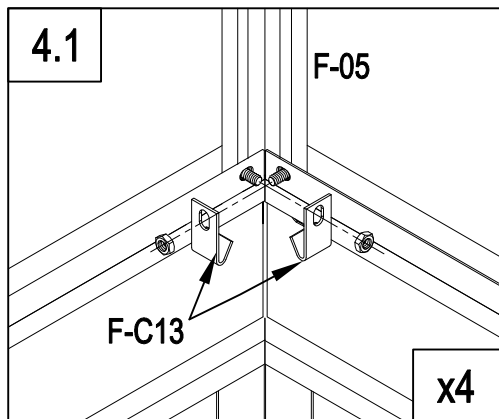
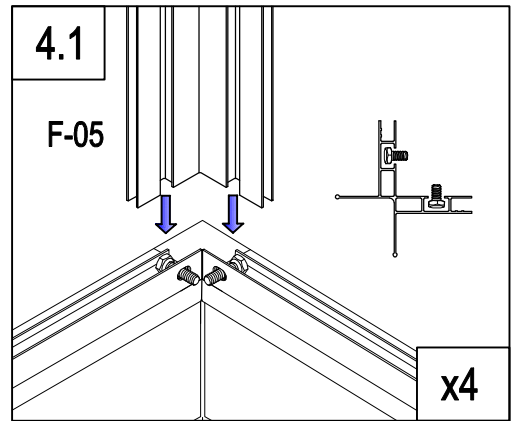
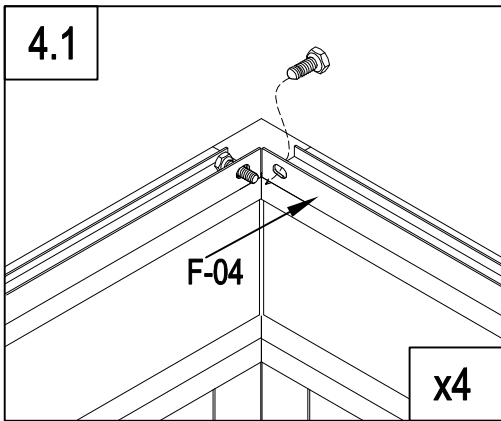
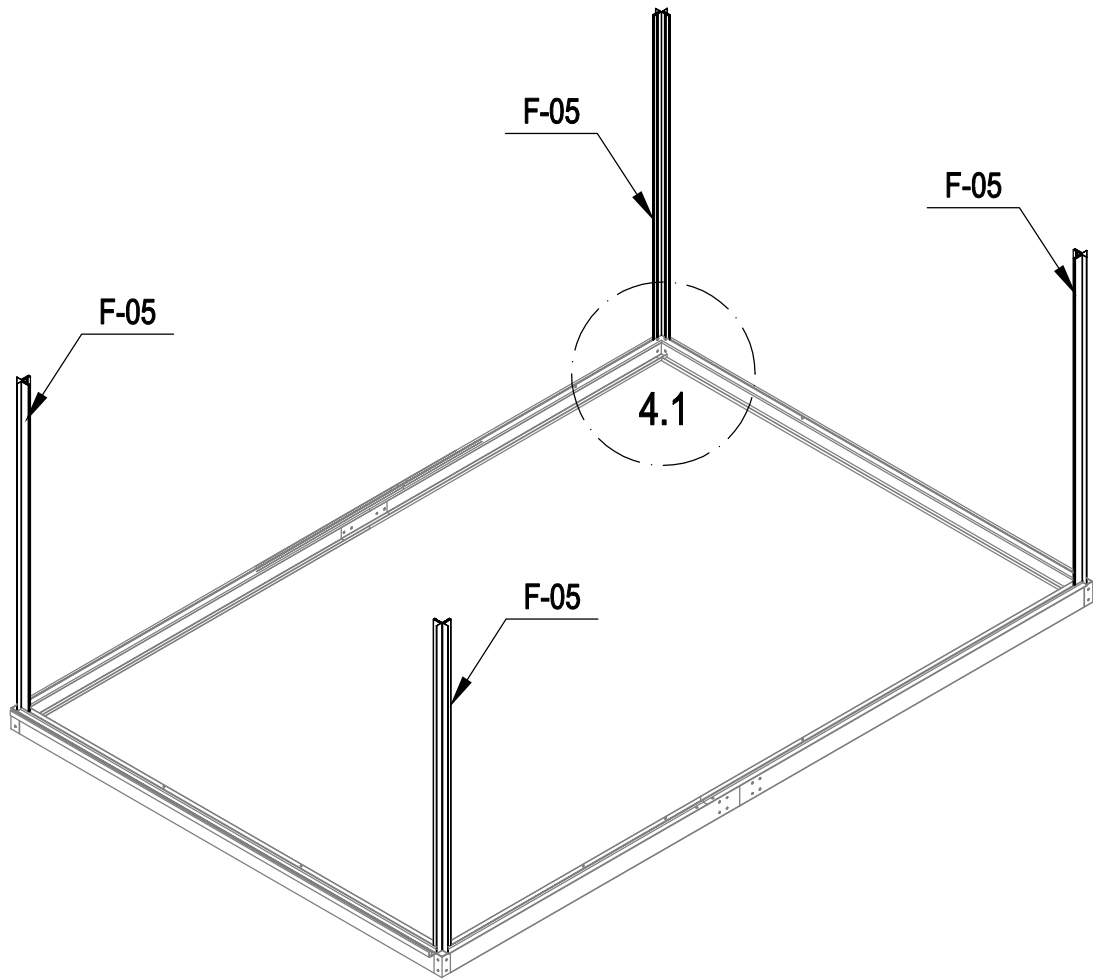
	F-C01	2
	F-C01a	2
	F-42	2
	F-C14	16


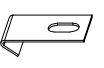
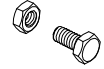


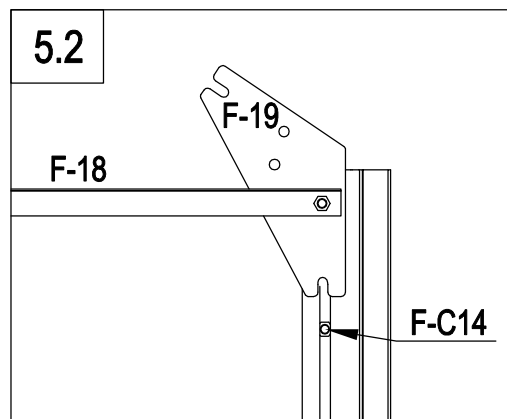
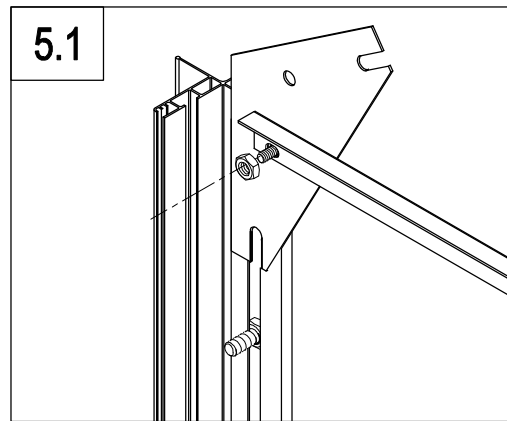
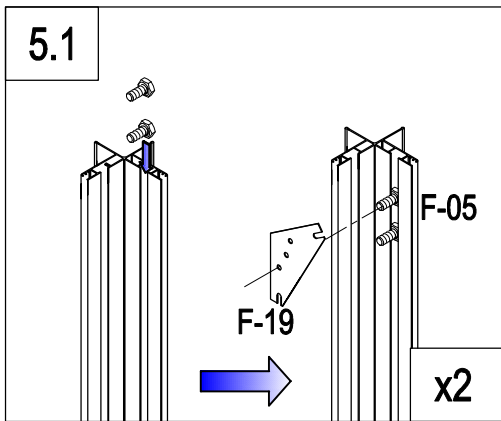
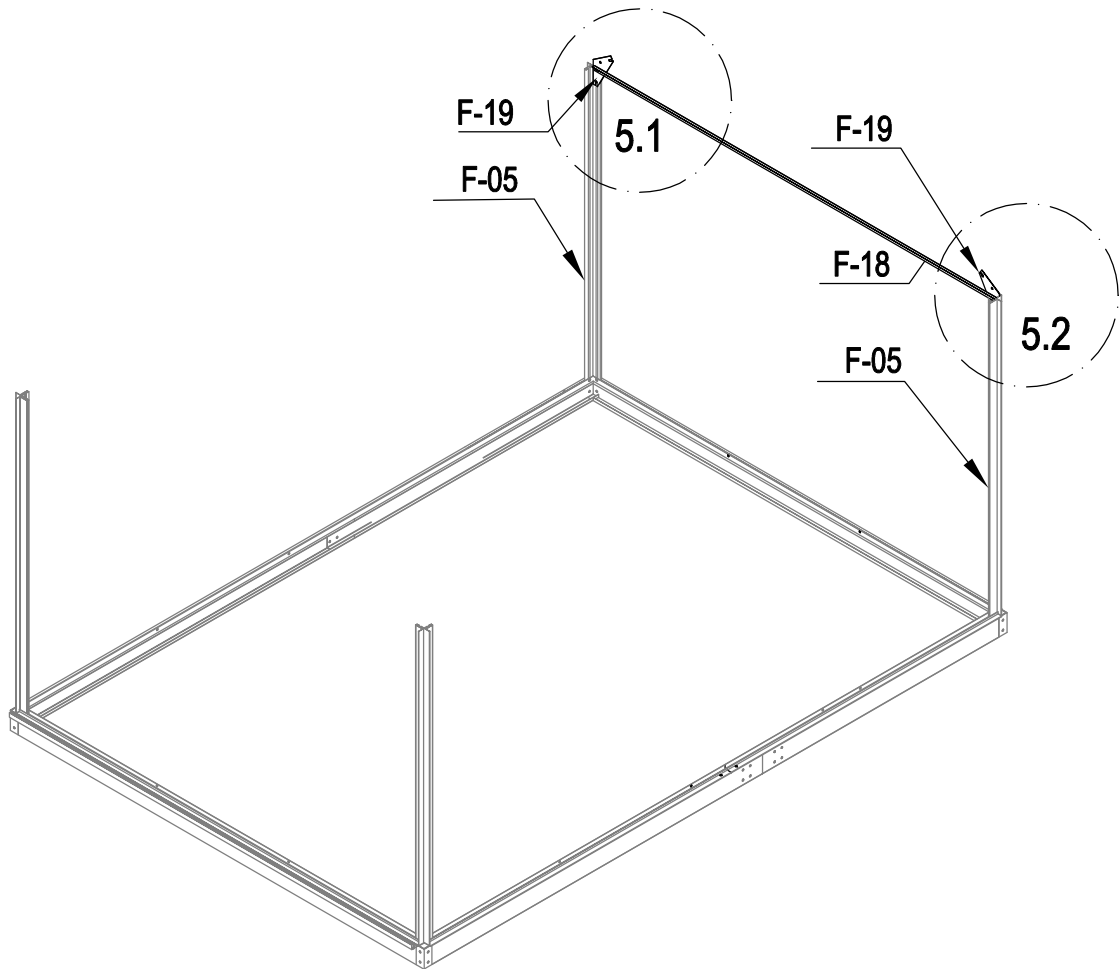
	F-02	2
	F-01	4
	F-C14	16



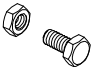


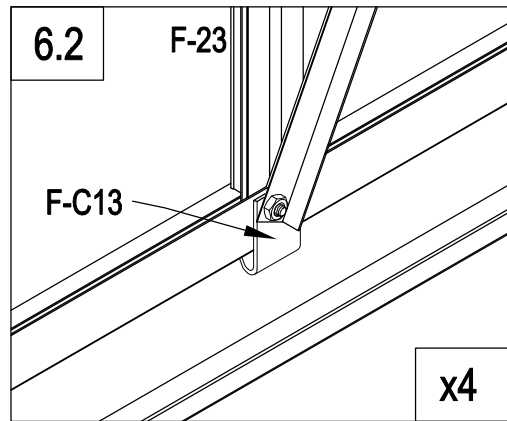
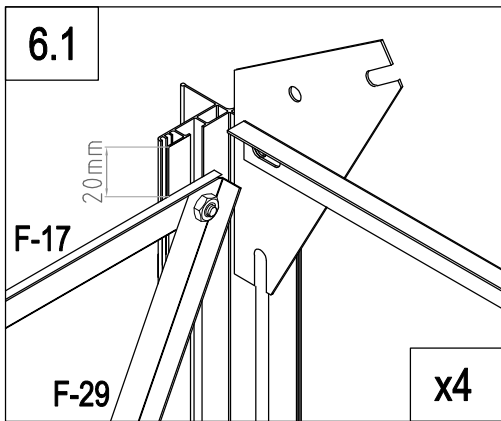
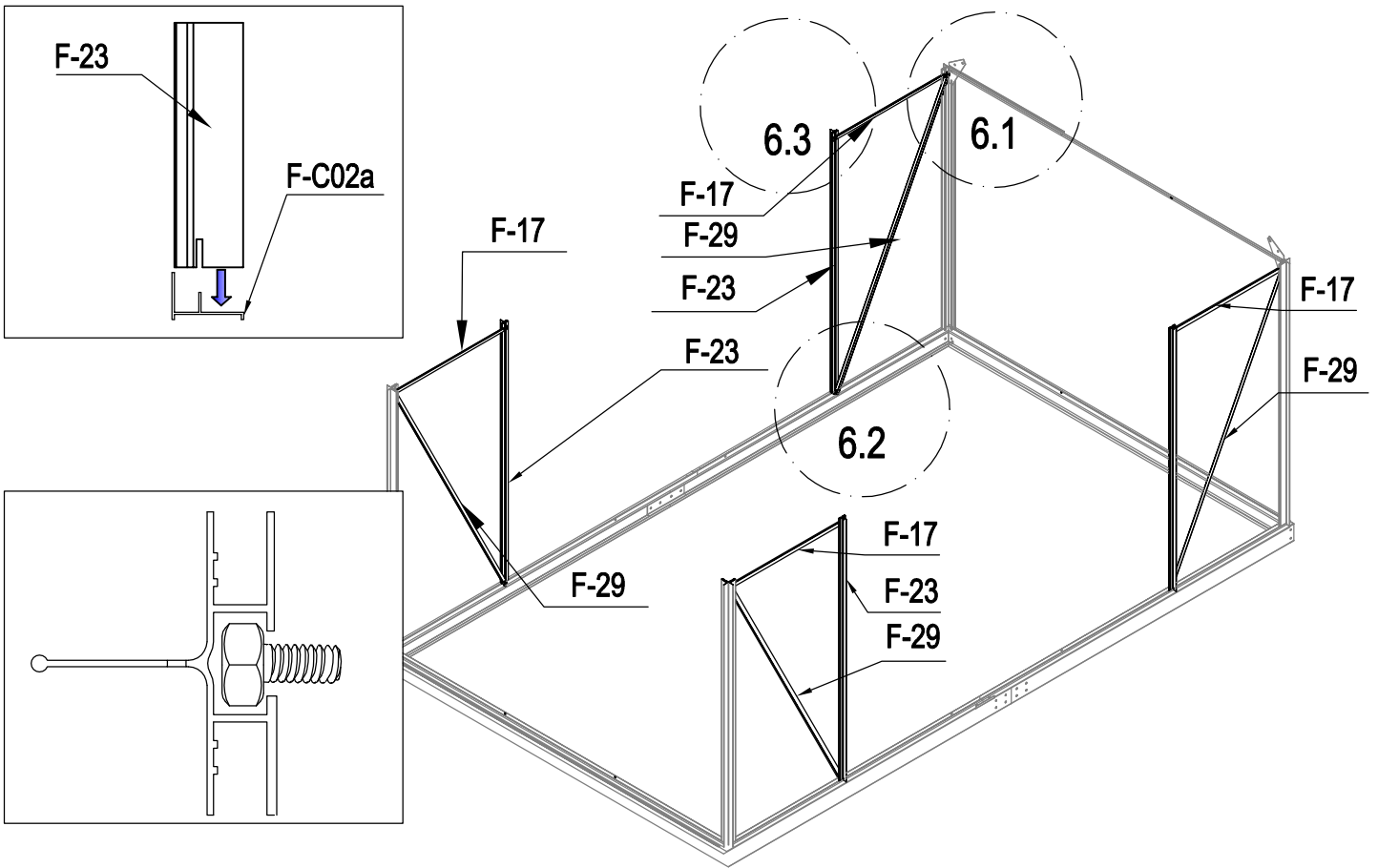
	F-C02	2
	F-C02a	2
	F-04	1
	F-03b	1
	F-C14	12



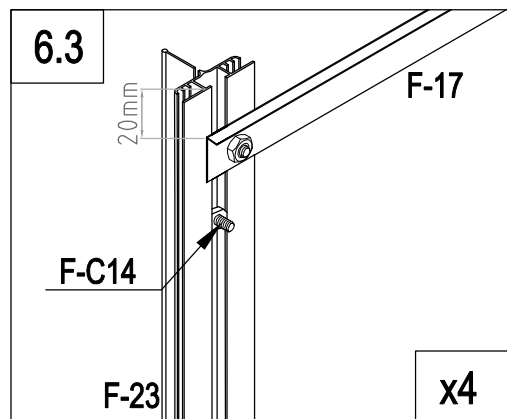
	F-05	4
	F-C13	8
	F-C14	8

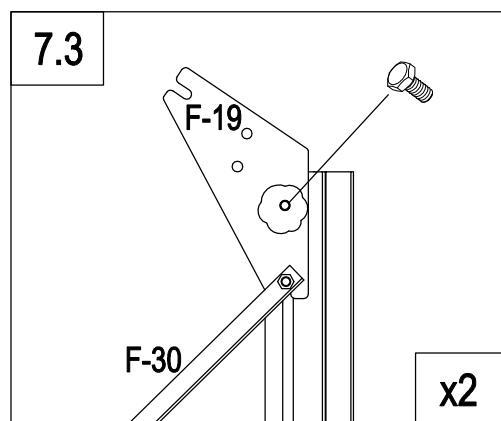
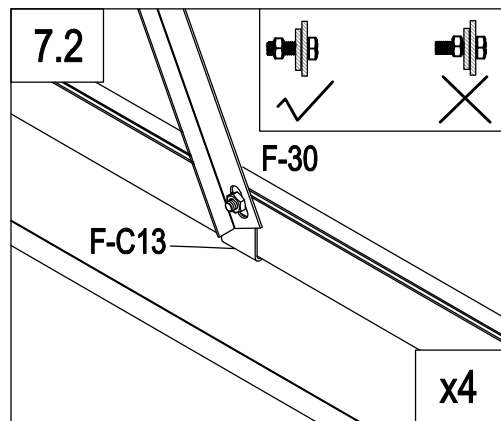
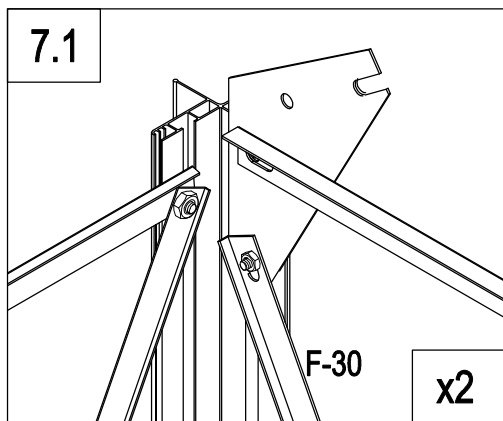
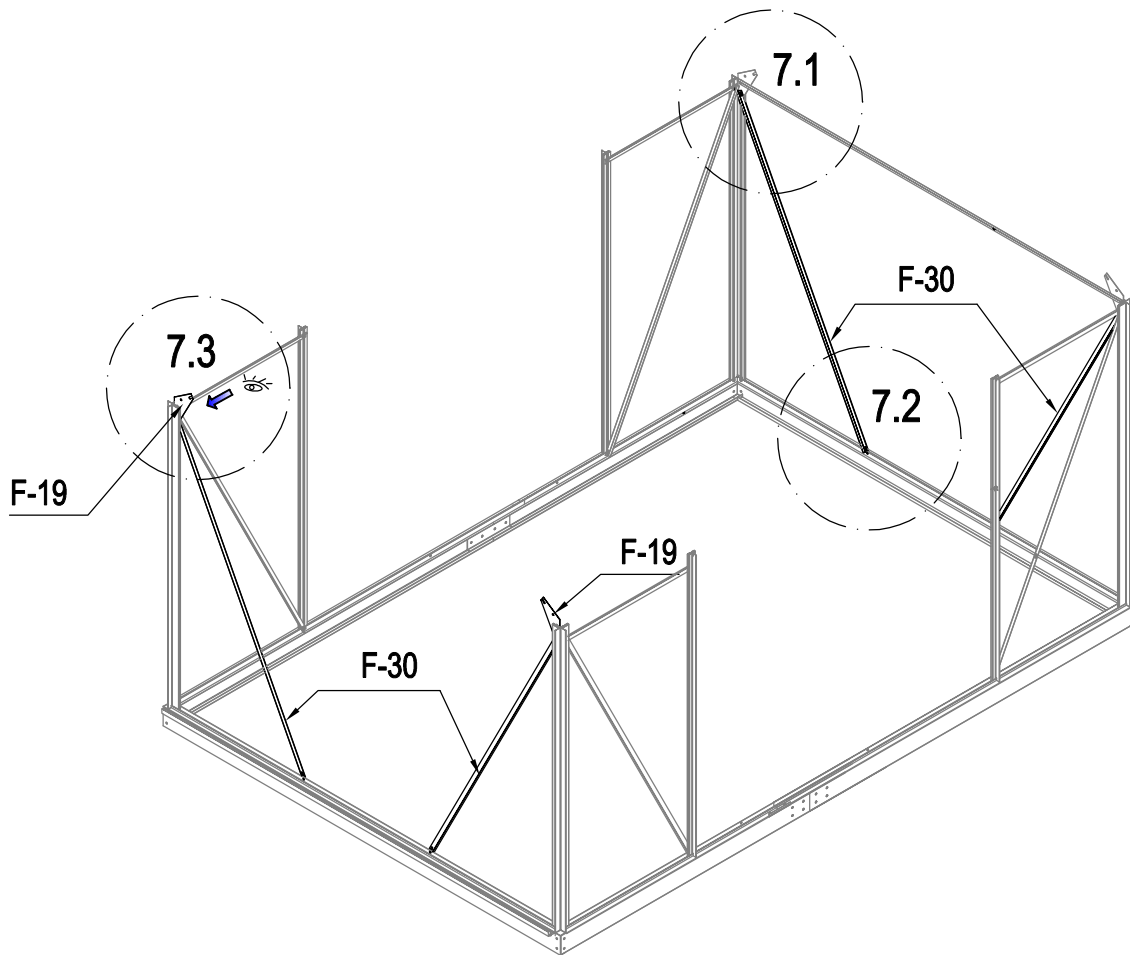


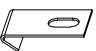

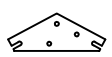
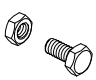
	F-18	1
	F-19	2
	F-C14	4

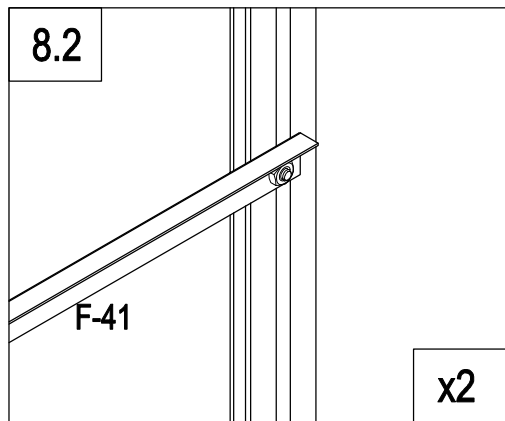
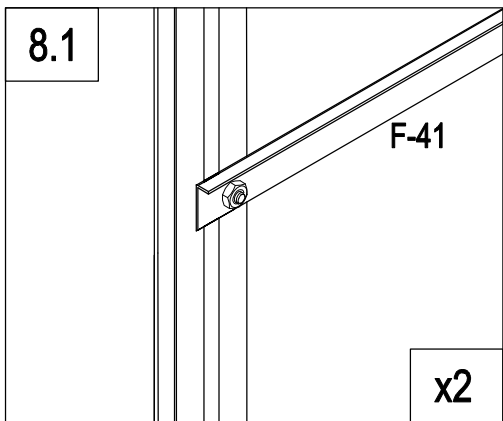
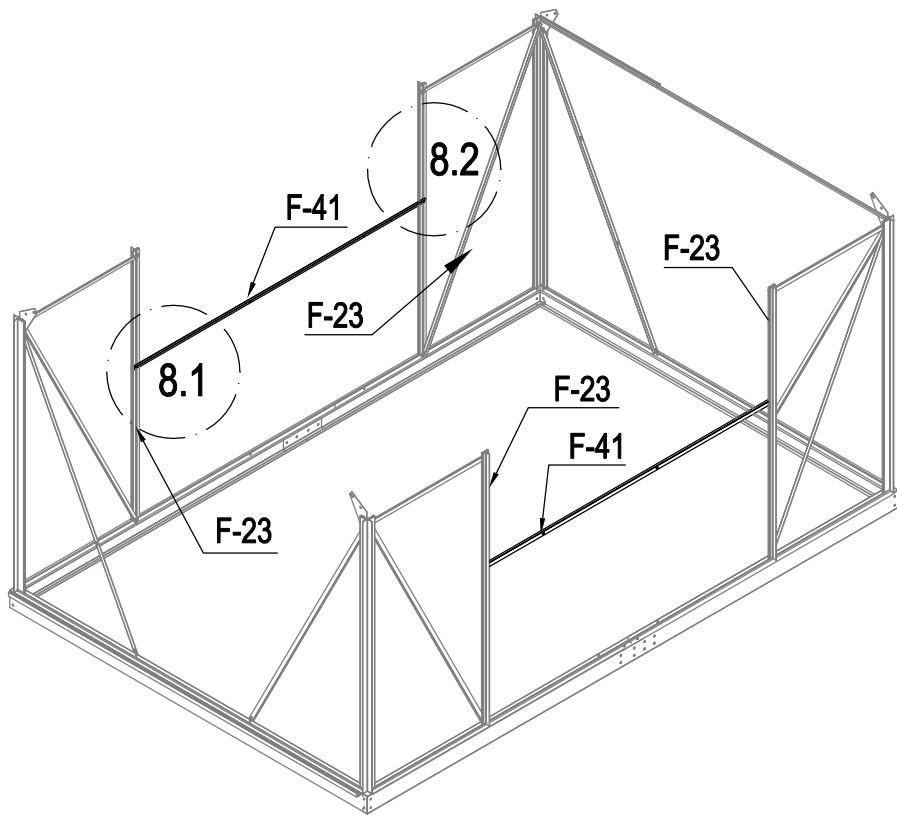




	F-C13	4
	F-17	4
	F-23	4
	F-29	4
	F-C14	16
	F-C14	12

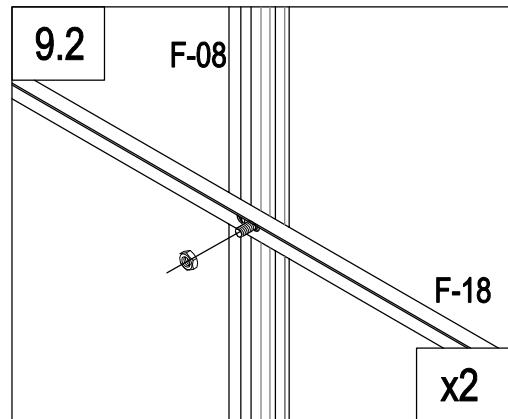
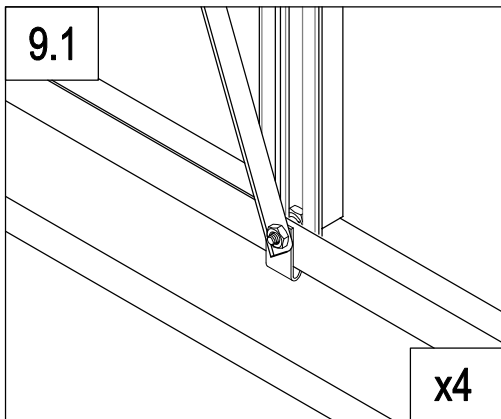
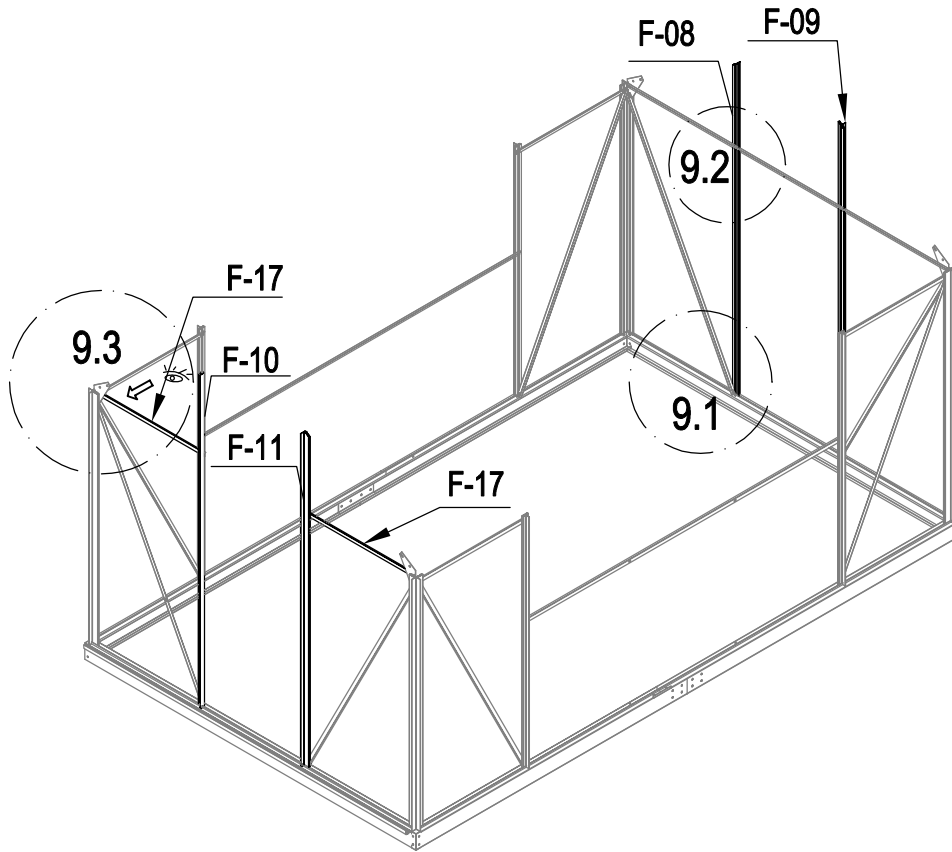




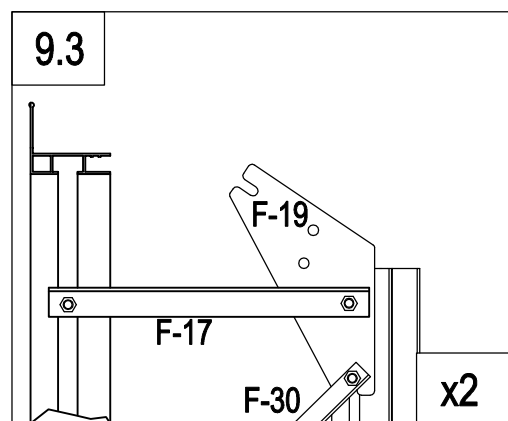
	F-C13	4
	F-30	4
	F-19	2
	F-C14	8

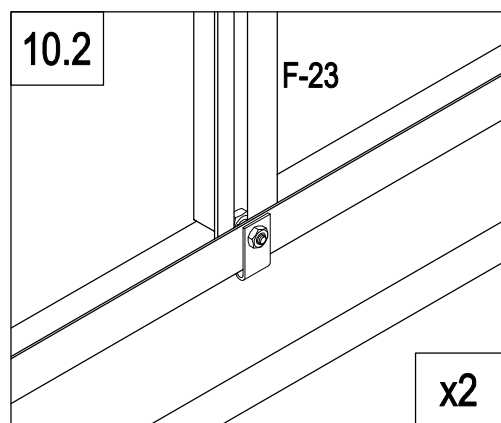
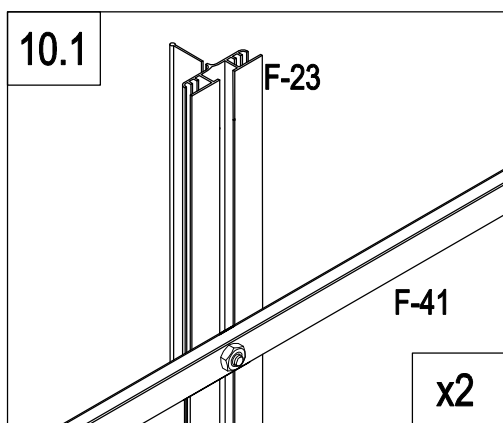
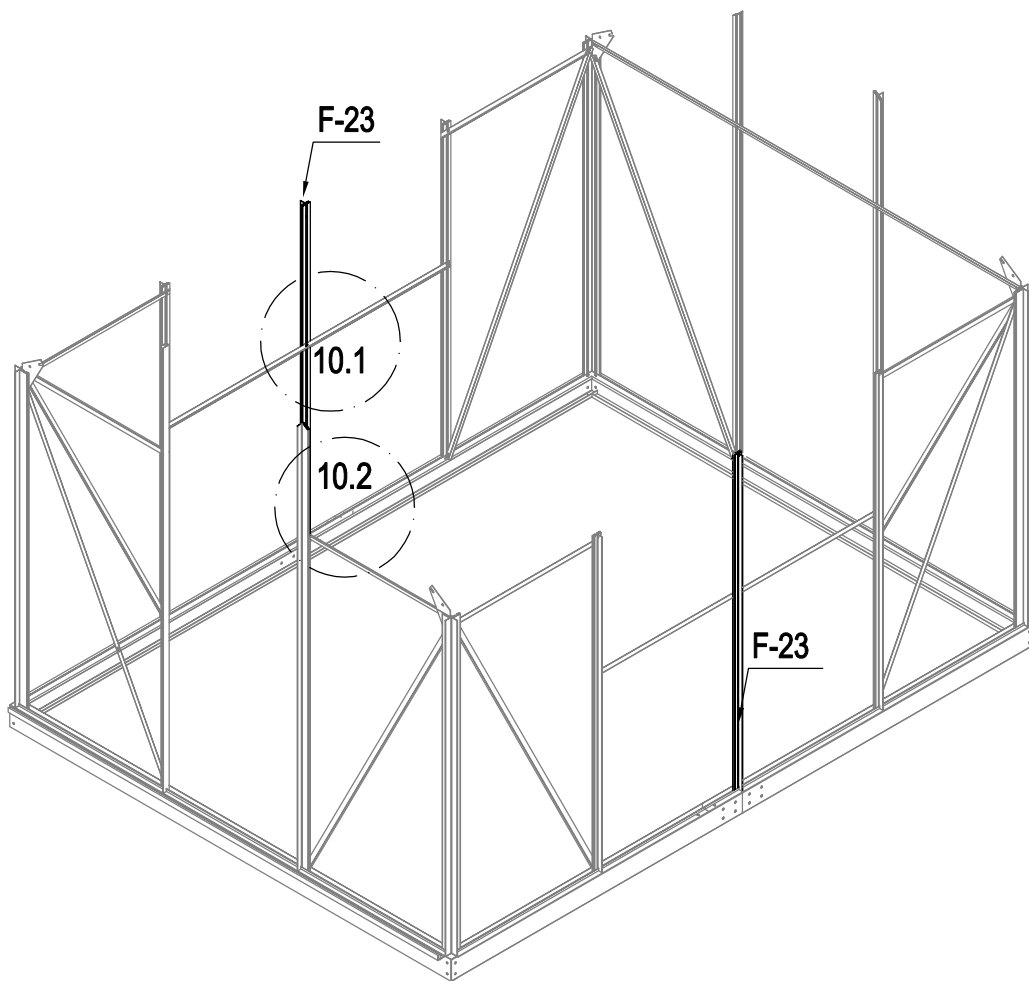


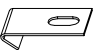
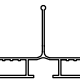

	F-41	2
	F-C14	4

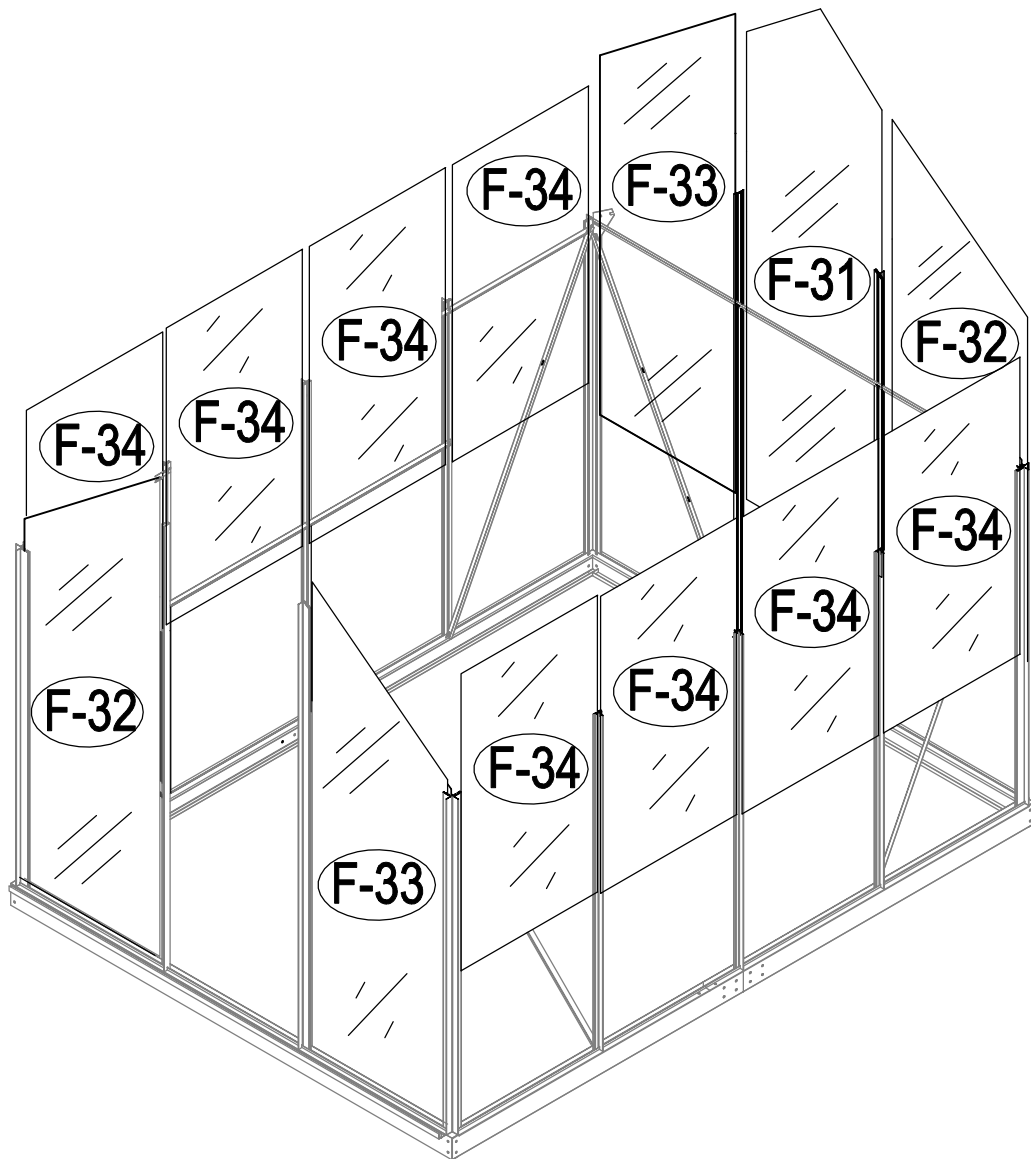


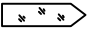
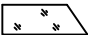
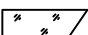
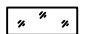
	F-08	1
	F-09	1
	F-10	1
	F-11	1
	F-17	2
	F-C14	4

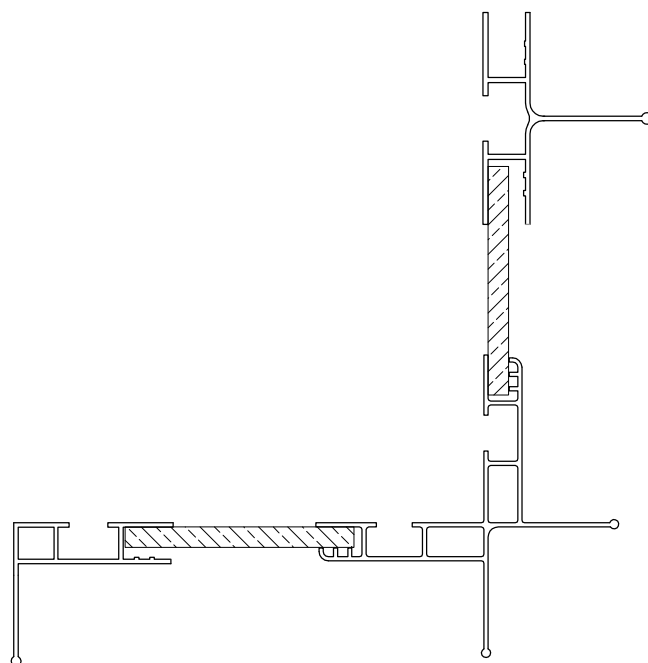


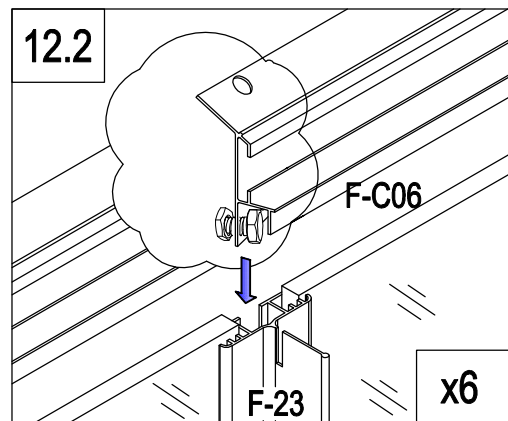
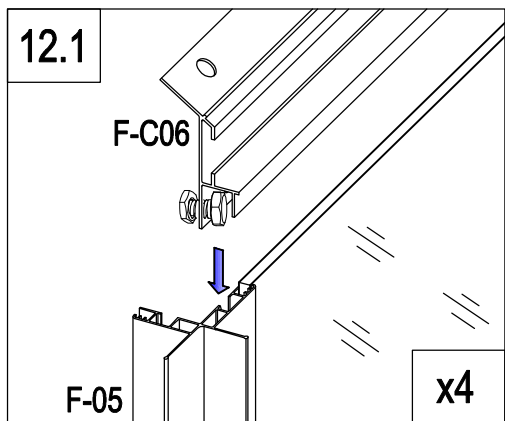
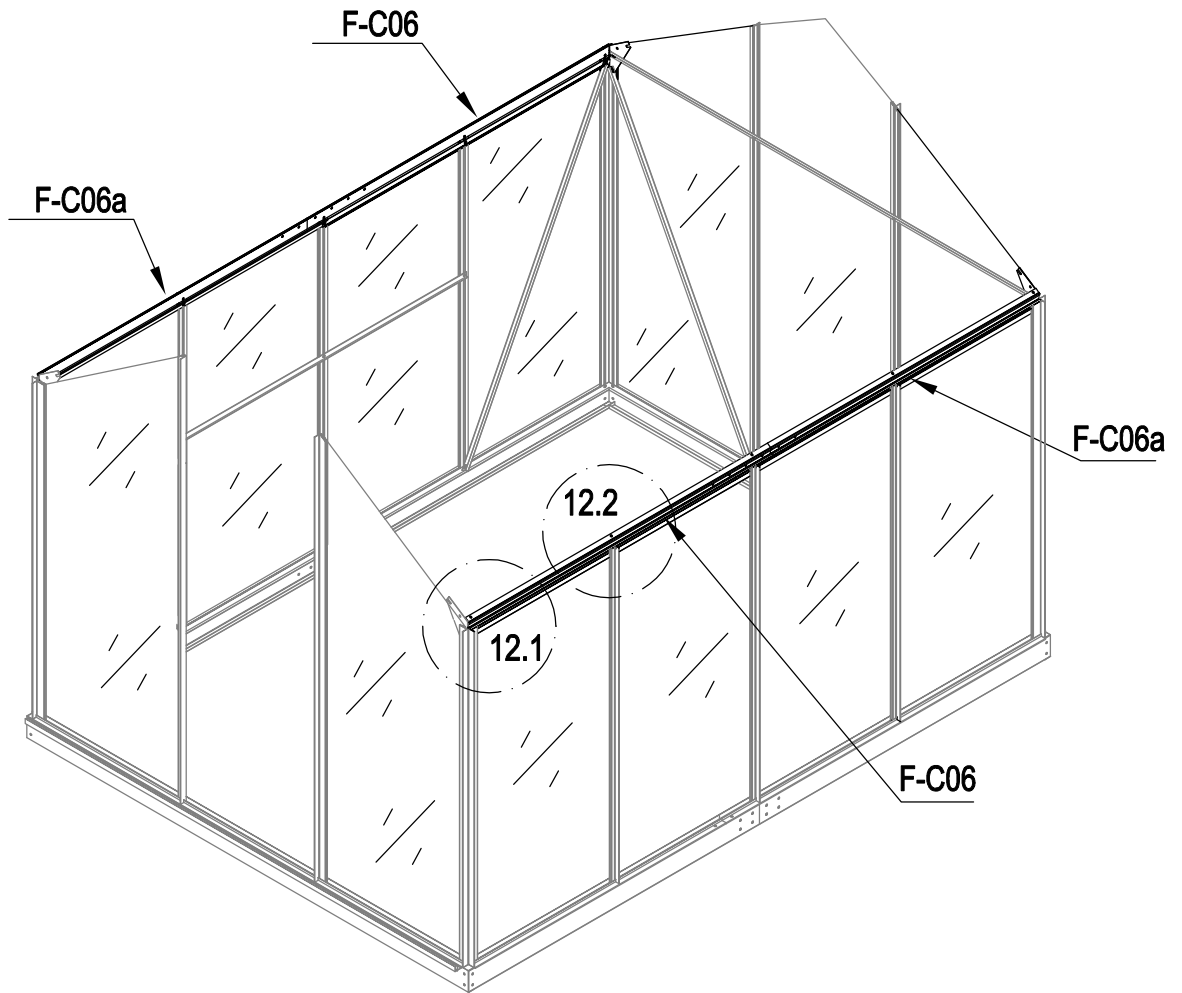


	F-C13	2
	F-23	2
	F-C14	4

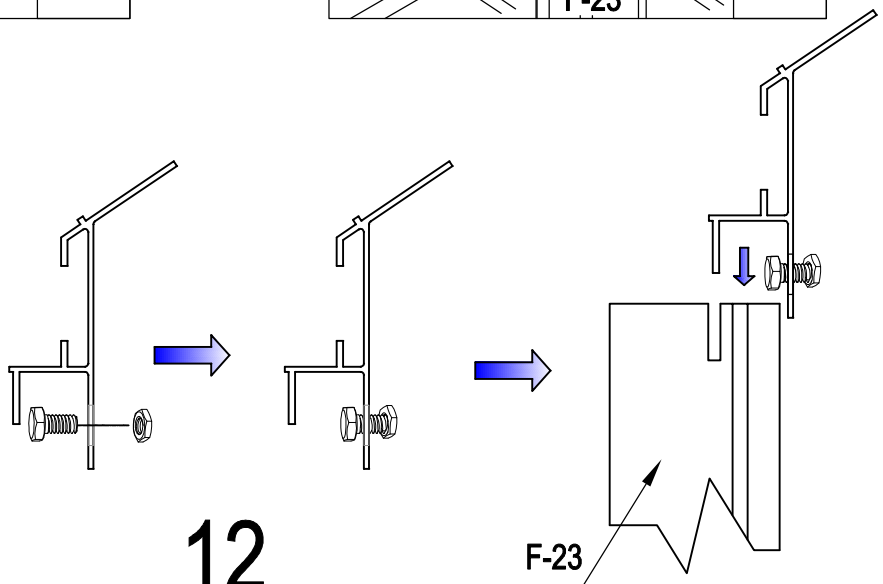


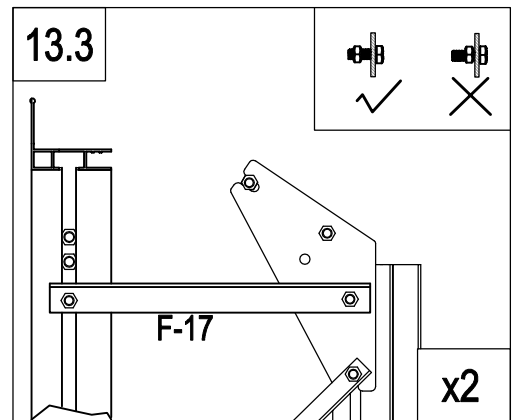
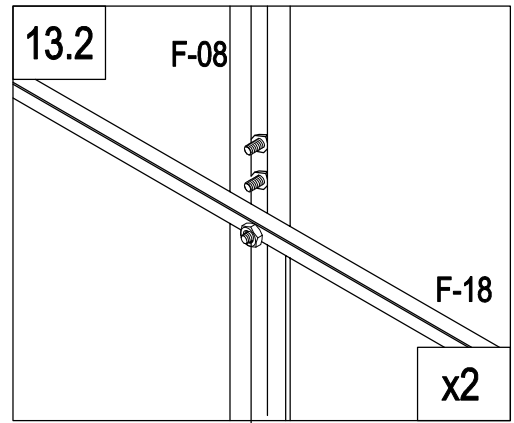
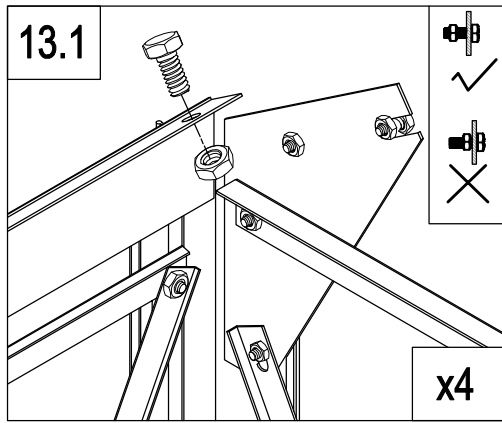
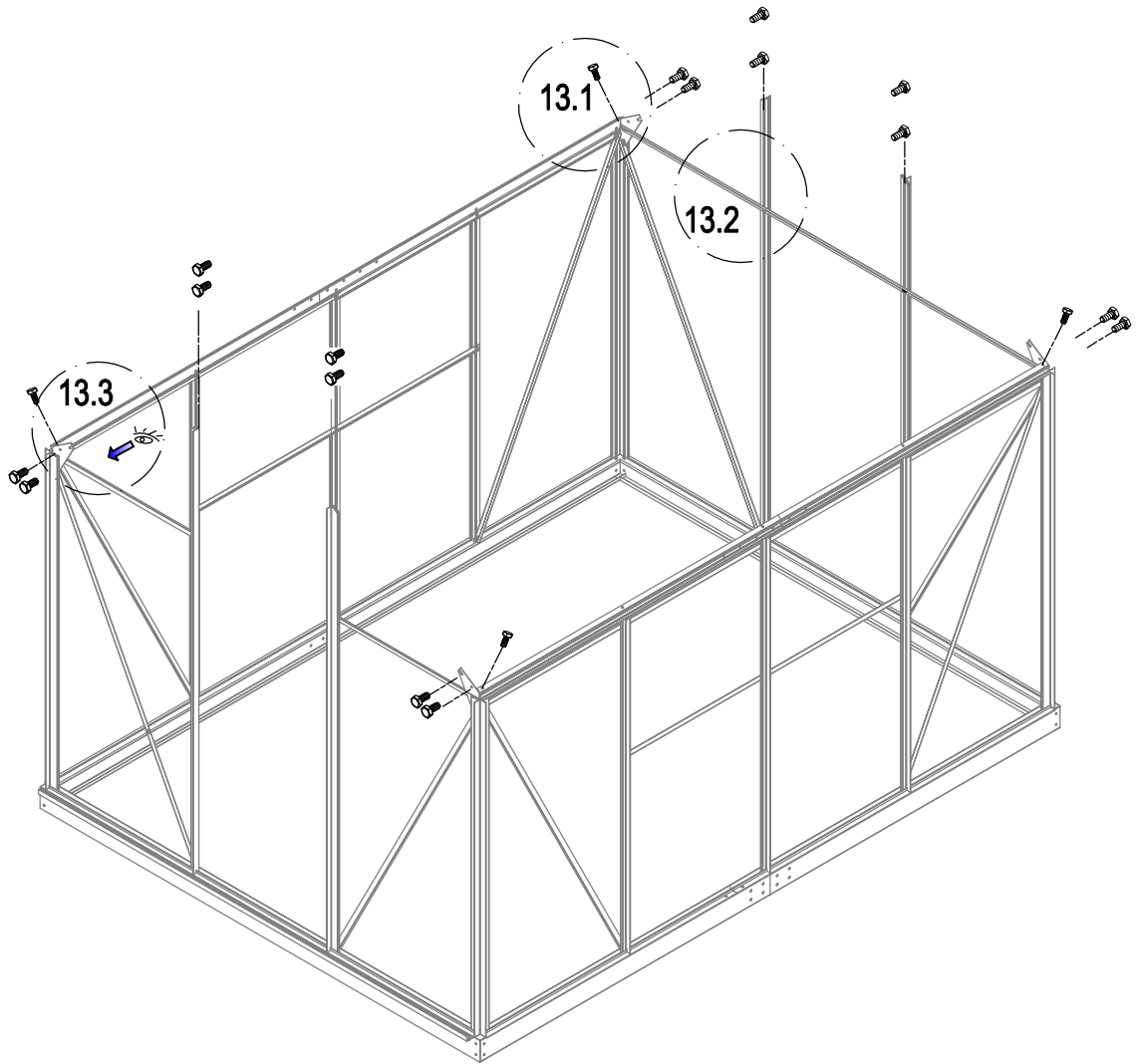
	F-31	1
	F-32	2
	F-33	2
	F-34	8

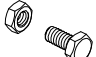


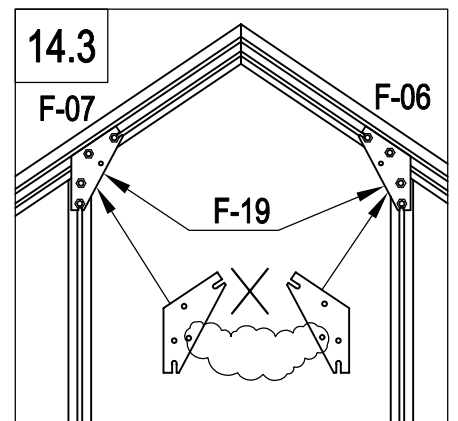
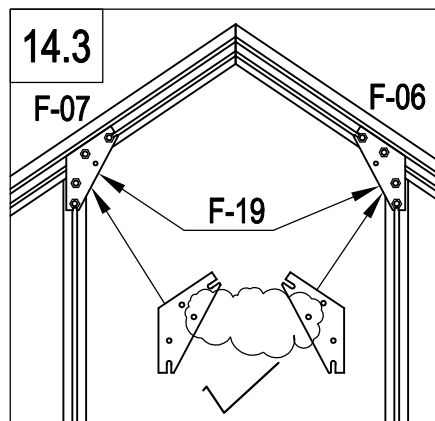
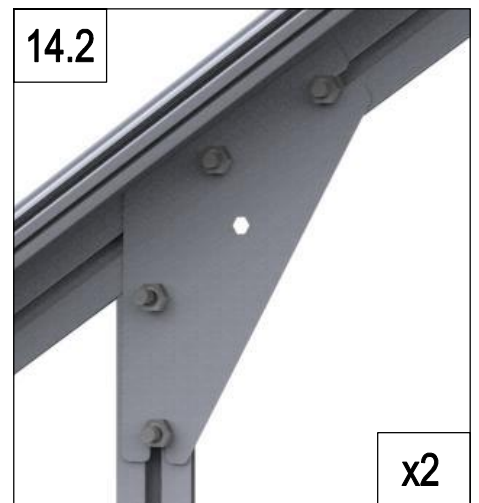
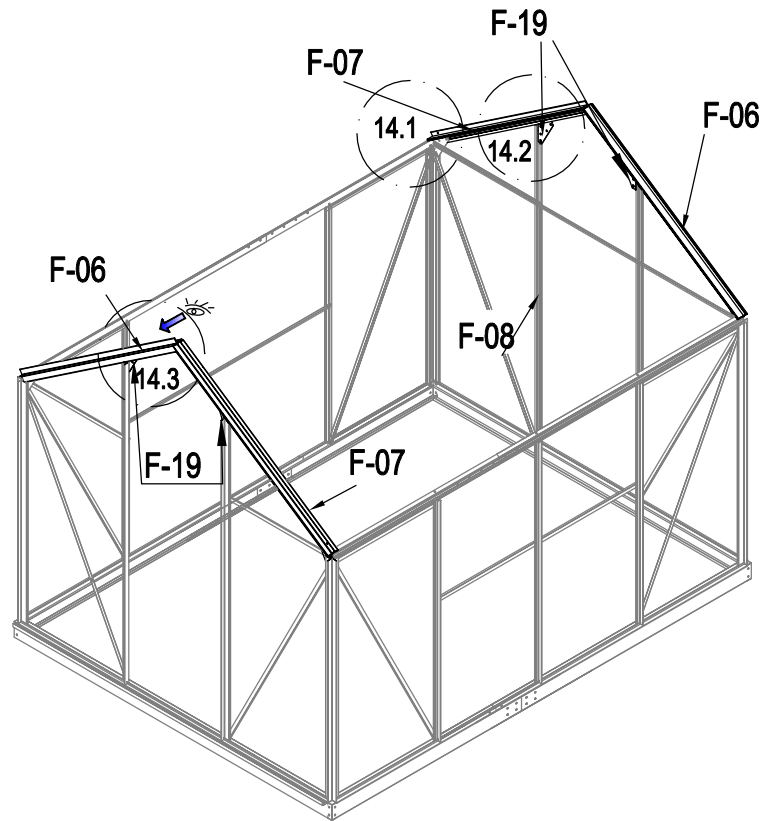
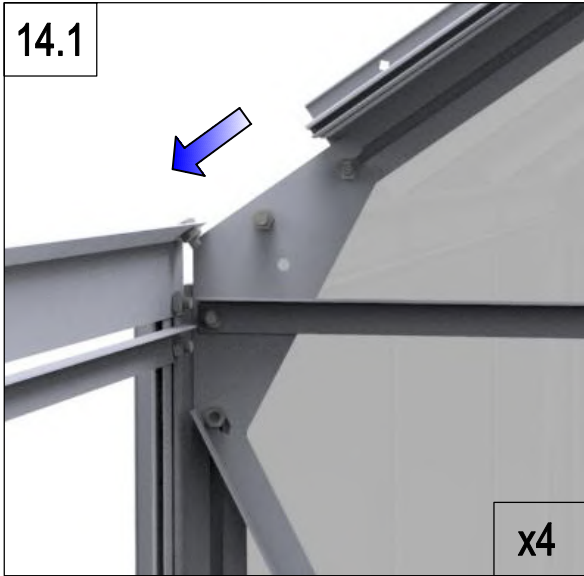


	F-C06	2
	F-C06a	2
	F-C14	10

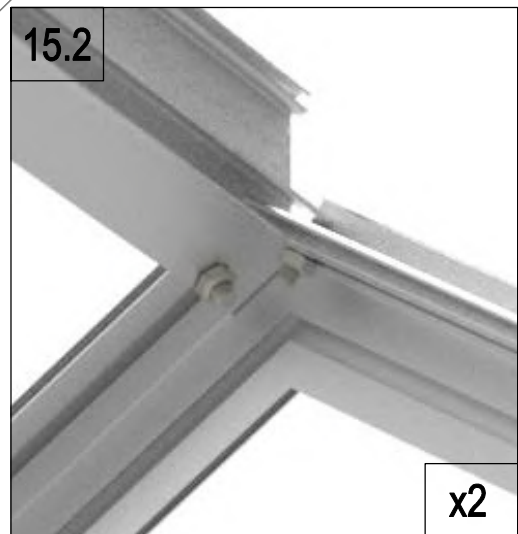
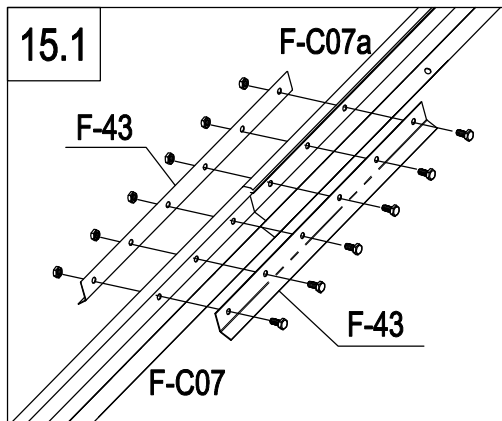
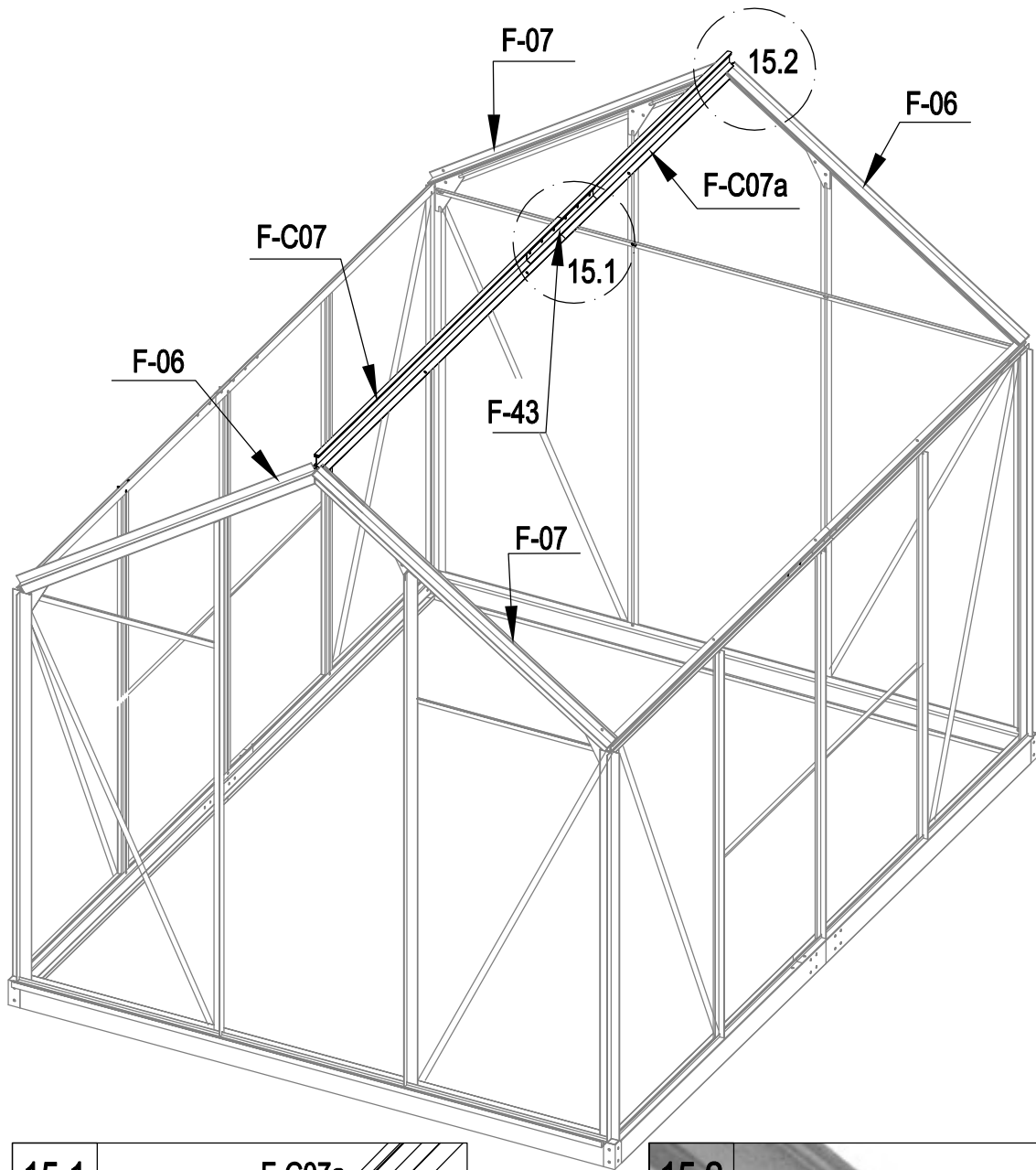




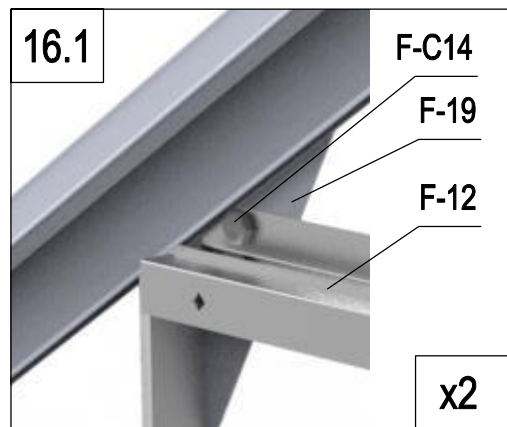
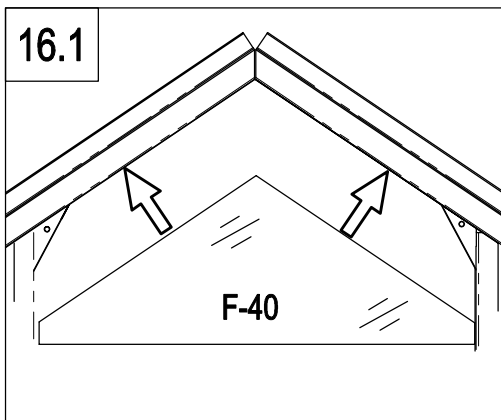
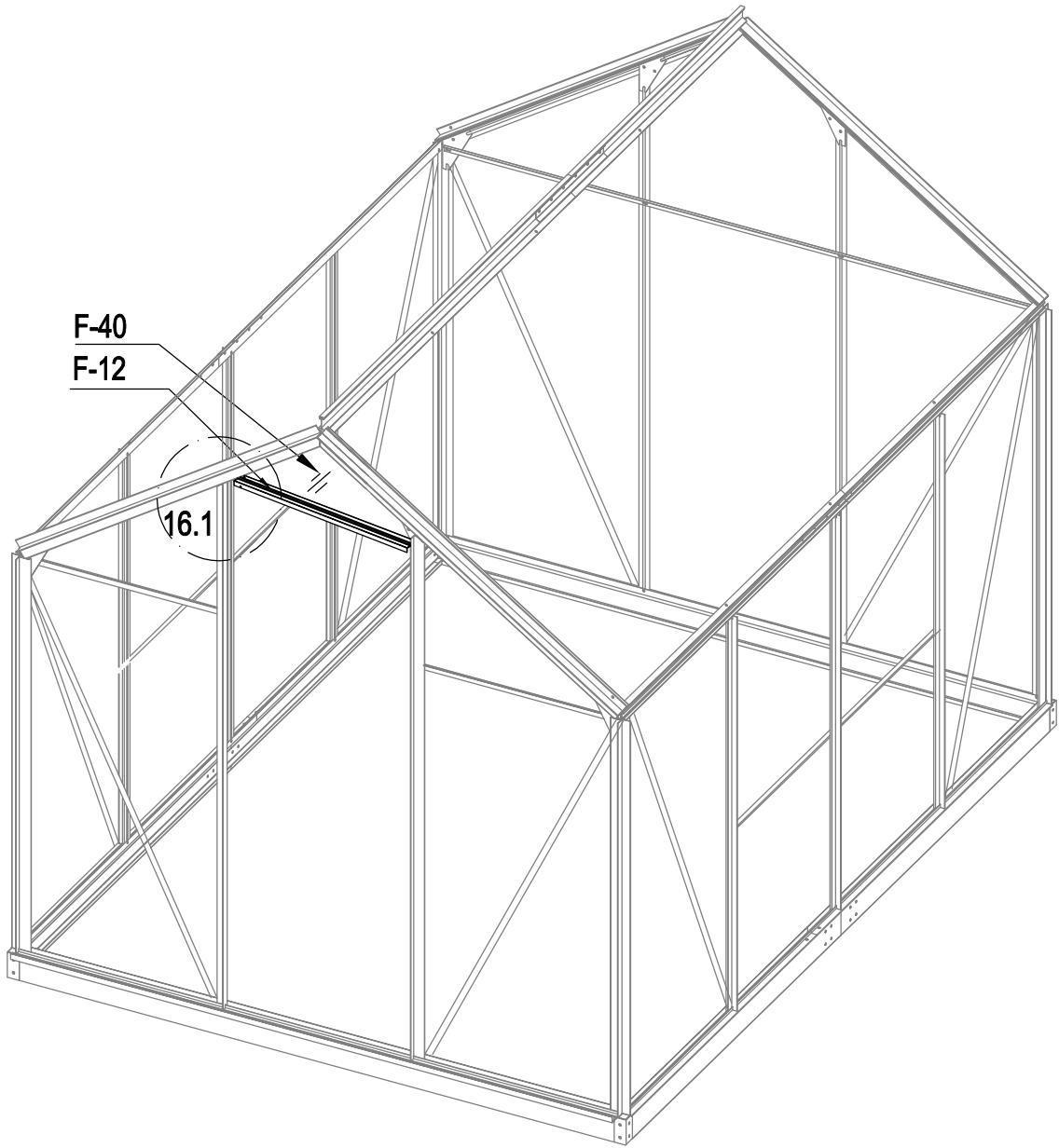
	F-C14	20
---	-------	----

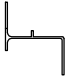

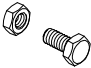


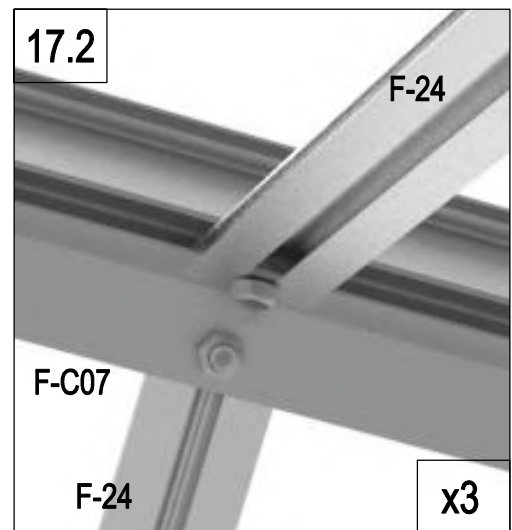
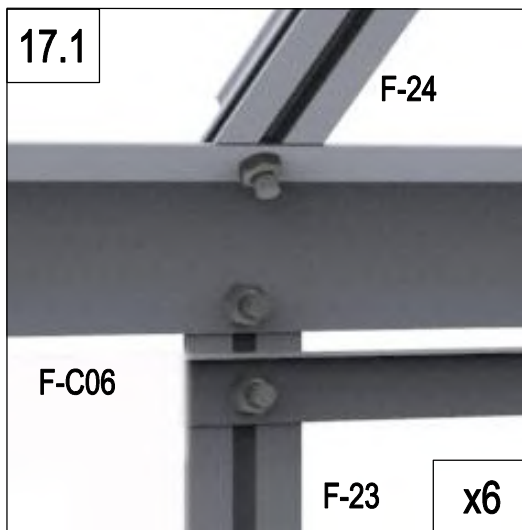
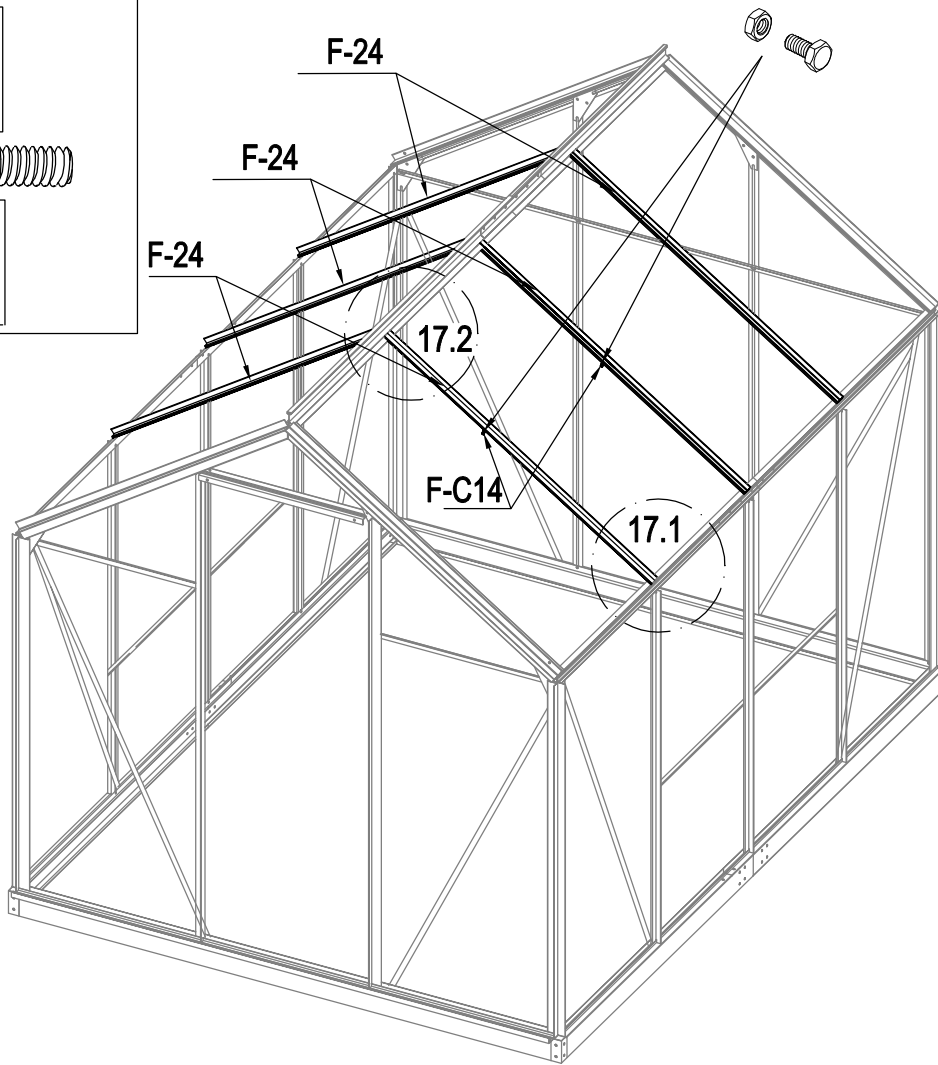
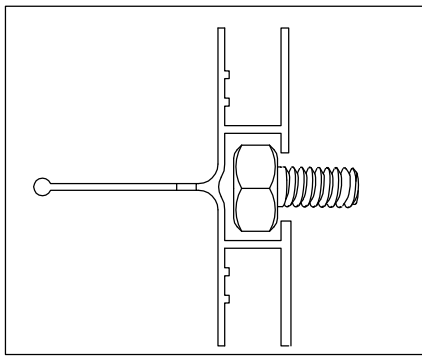
	F-06	2
	F-07	2
	F-19	4
	F-C14	8

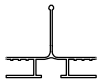
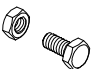


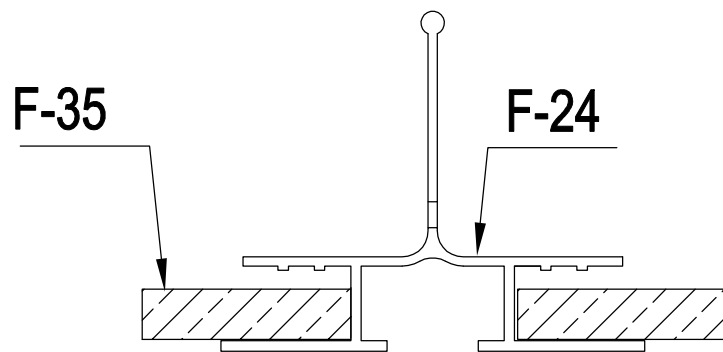
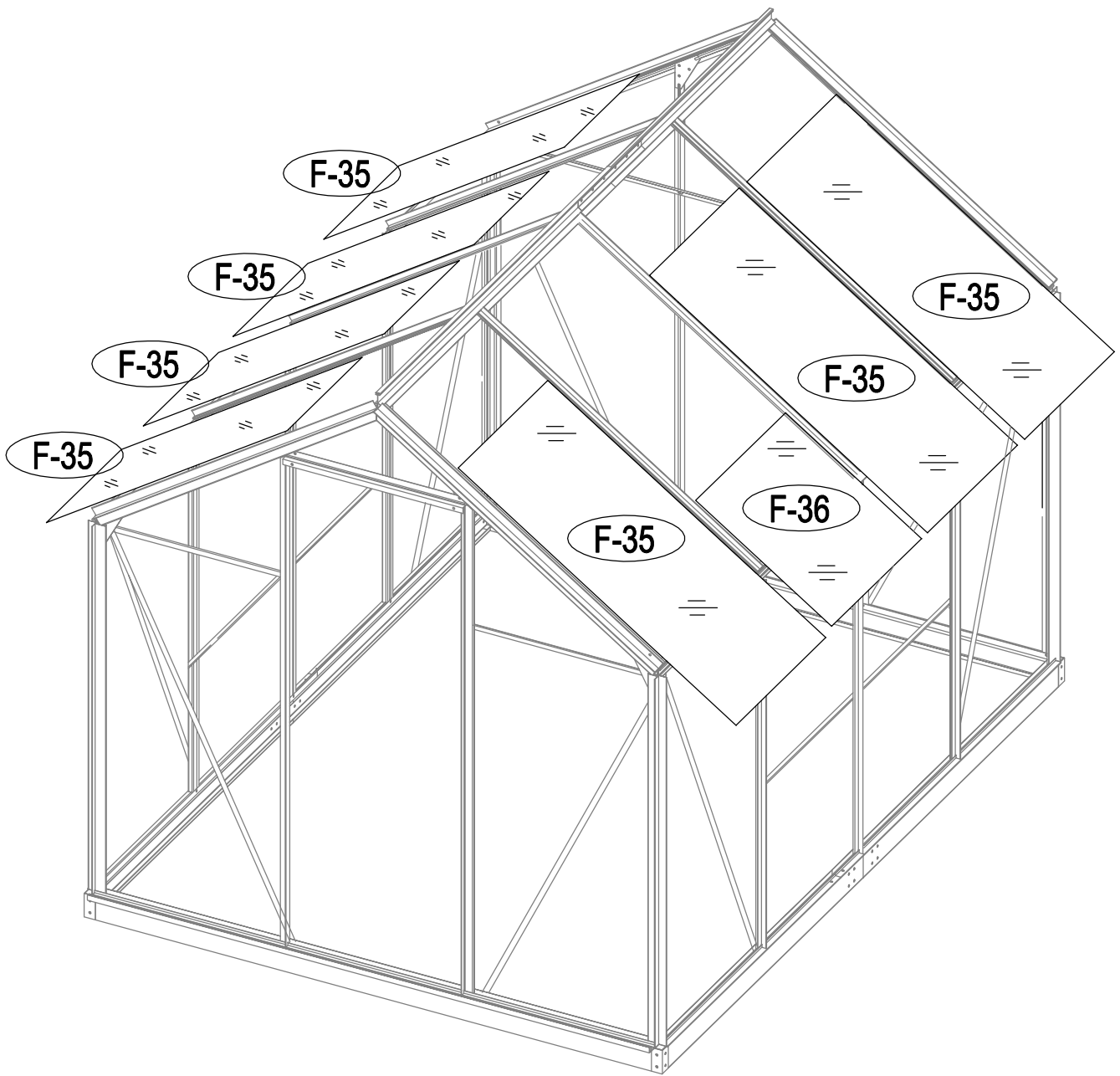
	F-C07	1
	F-C07a	1
	F-43	2
	F-C14	10


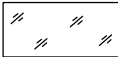


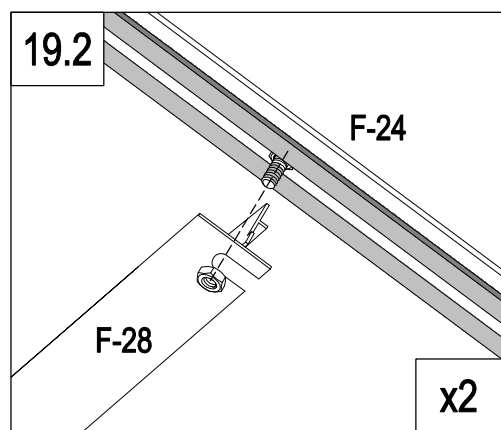
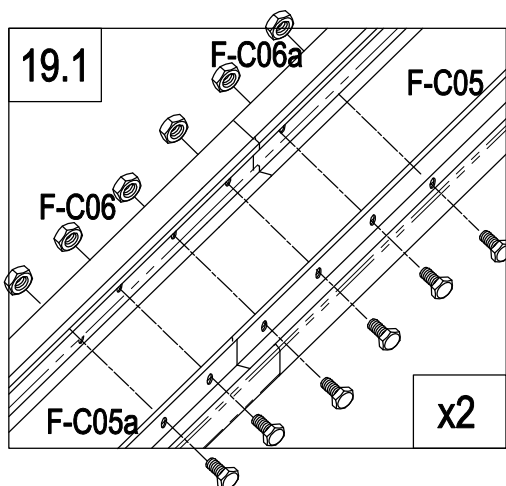
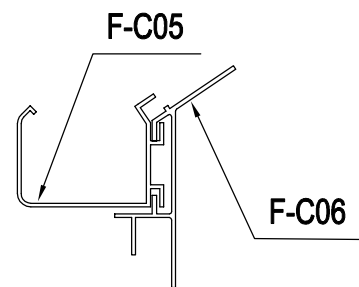
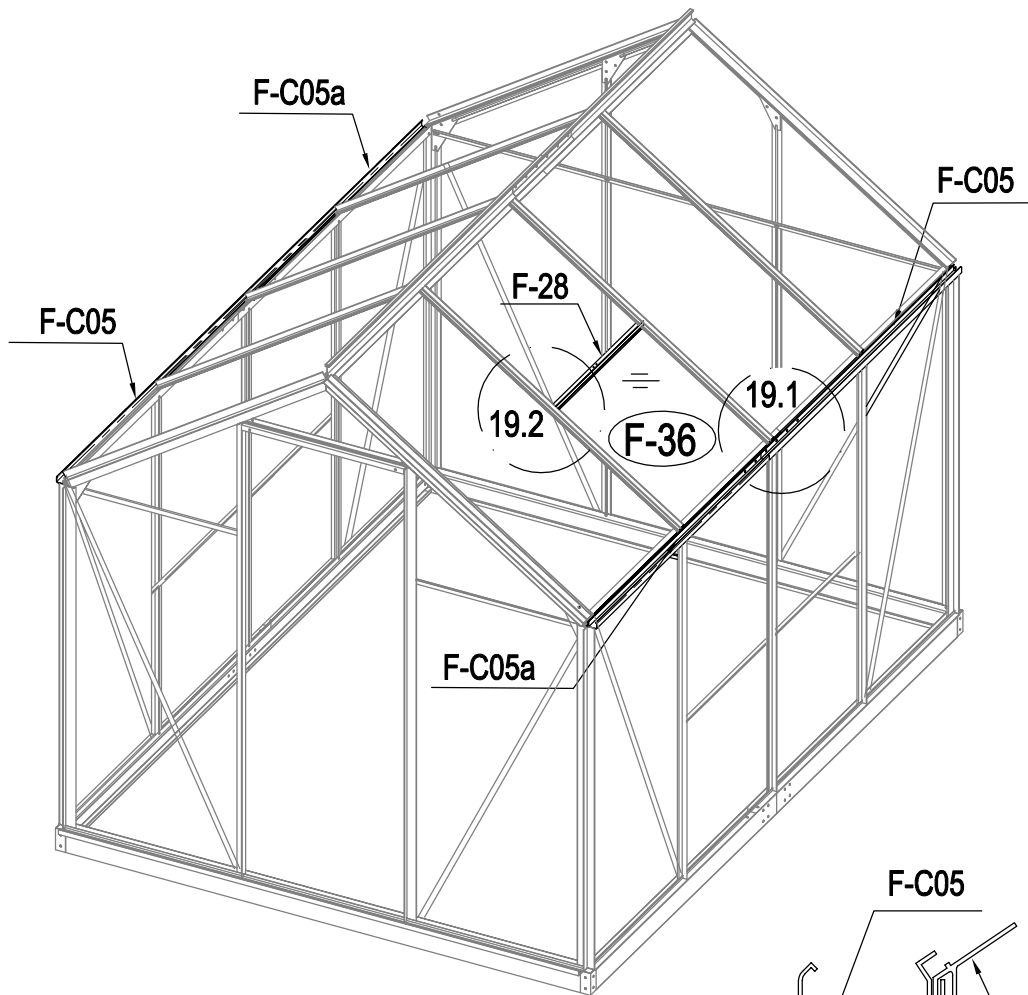
	F-12	1
	F-40	1
	F-C14	2



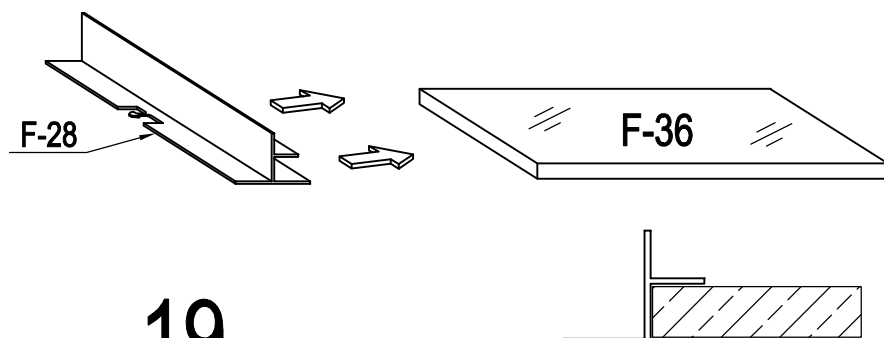
	F-24	6
	F-C14	14

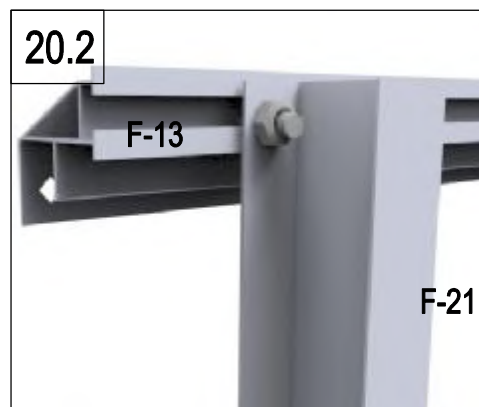
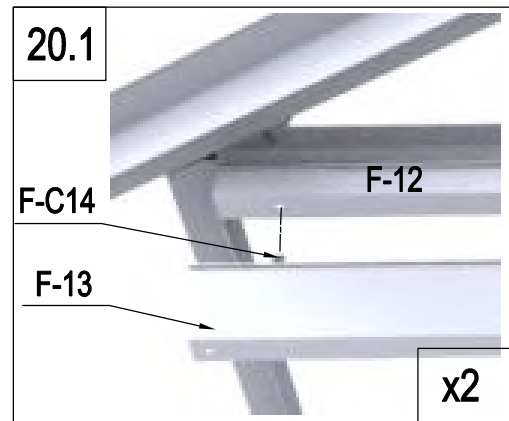
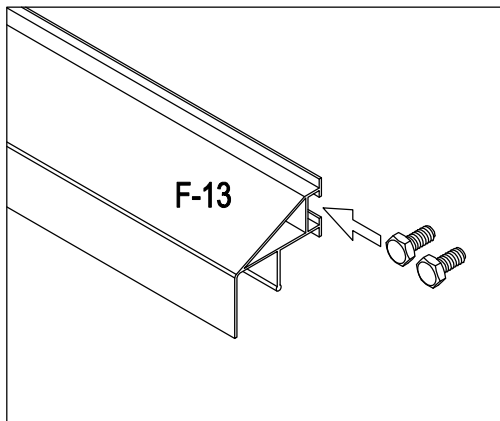
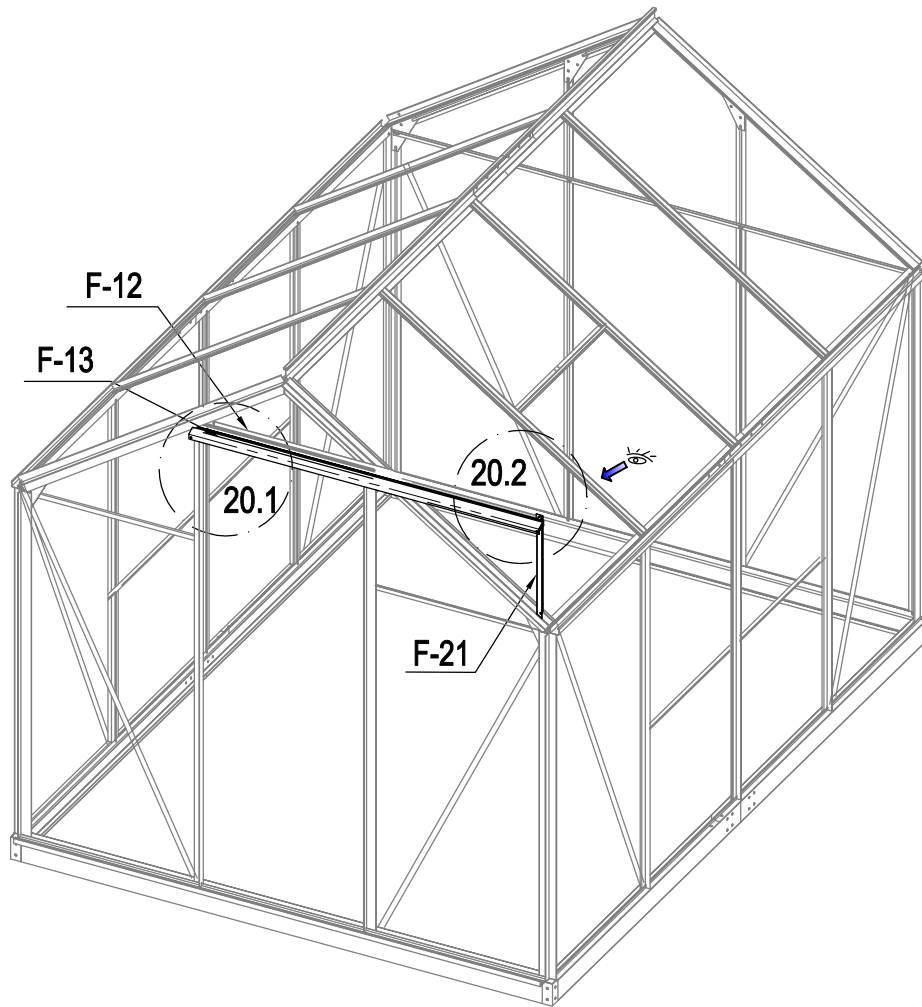



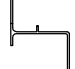
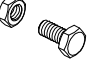
	F-36	1
	F-35	7



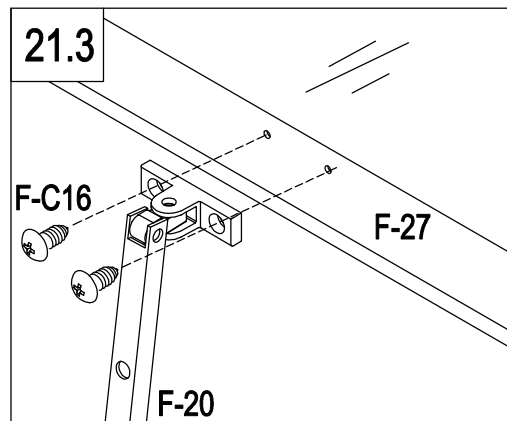
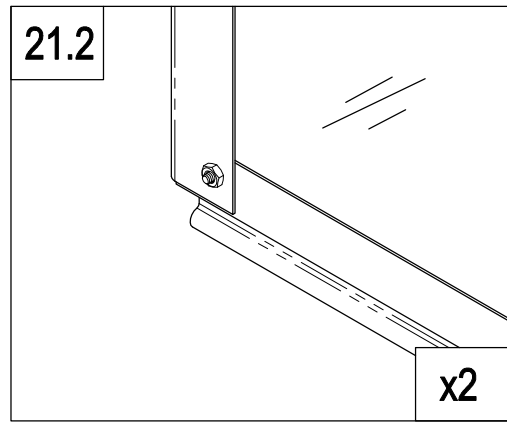
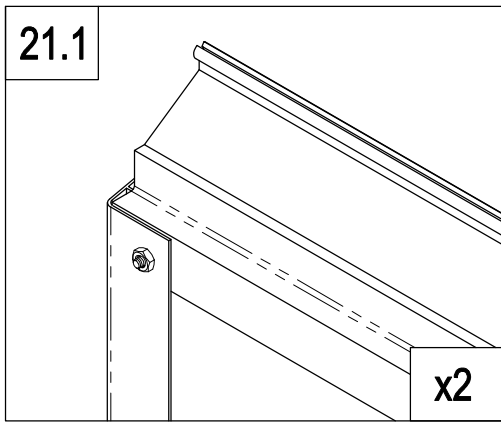
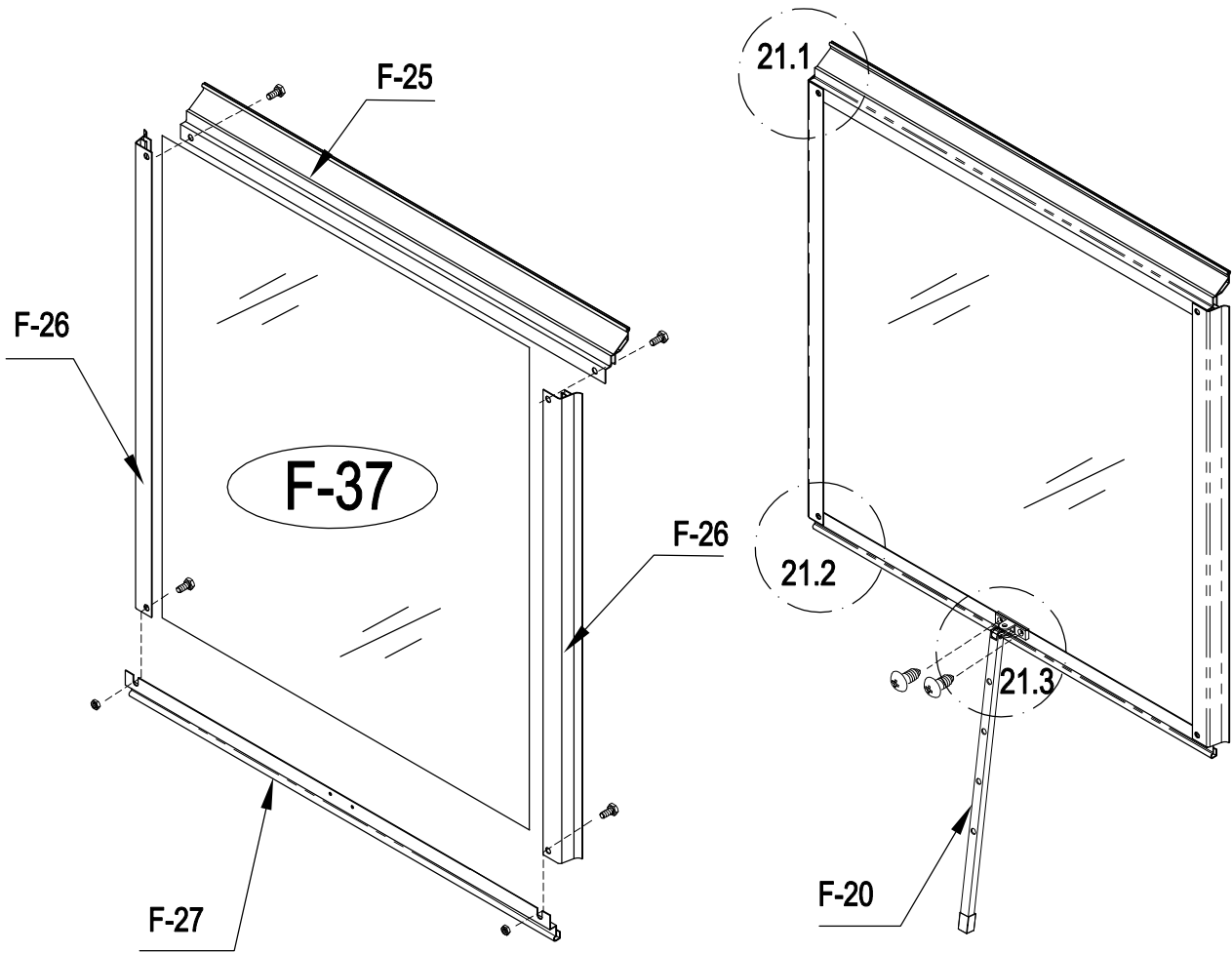
	F-28	1
	F-C05	2
	F-C05a	2
	F-C14	12




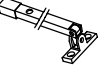


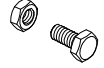


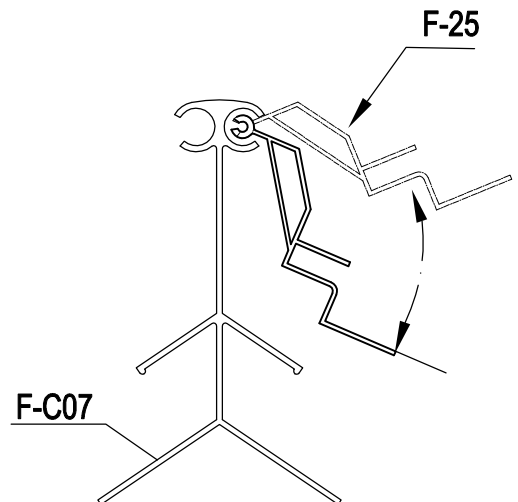
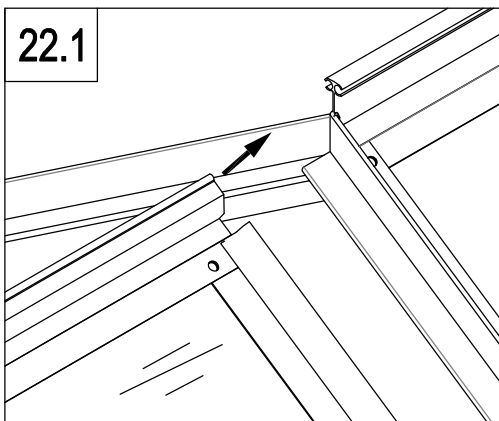
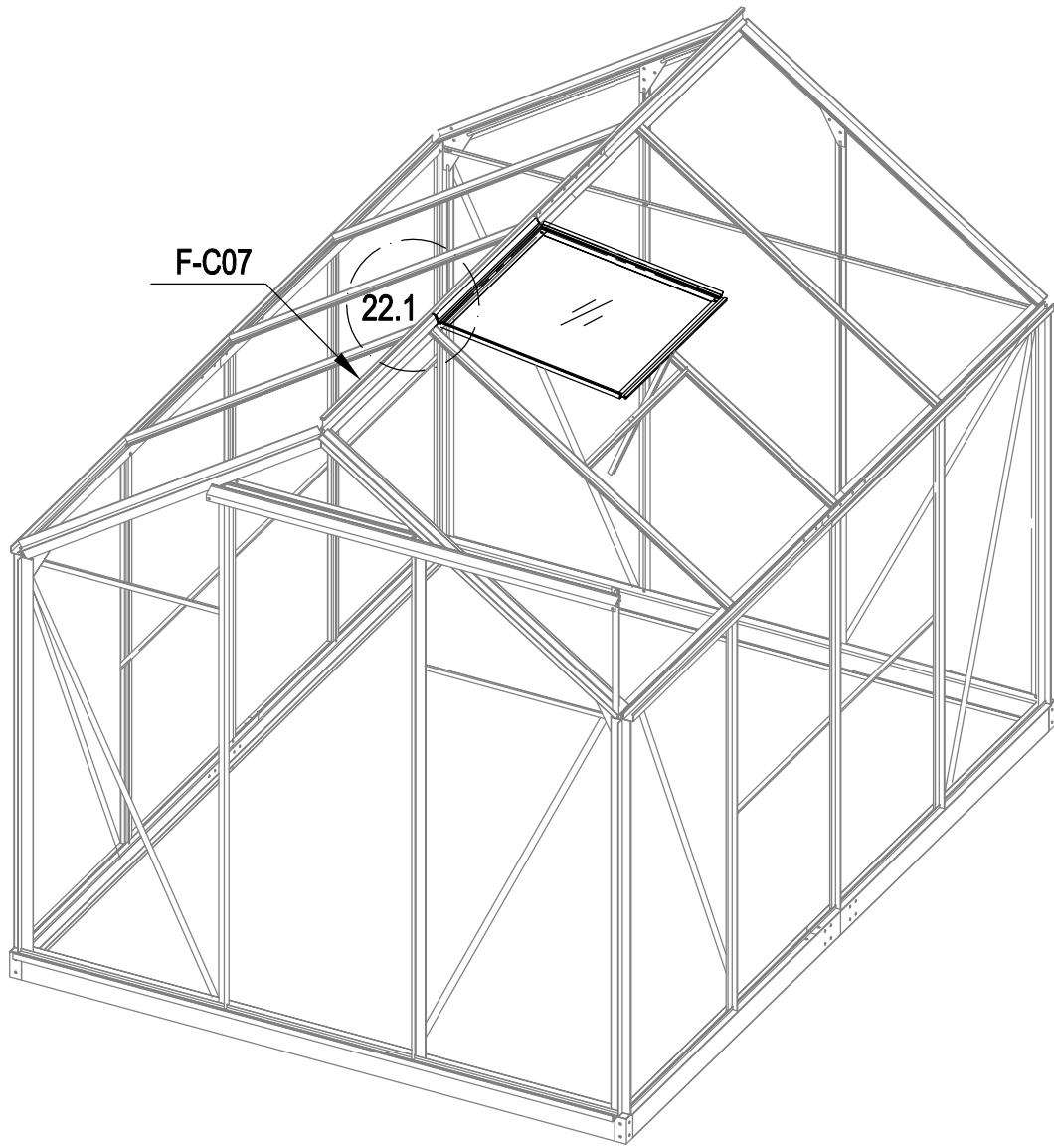


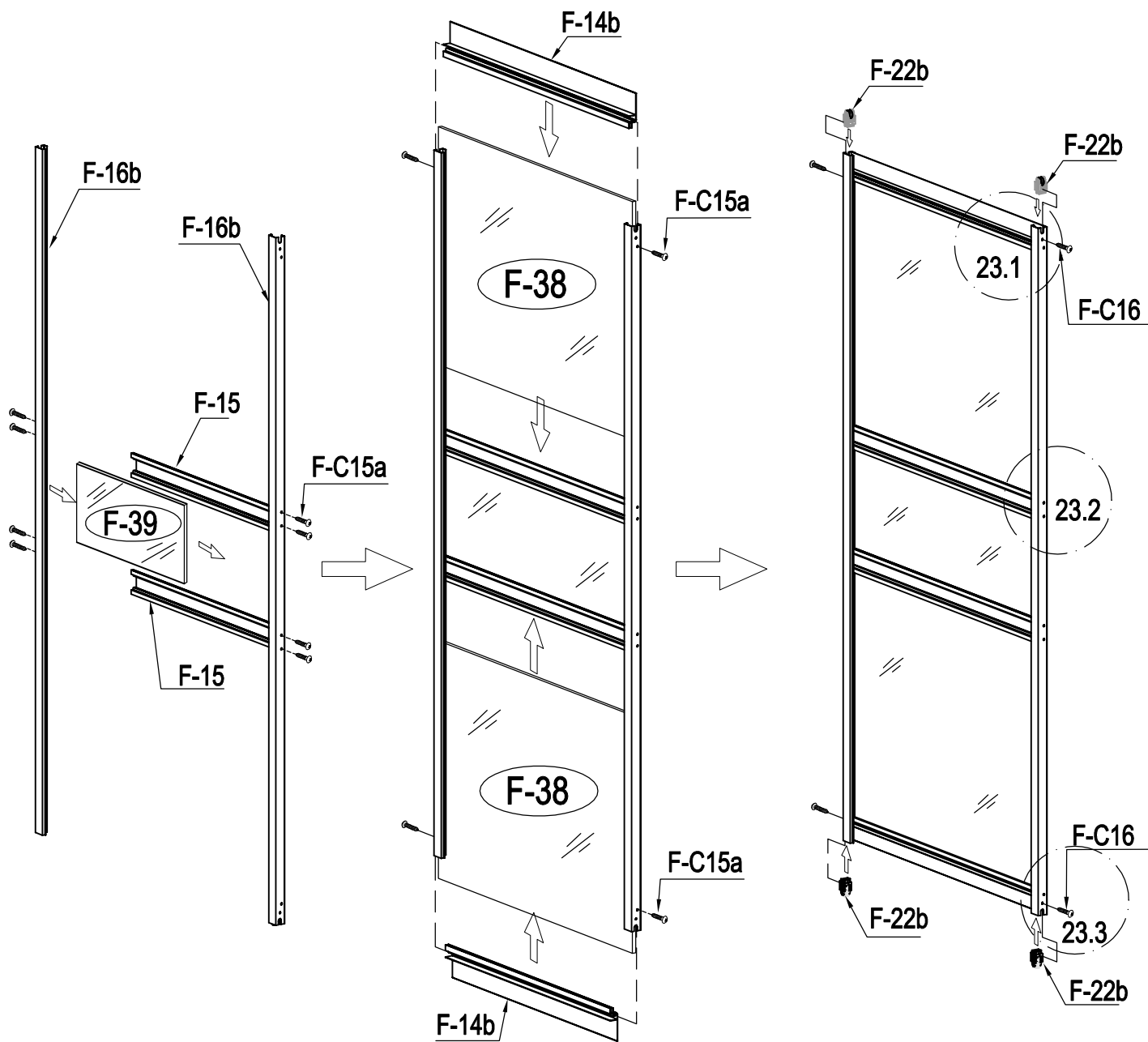
	F-13	1
	F-21	1
	F-C14	4

20

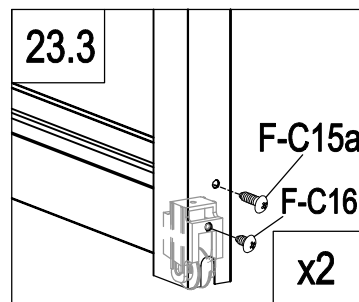
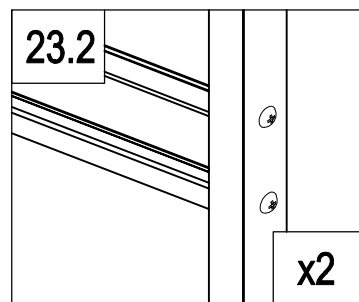
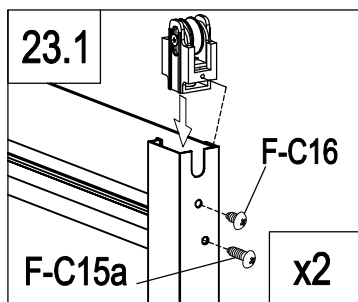


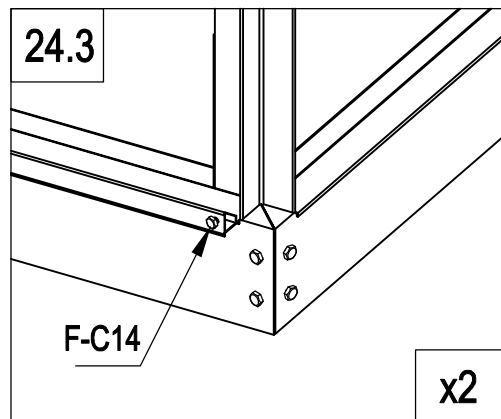
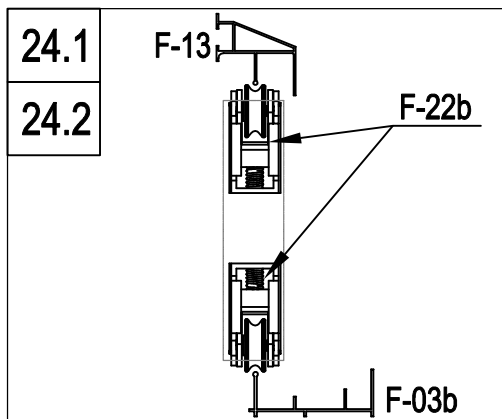
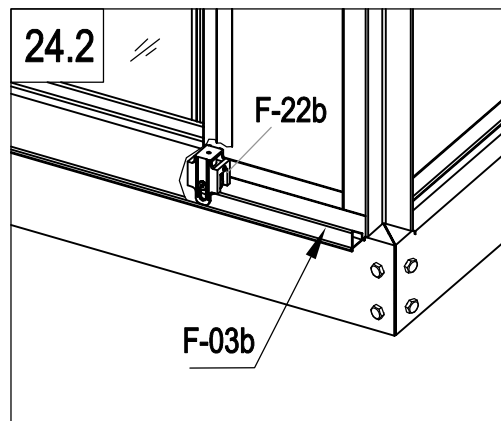
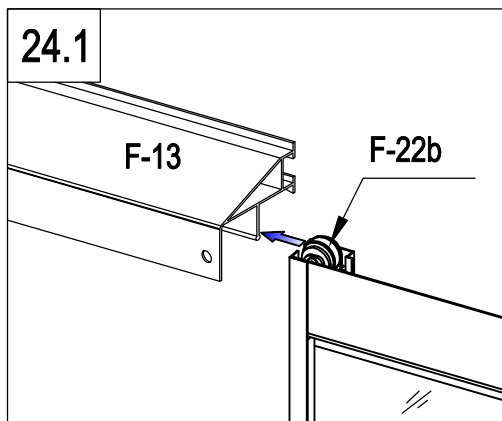
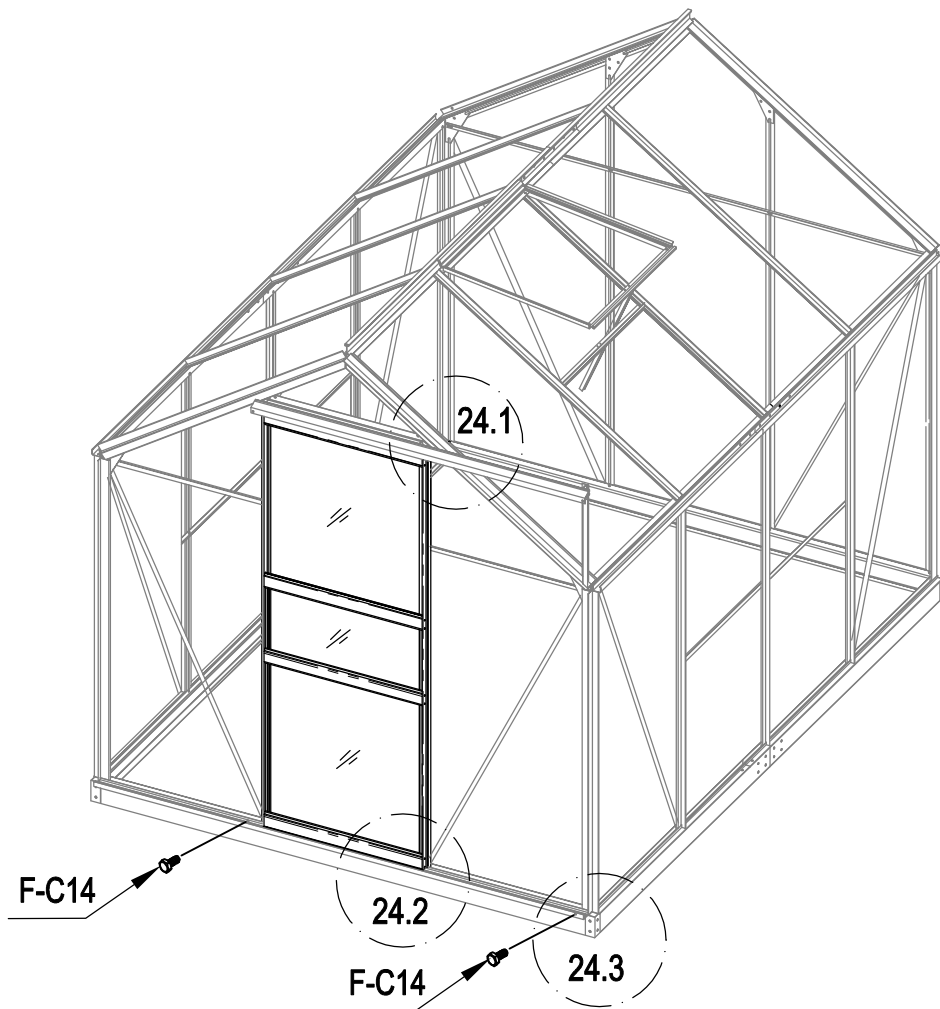
	F-25	1
	F-26	2
	F-27	1
	F-20	1
	F-37	1
	F-C16	2
	F-C14	4

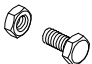


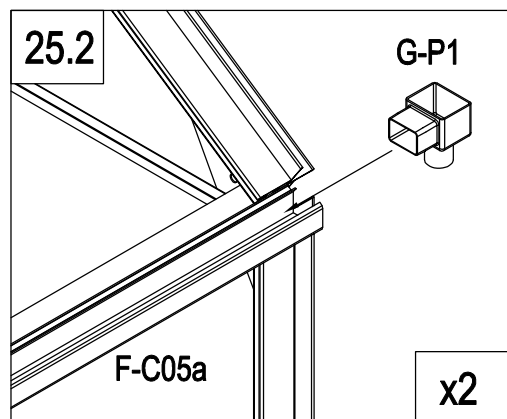
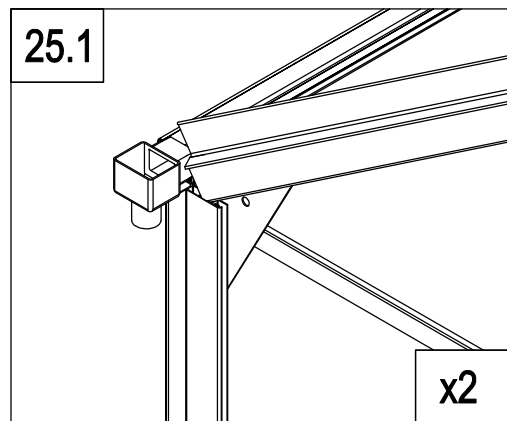
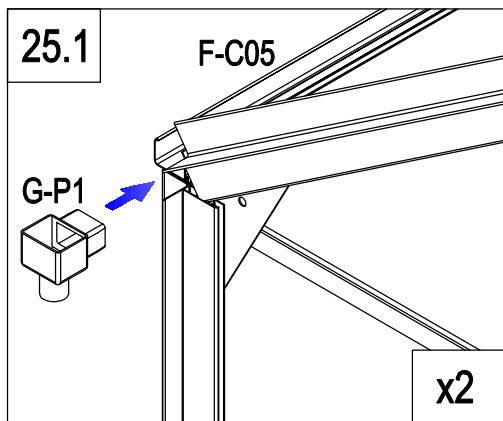
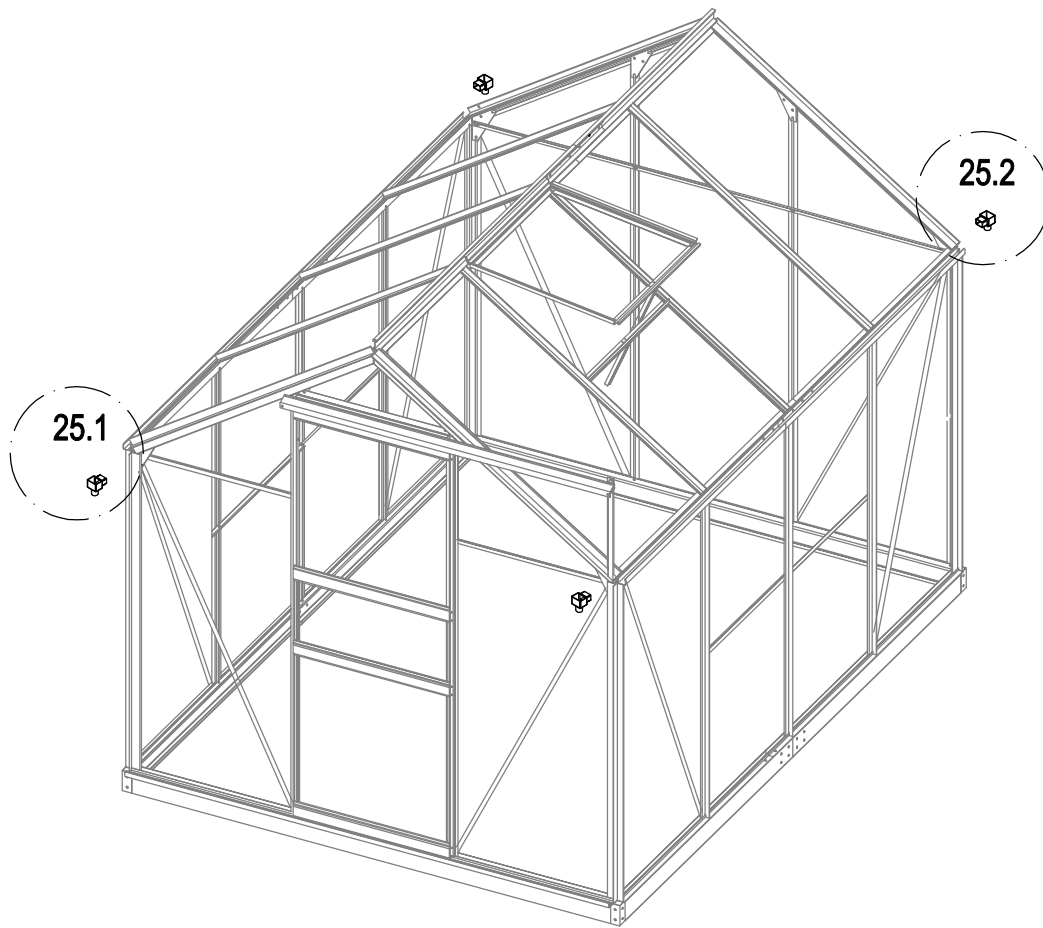


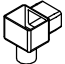
	F-38	2
	F-39	1
	F-16b	2
	F-14b	2
	F-15	2
	F-22b	4
	F-C15a	12
	F-C16	4

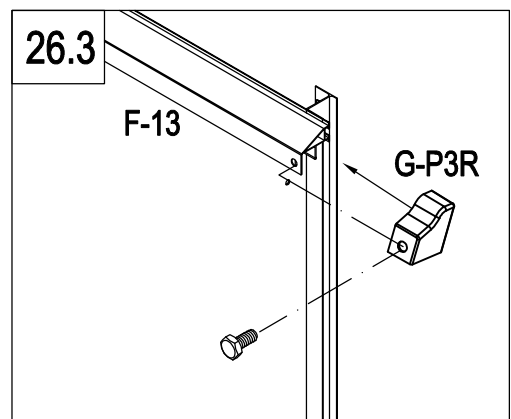
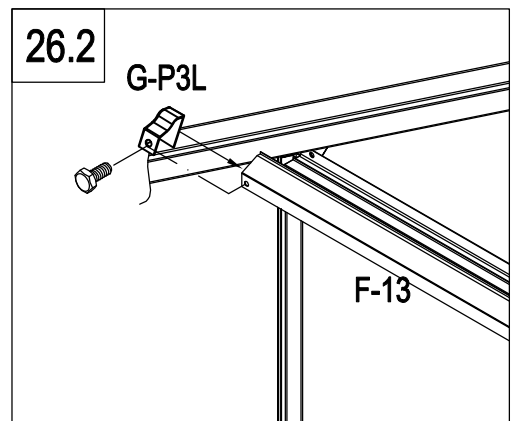
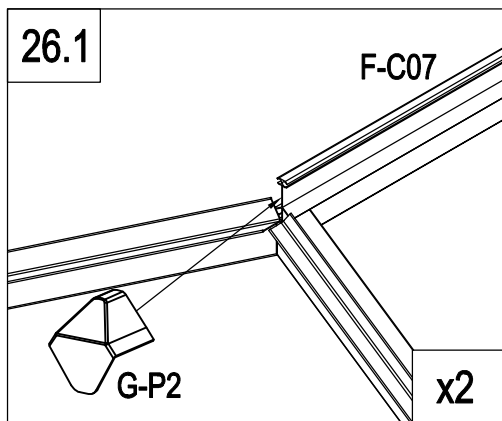
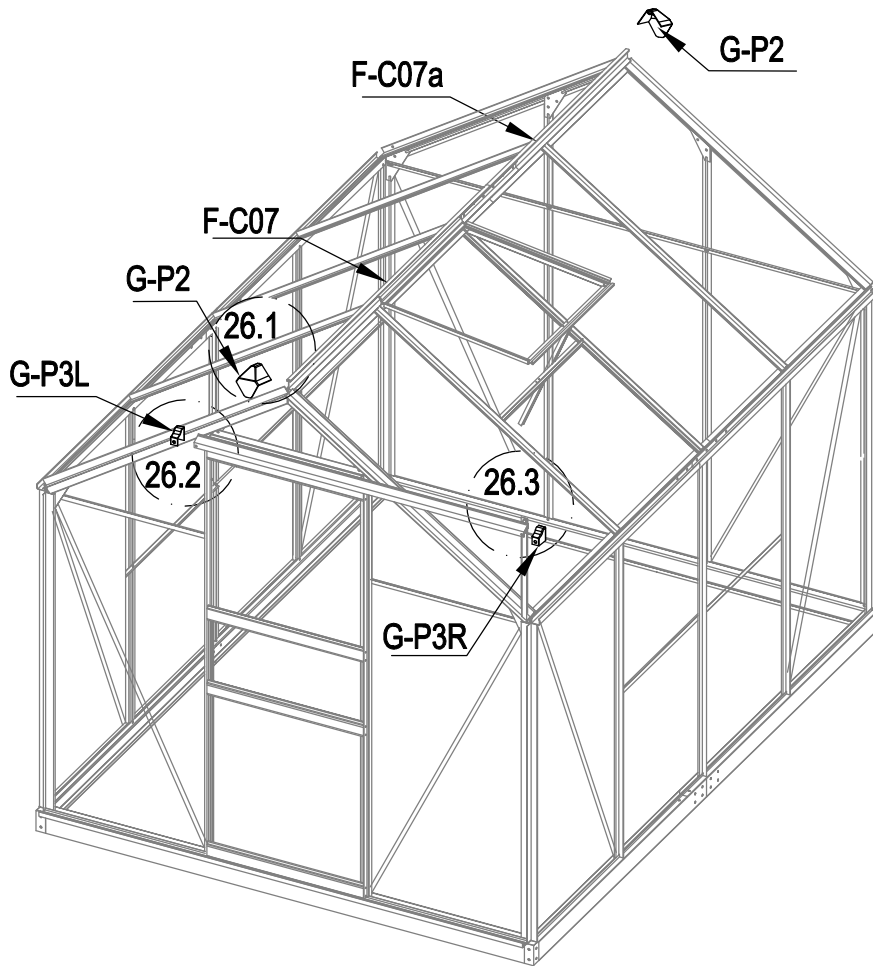




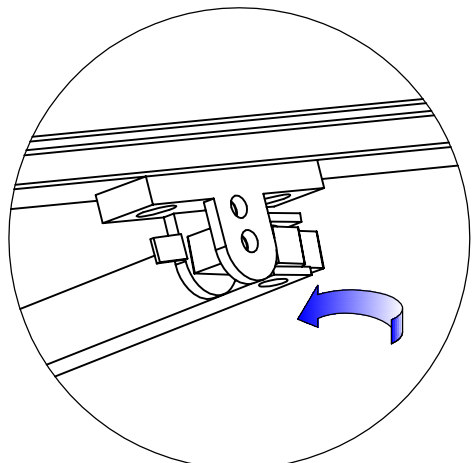
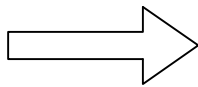
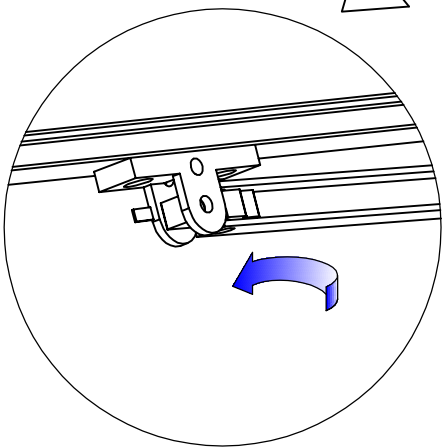
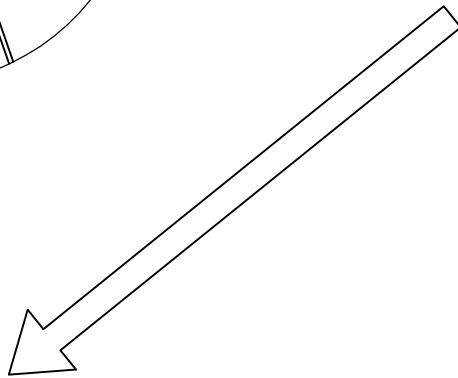
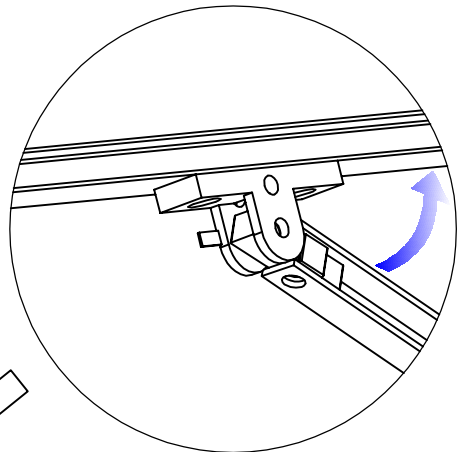
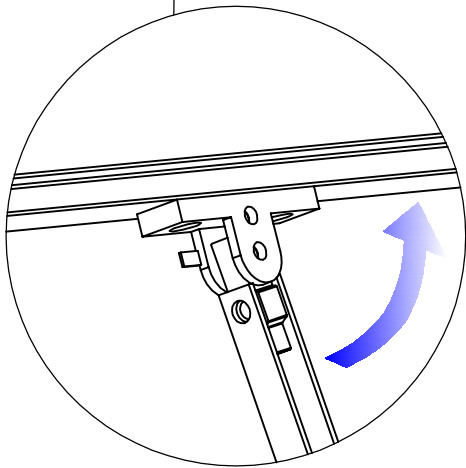
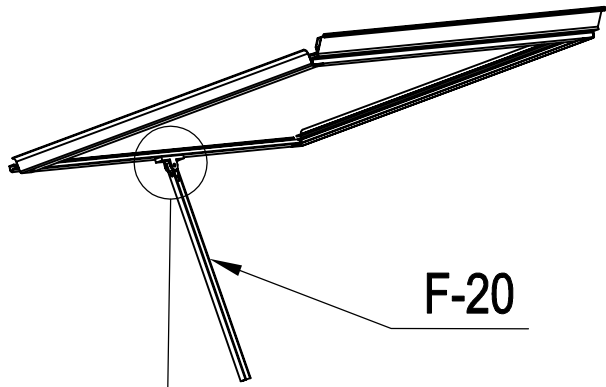
	F-C14	2
--	-------	---



	G-P1	4
---	------	---

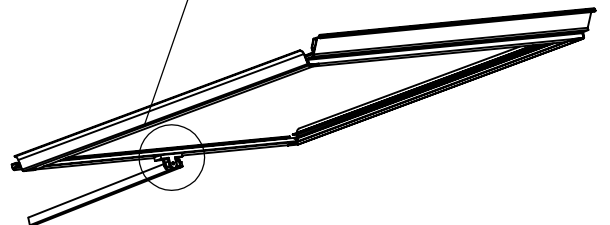


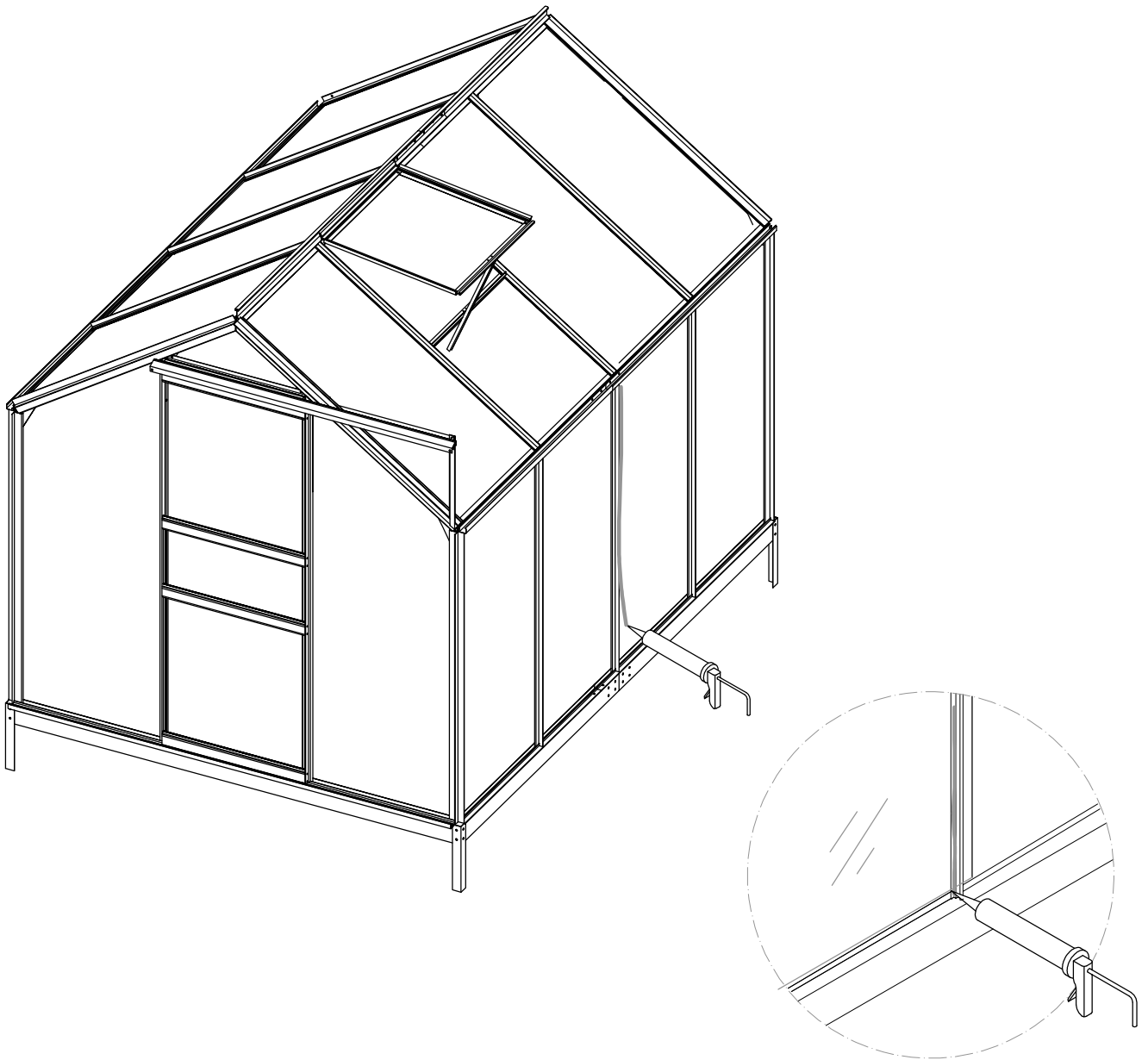
	G-P2	2
	G-P3L	1
	G-P3R	1
	F-C14	2



III

IV





Advice

It is not necessary but we would advise:

For additional strength, you can also use some glue or tapes between the polycarbonate panel and the aluminium frame to enhance the stability.

Note: Silicone sealant and glue gun are not included in our tool kit. You can buy them locally.

Only use silicone sealant suitable for aluminium

Contact information

Head office:

Dancover A/S
Lyngevej 16A, Nørre Herlev
3400 Hillerød
Denmark

For more information
please visit:

www.dancovershop.com

National contact

Denmark:

denmark@dancover.com

UK:

uk@dancover.com

Germany:

germany@dancover.com

France:

france@dancover.com

Sweden:

sverige@dancover.com

Finland:

suomi@dancover.com

Poland:

polska@dancover.com

Luxembourg:

luxembourg@dancover.com

Portugal:

portugal@dancover.com

Spain:

espana@dancover.com

Italy:

italia@dancover.com

Switzerland:

schweiz@dancover.com

Austria:

austria@dancover.com

Norway:

norge@dancover.com

Nederland:

nederland@dancover.com

Ireland:

ireland@dancover.com

Belgium:

belgique@dancover.com